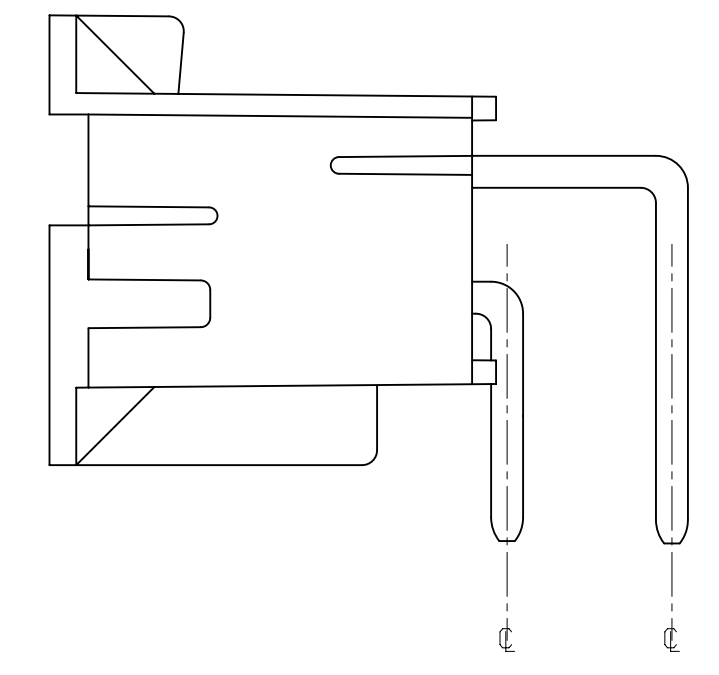
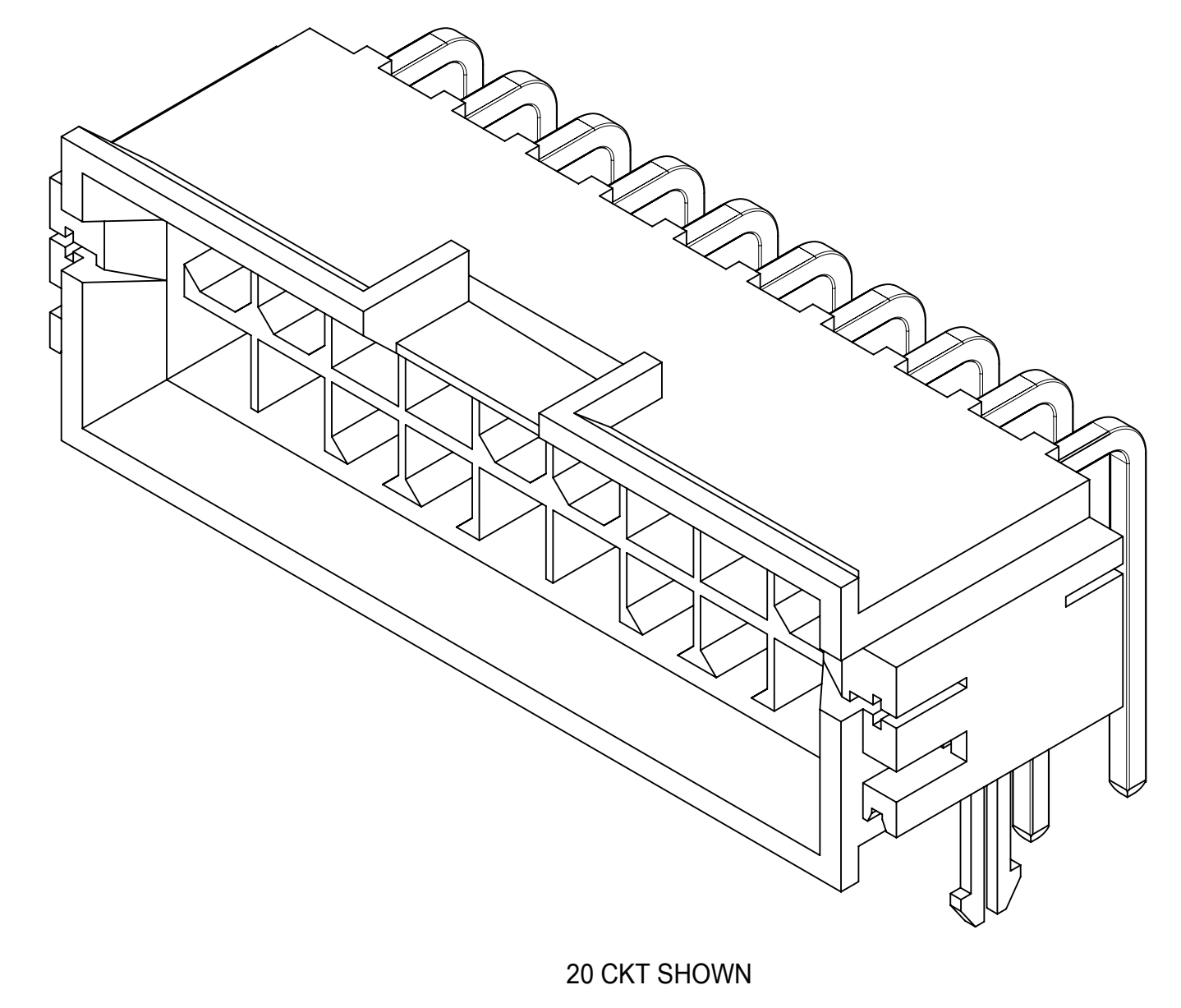


PCB LAYOUT: COMPONENT SIDE  
RECOMMENDED PCB THICKNESS: 1.60 ±0.18 / .063 ±0.007



HEADER ASSEMBLY  
WITH NO CLIP OPTION



- NOTES
- MATERIALS  
HOUSING: NYLON 4/6 UL 94V-0 GLASS FILLED, COLOR: BLACK  
TERMINAL: BRASS  
BOARD RETENTION CLIP: BRASS
  - FINISHES:  
TERMINAL:  
1.=(0.00254)/.000100 MIN. BRIGHT TIN OVER (0.00127)/.000050 MIN. NICKEL  
2.=(0.00076)/.000030 MIN. SELECT GOLD AND (0.00254)/.000100 MIN. SELECT MATTE TIN OVER (0.00127)/.000050 MIN. NICKEL OVERALL  
MOUNTING CLIP:  
(0.00254)/.000100 MIN. MATTE TIN OVER (0.00127)/.000050 MIN. NICKEL
  - PRODUCT SPECIFICATION: PS-43810-001
  - PACKAGING SPECIFICATION: PK-43810-001
  - PARTS MATES WITH MOLEX RECPACLE #5557 AND #42474 AND #44516 AND #42385 HEADER
  - PART ALLOWS FOR (1.27)/.050 MAX MIS-ALIGNMENT WITH MATING HOUSINGS IN ANY DIRECTION
  - CONNECTOR ASSEMBLIES ARE NOT TO BE MATED AND UNMATED WHILE CIRCUITS ARE LIVE
  - PARTS ARE NOT DESIGNED FOR CURRENT SHARING
  - DISCOLORATION IN THE BANDOLIER CARRIER AREA OF THE PIN IS INHERENT TO THE PLATING PROCESS AND IS DUE TO THE MASKING EFFECT OF THE CARRIER. THIS DISCOLORATION IS IN A NON-FUNCTIONAL AREA OF THE PIN AND WILL NOT AFFECT THE PERFORMANCE OF THE HEADER ASSEMBLY.
  - PART CONFORMS TO CLASS "B" REQUIREMENTS OF COSMETIC SPECIFICATION PS-45499-002
  - FORMING MARKS ARE ACCEPTABLE
  - DIMENSION DOES NOT APPLY TO PARTS WITHOUT CLIP OPTION.
  - TEXT ON PART IS FOR REFERENCE ONLY. TEXT AND TEXT LOCATION MAY VARY DEPENDING ON PART NUMBER AND/OR TOOL.

QUALITY SYMBOLS	THIS DRAWING CONTAINS INFORMATION THAT IS PROPRIETARY TO MOLEX ELECTRONIC TECHNOLOGIES, LLC AND SHOULD NOT BE USED WITHOUT WRITTEN PERMISSION		DIMENSION UNITS		SCALE		
			MM/IN		4:1		
▽ = 0	2017/04/28 2017/05/03 2017/05/05 RELEASE 8CKT EC NO. 116383 DRWN: BAPPELDORN CHKD: JBELL REV/ APPR: FSMITH	GENERAL TOLERANCES (UNLESS SPECIFIED)		DRWN BY	DATE	MINI-FIT JR BMI RIGHT ANGLE HEADER ASM. FOR 1.6/.063 THK. PCB PRODUCT CUSTOMER DRAWING	
▽ = 0		4 PLACES ±		MANLAPAZ	1997/01/06		
▽ = 0		3 PLACES ±		CHKD BY	DATE		
▽ = 0		2 PLACES ± 0.25 ± 0.014		BANDURA	1997/03/26		
▽ = 0		1 PLACES ± 0.35 ±		APPR BY	DATE		
▽ = 0	0 PLACES ±		FSMITH	2012/01/19	SERIES	MATERIAL NUMBER	CUSTOMER
⊠ = 0	ANGULAR TOL ± 0.5		DRAWING SIZE	THIRD ANGLE PROJECTION	43810	SEE CHART	GENERAL MARKET
■ = 0	DRAFT WHERE APPLICABLE MUST REMAIN WITHIN DIMENSIONS		D		DOCUMENT NUMBER	DOC TYPE	DOC PART SHEET NUMBER
▽ = 0					SD-43810-011	PSD	000 1 OF 2

MATERIAL NO.	CIRCUIT SIZE	CLIP OPTION	DIM. "A"	DIM. "B"	DIM. "C"	FINISH
43810-0001	4	YES	18.81 .740	4.20 .165	16.60 .653	1
43810-0002	6	YES	23.01 .906	8.40 .331	20.80 .819	1
43810-0003	8	YES	27.21 1.071	12.60 .496	25.00 .984	1
43810-0004	10	YES	31.41 1.237	16.80 .661	29.20 1.150	1
43810-0005	12	YES	35.61 1.402	21.00 .828	33.40 1.315	1
43810-0006	14	YES	39.81 1.567	25.20 .992	37.60 1.480	1
43810-0007	16	YES	44.01 1.733	29.40 1.157	41.80 1.646	1
43810-0008	18	YES	48.21 1.898	33.60 1.323	46.00 1.811	1
43810-0009	20	YES	52.41 2.063	37.80 1.488	50.20 1.976	1
43810-0010	22	YES	56.61 2.229	42.00 1.654	54.40 2.142	1
43810-0011	24	YES	60.81 2.394	46.20 1.819	58.60 2.307	1
43810-0012	4	YES	18.81 .740	4.20 .165	16.60 .653	2
43810-0013	6	YES	23.01 .906	8.40 .331	20.80 .819	2
43810-0014	8	YES	27.21 1.071	12.60 .496	25.00 .984	2
43810-0015	10	YES	31.41 1.237	16.80 .661	29.20 1.150	2
43810-0016	12	YES	35.61 1.402	21.00 .828	33.40 1.315	2
43810-0017	14	YES	39.81 1.567	25.20 .992	37.60 1.480	2
43810-0018	16	YES	44.01 1.733	29.40 1.157	41.80 1.646	2
43810-0019	18	YES	48.21 1.898	33.60 1.323	46.00 1.811	2
43810-0020	20	YES	52.41 2.063	37.80 1.488	50.20 1.976	2
43810-0021	22	YES	56.61 2.229	42.00 1.654	54.40 2.142	2
43810-0022	24	YES	60.81 2.394	46.20 1.819	58.60 2.307	2

N = NOT TOOLED

MATERIAL NO.	CIRCUIT SIZE	CLIP OPTION	DIM. "A"	DIM. "B"	DIM. "C"	FINISH
43810-0199	4	NO	18.81 .740	4.20 .165	16.60 .653	1
43810-0200	6	NO	23.01 .906	8.40 .331	20.80 .819	1
43810-0201	8	NO	27.21 1.071	12.60 .496	25.00 .984	1
43810-0202	10	NO	31.41 1.237	16.80 .661	29.20 1.150	1
43810-0203	12	NO	35.61 1.402	21.00 .828	33.40 1.315	1
43810-0204	14	NO	39.81 1.567	25.20 .992	37.60 1.480	1
43810-0205	16	NO	44.01 1.733	29.40 1.157	41.80 1.646	1
43810-0206	18	NO	48.21 1.898	33.60 1.323	46.00 1.811	1
43810-0207	20	NO	52.41 2.063	37.80 1.488	50.20 1.976	1
43810-0208	22	NO	56.61 2.229	42.00 1.654	54.40 2.142	1
43810-0209	24	NO	60.81 2.394	46.20 1.819	58.60 2.307	1
43810-0210	4	NO	18.81 .740	4.20 .165	16.60 .653	2
43810-0211	6	NO	23.01 .906	8.40 .331	20.80 .819	2
43810-0212	8	NO	27.21 1.071	12.60 .496	25.00 .984	2
43810-0213	10	NO	31.41 1.237	16.80 .661	29.20 1.150	2
43810-0214	12	NO	35.61 1.402	21.00 .828	33.40 1.315	2
43810-0215	14	NO	39.81 1.567	25.20 .992	37.60 1.480	2
43810-0216	16	NO	44.01 1.733	29.40 1.157	41.80 1.646	2
43810-0217	18	NO	48.21 1.898	33.60 1.323	46.00 1.811	2
43810-0218	20	NO	52.41 2.063	37.80 1.488	50.20 1.976	2
43810-0219	22	NO	56.61 2.229	42.00 1.654	54.40 2.142	2
43810-0220	24	NO	60.81 2.394	46.20 1.819	58.60 2.307	2

N = NOT TOOLED

<b>QUALITY SYMBOLS</b> 	THIS DRAWING CONTAINS INFORMATION THAT IS PROPRIETARY TO MOLEX ELECTRONIC TECHNOLOGIES, LLC AND SHOULD NOT BE USED WITHOUT WRITTEN PERMISSION											
	GENERAL TOLERANCES (UNLESS SPECIFIED)				DIMENSION UNITS		SCALE					
	MM		INCH		MM/IN		1:1					
	4 PLACES ± ±				DRWN BY		DATE		<b>MINI-FIT JR BMI</b> <b>RIGHT ANGLE HEADER ASM. FOR 1.6/.063 THK. PCB</b>			
	3 PLACES ± ± 0.01				MANLAPAZ		1997/01/06					
	2 PLACES ± 0.25 ± 0.014				CHKD BY		DATE					
	1 PLACES ± 0.35 ±				BANDURA		1997/03/26		<b>PRODUCT CUSTOMER DRAWING</b>			
	0 PLACES ± ±				APPR BY		DATE					
	ANGULAR TOL ± 0.5				FSMITH		2012/01/19		SERIES: 43810    MATERIAL NUMBER: SEE CHART    CUSTOMER: GENERAL MARKET			
	DRAFT WHERE APPLICABLE MUST REMAIN WITHIN DIMENSIONS				DRAWING SIZE		THIRD ANGLE PROJECTION		DOCUMENT NUMBER: SD-43810-011    DOC TYPE: PSD    DOC PART: 000    SHEET NUMBER: 2 OF 2			
				D								