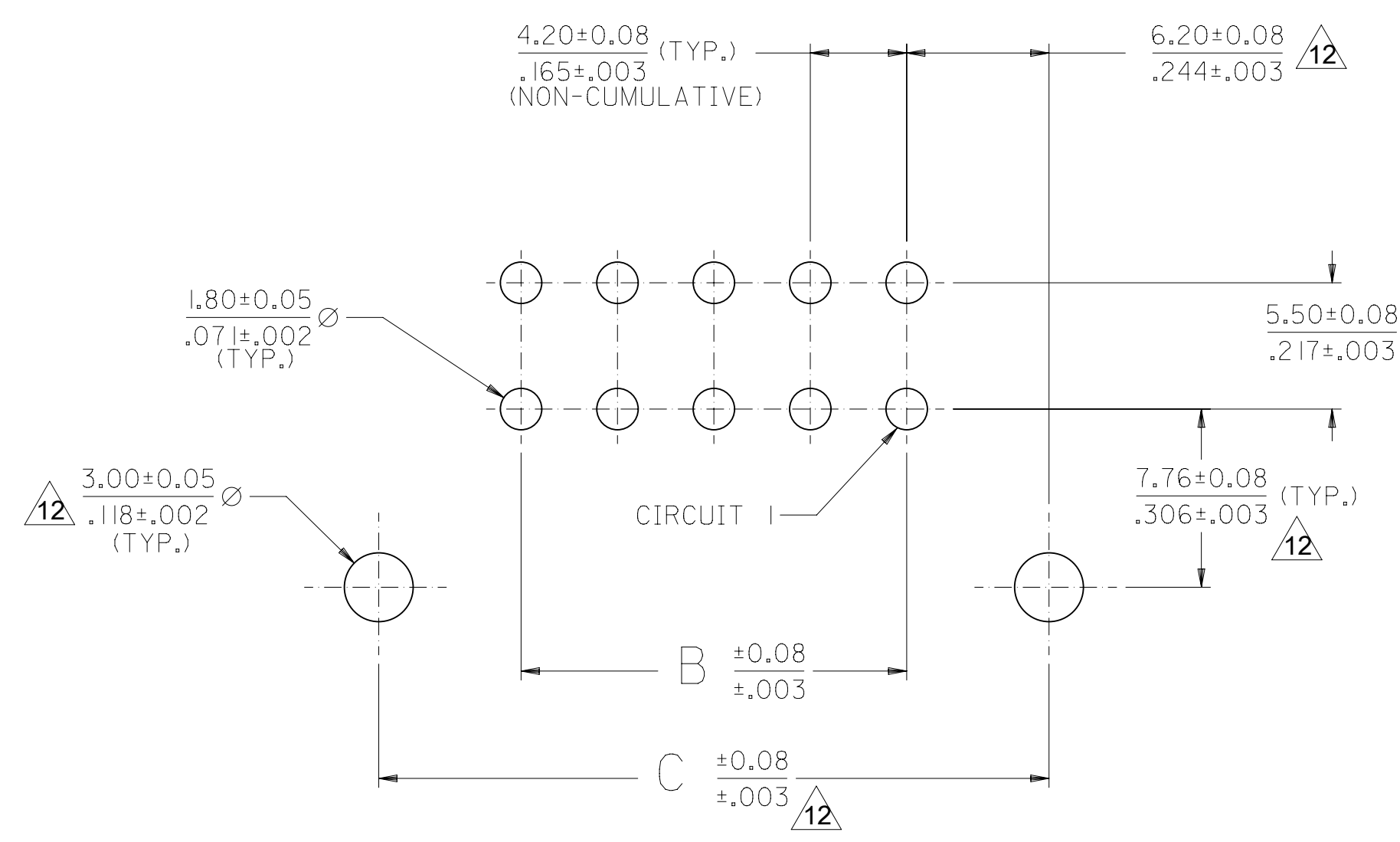
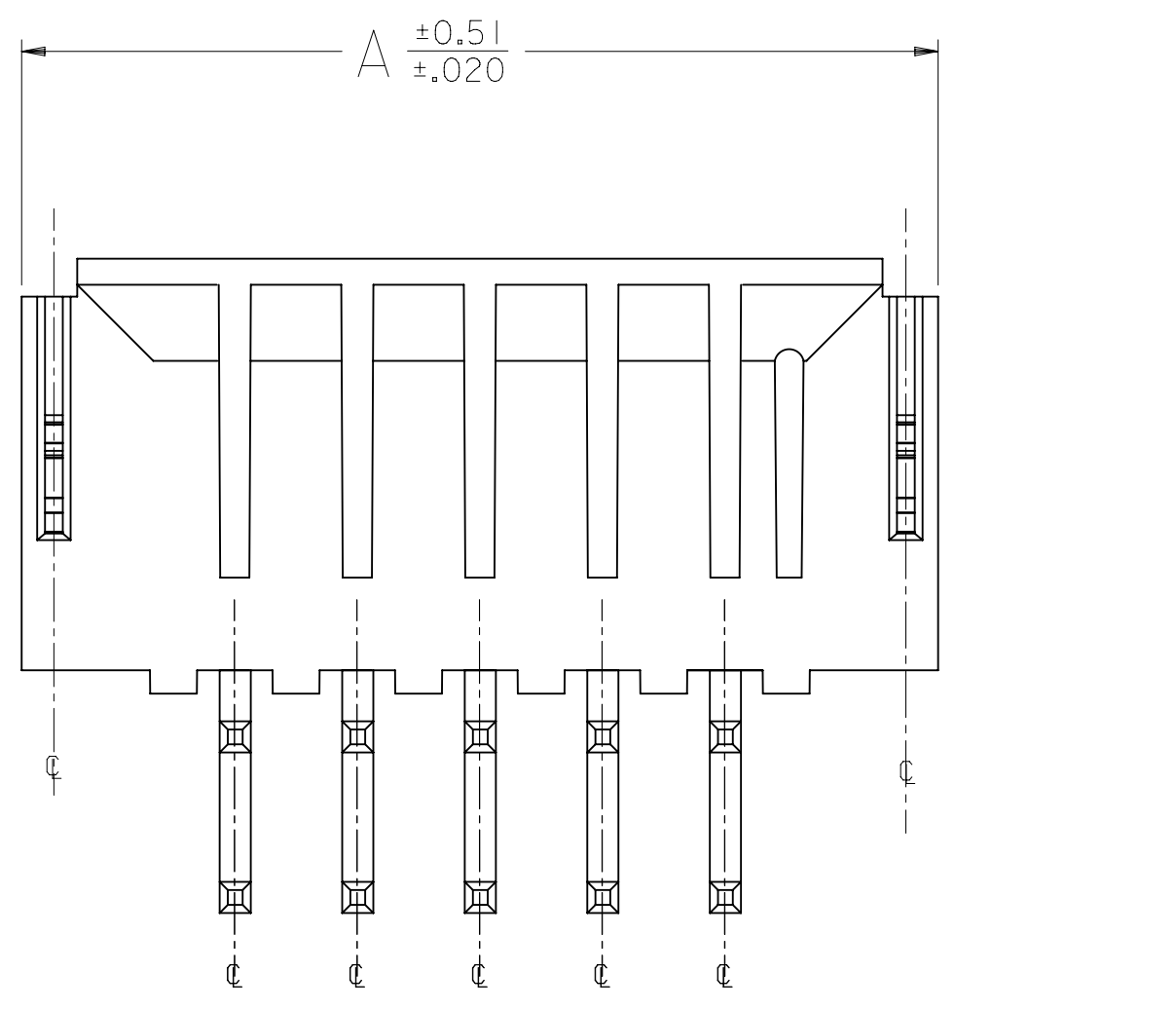
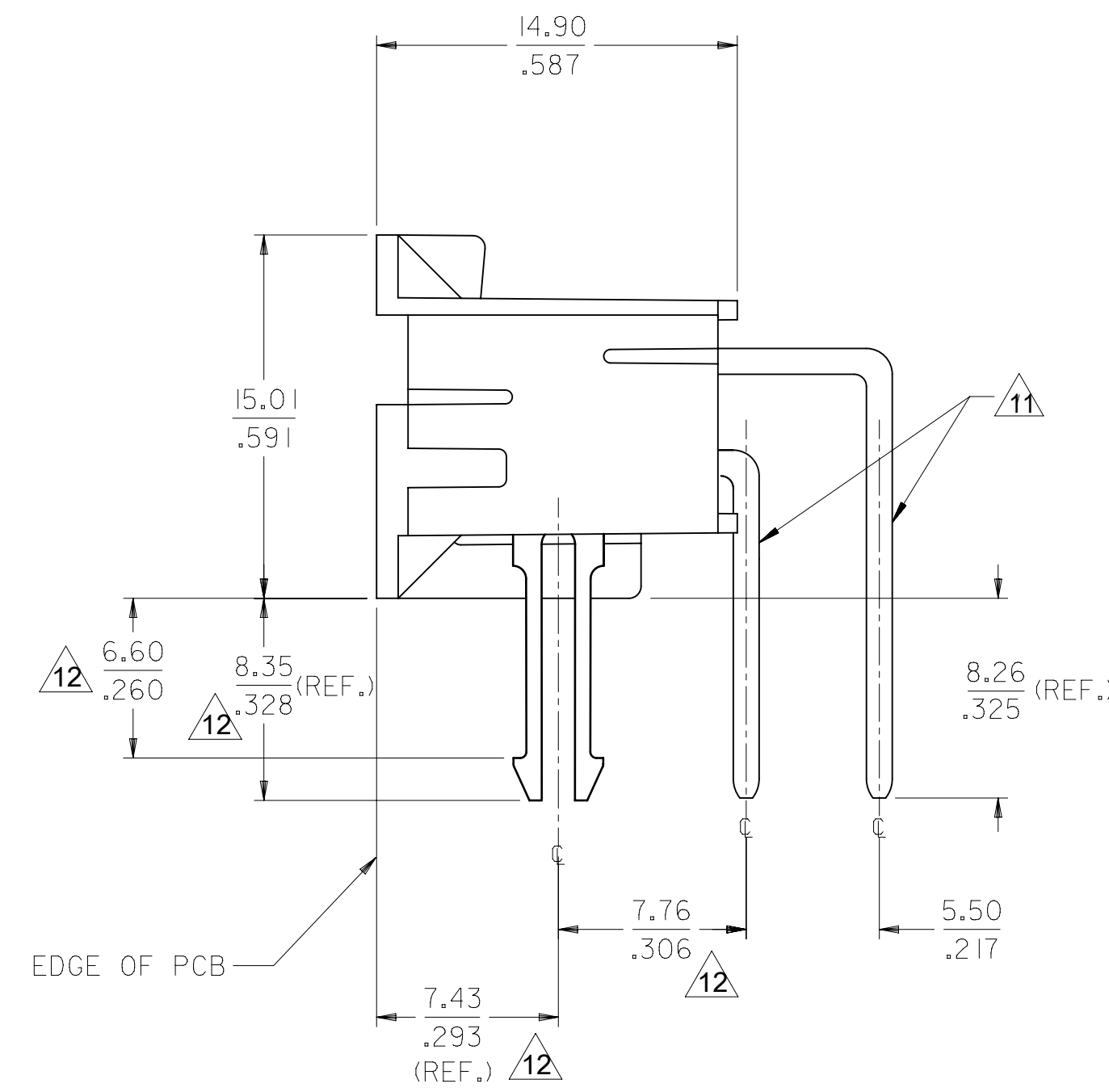
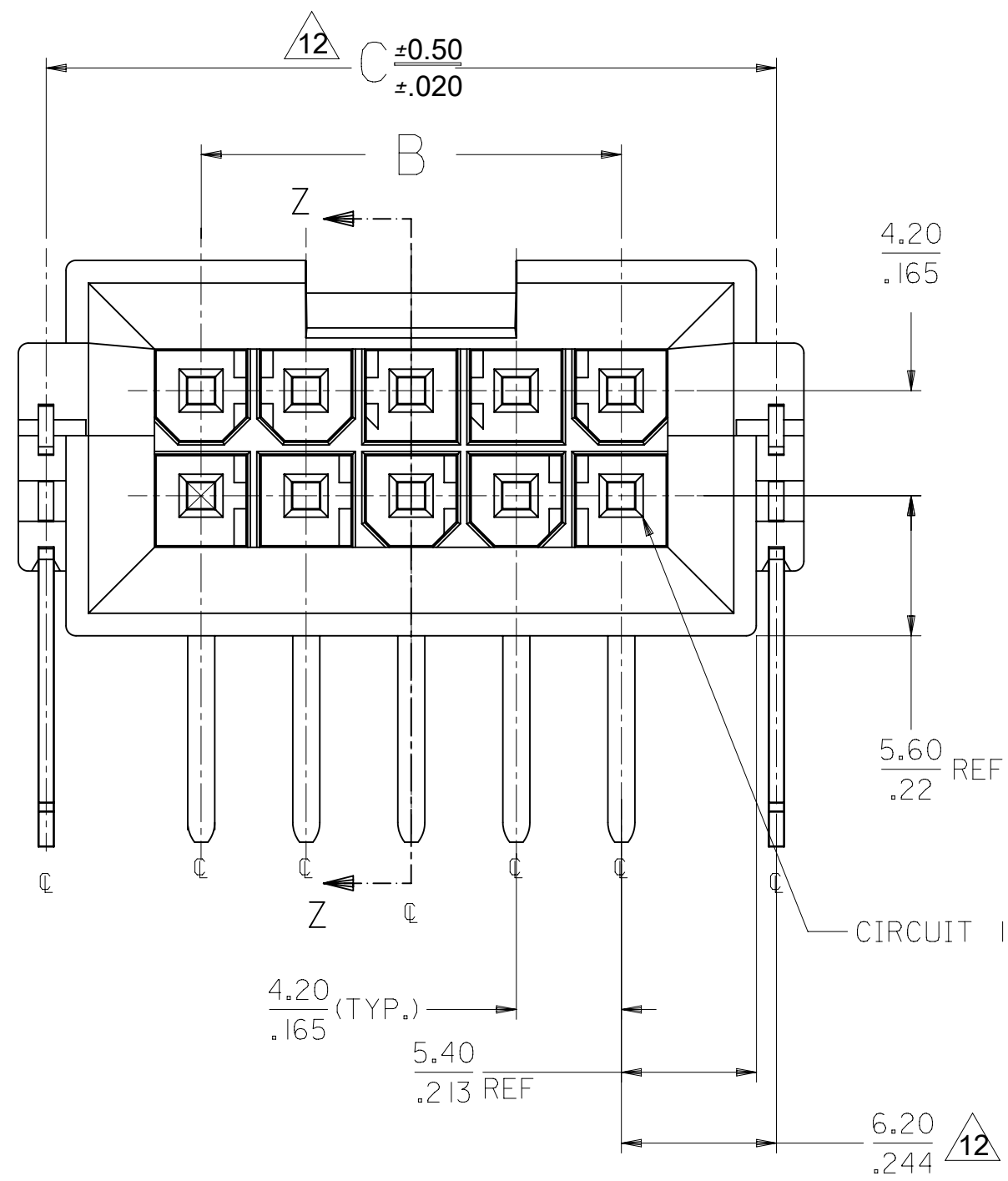
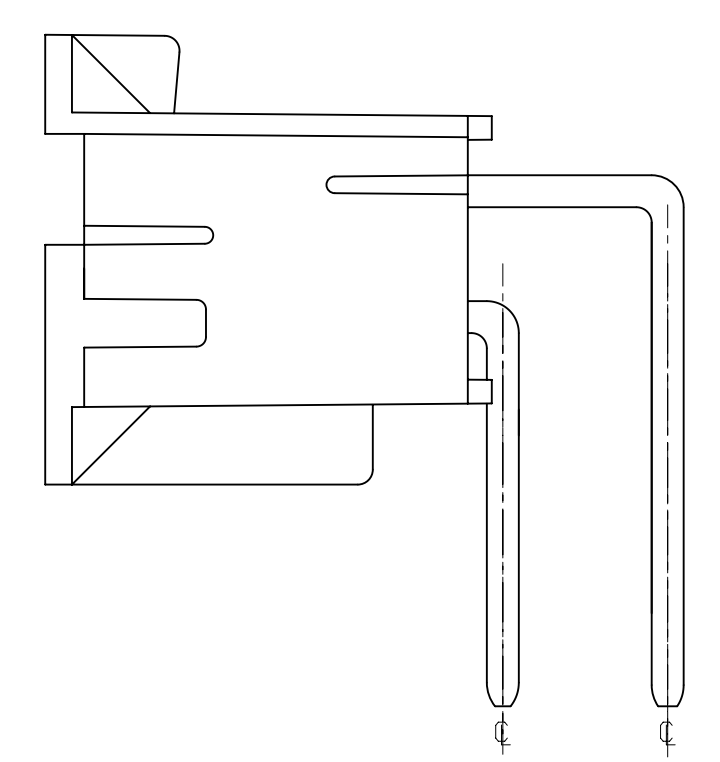


NOTES

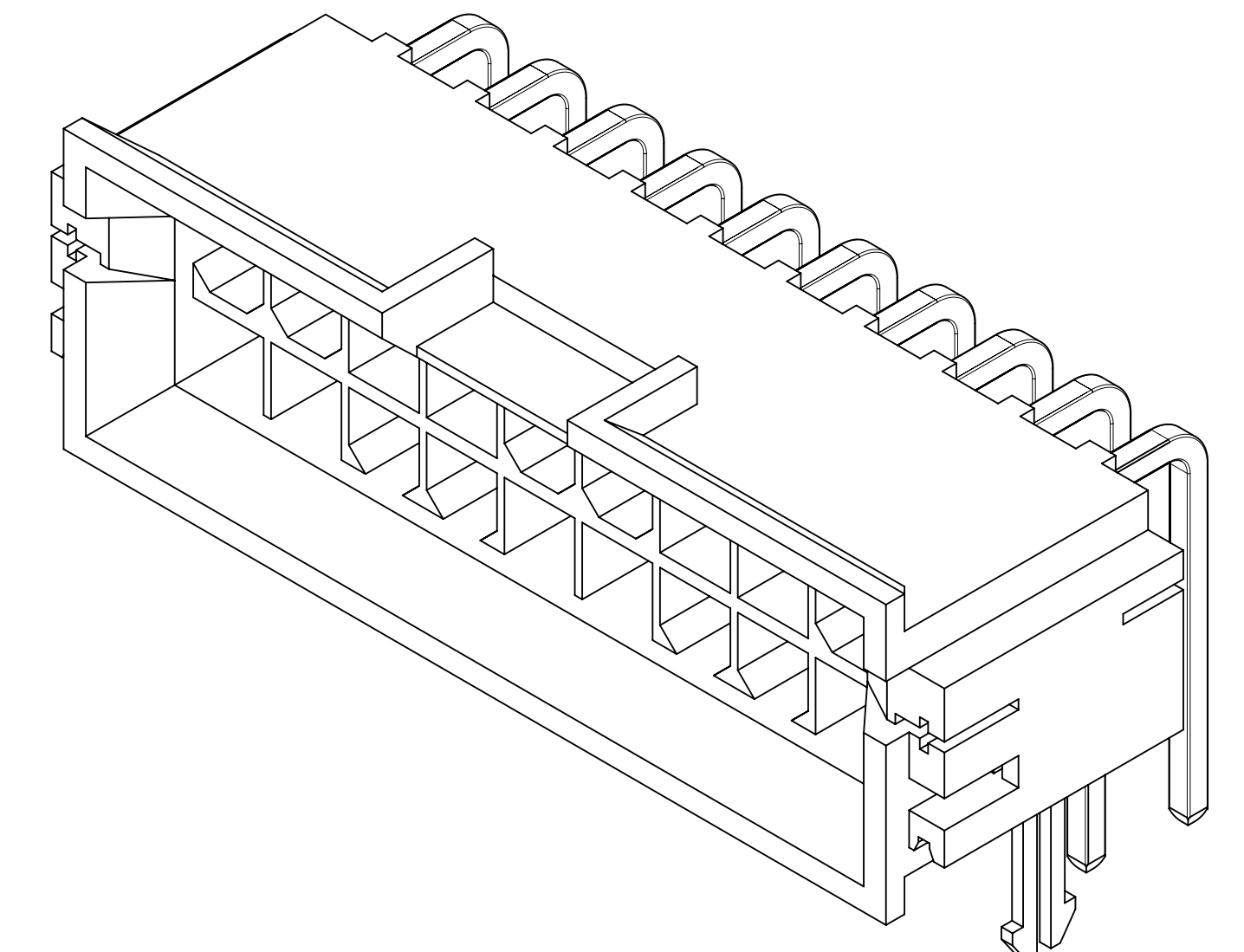
- 1) MATERIALS
HOUSING: NYLON 4/6 UL 94V-0 GLASS FILLED, COLOR: BLACK
TERMINAL: BRASS
BOARD RETENTION CLIP: BRASS
- 2) FINISHES:
TERMINAL:
1.=(0.00254)/.000100 MIN. BRIGHT TIN OVER
(0.00127)/.000050 MIN. NICKEL
2.=(0.00076)/.000030 MIN. SELECT GOLD AND
(0.00254)/.000100 MIN. SELECT MATTE TIN
OVER (0.00127)/.000050 MIN. NICKEL OVERALL
MOUNTING CLIP:
(0.00254)/.000100 MIN. MATTE TIN OVER
(0.00127)/.000050 MIN. NICKEL
- 3) PRODUCT SPECIFICATION: PS-43810-001
- 4) PACKAGING SPECIFICATION: PK-43810-001
- 5) PARTS MATES WITH MOLEX RECPTACLE #5557 AND #42474 AND #44516 AND #42385 HEADER
- 6) PART ALLOWS FOR (1.27)/.050 MAX MIS-ALIGNMENT WITH MATING HOUSINGS IN ANY DIRECTION
- 7) CONNECTOR ASSEMBLIES ARE NOT TO BE MATED AND UNMATED WHILE CIRCUITS ARE LIVE
- 8) PARTS ARE NOT DESIGNED FOR CURRENT SHARING
- 9) DISCOLORATION IN THE BANDOLIER CARRIER AREA OF THE PIN IS INHERENT TO THE PLATING PROCESS AND IS DUE TO THE MASKING EFFECT OF THE CARRIER. THIS DISCOLORATION IS IN A NON-FUNCTIONAL AREA OF THE PIN AND WILL NOT AFFECT THE PERFORMANCE OF THE HEADER ASSEMBLY.
- 10) PART CONFORMS TO CLASS "B" REQUIREMENTS OF COSMETIC SPECIFICATION PS-45499-002
- 11) FORMING MARKS ARE ACCEPTABLE
- 12) DIMENSION DOES NOT APPLY TO PARTS WITHOUT CLIP OPTION.
- 13) TEXT ON PART IS FOR REFERENCE ONLY. TEXT AND TEXT LOCATION MAY VARY DEPENDING ON PART NUMBER AND/OR TOOL.



PCB LAYOUT: COMPONENT SIDE
RECOMMENDED PCB THICKNESS: 6.35 ±0.18 / .250 ±0.007



HEADER ASSEMBLY WITH NO CLIP OPTION



20 CKT SHOWN

QUALITY SYMBOLS	THIS DRAWING CONTAINS INFORMATION THAT IS PROPRIETARY TO MOLEX ELECTRONIC TECHNOLOGIES, LLC AND SHOULD NOT BE USED WITHOUT WRITTEN PERMISSION			
	2017/02/17 2017/04/18 2017/04/28 CONVERT TO INX EC NO. 114248 DRWN: BAPPELDORN CHKD: JBELL REV / APPR: FSMITH	GENERAL TOLERANCES (UNLESS SPECIFIED) MM/IN 4 PLACES ± ± 3 PLACES ± ± 0.01 2 PLACES ± 0.25 ± 0.014 1 PLACES ± 0.35 ± 0 PLACES ± ± ANGULAR TOL ± 0.5 DRAFT WHERE APPLICABLE MUST REMAIN WITHIN DIMENSIONS	DIMENSION UNITS MM/IN DRWN BY MANLAPZ CHKD BY BANDURA APPR BY FSMITH DRAWING SIZE D	SCALE 4:1 DATE 1997/01/06 DATE 1997/03/26 DATE 2012/01/19 THIRD ANGLE PROJECTION
MINI-FIT JR BMI RIGHT ANGLE HEADER ASM FOR 6.35/.250 THK. PCB				
PRODUCT CUSTOMER DRAWING				
SERIES 43810		MATERIAL NUMBER SEE CHART		
CUSTOMER GENERAL MARKET		DOCUMENT NUMBER SD-43810-071		
DOC TYPE PSD		DOC PART 000		
SHEET NUMBER 1 OF 2				

19	18	17	16	15		
MATERIAL NO.	CIRCUIT SIZE	CLIP OPTION	DIM. *A*	DIM. *B*	DIM. *C*	FINISH
L 438 10-0353	4	YES	18.81 .740	4.20 .165	16.60 .653	1
438 10-0354	6	YES	23.01 .906	8.40 .331	20.80 .819	1
N 438 10-0355	8	YES	27.21 1.071	12.60 .496	25.00 .984	1
438 10-0356	10	YES	31.41 1.237	16.80 .661	29.20 1.150	1
N 438 10-0357	12	YES	35.61 1.402	21.00 .828	33.40 1.315	1
438 10-0358	14	YES	39.81 1.567	25.20 .992	37.60 1.480	1
N 438 10-0359	16	YES	44.01 1.733	29.40 1.157	41.80 1.646	1
438 10-0360	18	YES	48.21 1.898	33.60 1.323	46.00 1.811	1
N 438 10-0361	20	YES	52.41 2.063	37.80 1.488	50.20 1.976	1
N 438 10-0362	22	YES	56.61 2.229	42.00 1.654	54.40 2.142	1
438 10-0363	24	YES	60.81 2.394	46.20 1.819	58.60 2.307	1
438 10-0364	4	YES	18.81 .740	4.20 .165	16.60 .653	2
438 10-0365	6	YES	23.01 .906	8.40 .331	20.80 .819	2
N 438 10-0366	8	YES	27.21 1.071	12.60 .496	25.00 .984	2
438 10-0367	10	YES	31.41 1.237	16.80 .661	29.20 1.150	2
N 438 10-0368	12	YES	35.61 1.402	21.00 .828	33.40 1.315	2
438 10-0369	14	YES	39.81 1.567	25.20 .992	37.60 1.480	2
N 438 10-0370	16	YES	44.01 1.733	29.40 1.157	41.80 1.646	2
438 10-0371	18	YES	48.21 1.898	33.60 1.323	46.00 1.811	2
N 438 10-0372	20	YES	52.41 2.063	37.80 1.488	50.20 1.976	2
N 438 10-0373	22	YES	56.61 2.229	42.00 1.654	54.40 2.142	2
438 10-0374	24	YES	60.81 2.394	46.20 1.819	58.60 2.307	2

14	13	12	11	10		
MATERIAL NO.	CIRCUIT SIZE	CLIP OPTION	DIM. *A*	DIM. *B*	DIM. *C*	FINISH
438 10-0375	4	NO	18.81 .740	4.20 .165	16.60 .653	1
438 10-0376	6	NO	23.01 .906	8.40 .331	20.80 .819	1
N 438 10-0377	8	NO	27.21 1.071	12.60 .496	25.00 .984	1
438 10-0378	10	NO	31.41 1.237	16.80 .661	29.20 1.150	1
N 438 10-0379	12	NO	35.61 1.402	21.00 .828	33.40 1.315	1
438 10-0380	14	NO	39.81 1.567	25.20 .992	37.60 1.480	1
438 10-0381	16	NO	44.01 1.733	29.40 1.157	41.80 1.646	1
438 10-0382	18	NO	48.21 1.898	33.60 1.323	46.00 1.811	1
N 438 10-0383	20	NO	52.41 2.063	37.80 1.488	50.20 1.976	1
N 438 10-0384	22	NO	56.61 2.229	42.00 1.654	54.40 2.142	1
438 10-0385	24	NO	60.81 2.394	46.20 1.819	58.60 2.307	1
438 10-0386	4	NO	18.81 .740	4.20 .165	16.60 .653	2
438 10-0387	6	NO	23.01 .906	8.40 .331	20.80 .819	2
N 438 10-0388	8	NO	27.21 1.071	12.60 .496	25.00 .984	2
438 10-0389	10	NO	31.41 1.237	16.80 .661	29.20 1.150	2
N 438 10-0390	12	NO	35.61 1.402	21.00 .828	33.40 1.315	2
438 10-0391	14	NO	39.81 1.567	25.20 .992	37.60 1.480	2
N 438 10-0392	16	NO	44.01 1.733	29.40 1.157	41.80 1.646	2
438 10-0393	18	NO	48.21 1.898	33.60 1.323	46.00 1.811	2
N 438 10-0394	20	NO	52.41 2.063	37.80 1.488	50.20 1.976	2
N 438 10-0395	22	NO	56.61 2.229	42.00 1.654	54.40 2.142	2
438 10-0396	24	NO	60.81 2.394	46.20 1.819	58.60 2.307	2

N = NOT TOOLED

N = NOT TOOLED

QUALITY SYMBOLS 	THIS DRAWING CONTAINS INFORMATION THAT IS PROPRIETARY TO MOLEX ELECTRONIC TECHNOLOGIES, LLC AND SHOULD NOT BE USED WITHOUT WRITTEN PERMISSION										
	CONVERT TO INX EC NO. 114248 DRWN: BAPPELDORN CHKD: J.BELL REV / APPR: FSMITH	GENERAL TOLERANCES (UNLESS SPECIFIED)		DIMENSION UNITS		SCALE					
				MM/IN		1:1					
		4 PLACES ± ±		MANLAPZ		DATE		MINI-FIT JR BMI RIGHT ANGLE HEADER ASM FOR 6.35/.250 THK. PCB			
		3 PLACES ± ± 0.01		CHKD BY		DATE					
	2 PLACES ± 0.25 ± 0.014		BANDURA		DATE		PRODUCT CUSTOMER DRAWING				
	1 PLACES ± 0.35 ±		APPR BY		DATE						
	0 PLACES ± ±		FSMITH		DATE		SERIES MATERIAL NUMBER CUSTOMER 43810 SEE CHART GENERAL MARKET				
	ANGULAR TOL ± 0.5		DRAWING SIZE		THIRD ANGLE PROJECTION						
	DRAFT WHERE APPLICABLE MUST REMAIN WITHIN DIMENSIONS		D				DOCUMENT NUMBER DOC TYPE DOC PART SHEET NUMBER SD-43810-071 PSD 000 2 OF 2				