

PLEASE CHECK WWW.MOLEX.COM FOR LATEST PART INFORMATION

Part Number: [43860-0024](#)
Status: **Active**
Overview: [Modular Plugs - Jacks](#)
Description: Modular Jack, Right Angle, Low Profile, Inverted, Shielded, All Panel Grounding Tabs, 6/2

Documents:

| | |
|--|--|
| 3D Model | Application Specification AS-43860-001 (PDF) |
| Drawing (PDF) | Test Summary TS-43860-001 (PDF) |
| Product Specification PS-43860-003 (PDF) | RoHS Certificate of Compliance (PDF) |

Agency Certification

| | |
|-----|---------|
| CSA | LR19980 |
| UL | E107635 |

General

| | |
|---------------------------|---------------------------------------|
| Product Family | Modular Jacks/Plugs |
| Series | 43860 |
| Component Type | PCB Jack |
| Magnetic | No |
| Overview | Modular Plugs - Jacks |
| Performance Category | 3 |
| Power over Ethernet (PoE) | N/A |
| Product Name | RJ11 |
| UPC | 800754896580 |

Physical

| | |
|--------------------------------|--------------------------------|
| Boot Color | N/A |
| Color - Resin | Black |
| Durability (mating cycles max) | 500 |
| Flammability | 94V-0 |
| Inverted / Top Latch | Yes |
| Jack Height | 13.53mm |
| Lightpipes/LEDs | None |
| Material - Metal | Brass, Phosphor Bronze |
| Material - Plating Mating | Gold |
| Material - Plating Termination | Tin |
| Material - Resin | High Temperature Thermoplastic |
| Orientation | Right Angle (Side Entry) |
| PCB Locator | Yes |
| PCB Retention | Yes |
| PCB Thickness - Recommended | 1.60mm |
| Packaging Type | Tray |
| Panel Mount | With Flange |
| Pitch - Mating Interface | 1.02mm |
| Pitch - Termination Interface | 1.02mm |
| Plating min - Mating | 1.270µm |
| Plating min - Termination | 2.540µm |
| Ports | 1 |
| Positions / Loaded Contacts | 6/2 |
| Surface Mount Compatible (SMC) | No |
| Temperature Range - Operating | -40°C to +85°C |
| Termination Interface: Style | Through Hole |
| Waterproof / Dustproof | No |
| Wire/Cable Type | N/A |

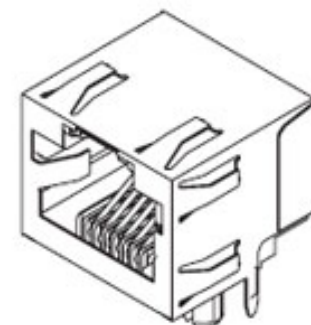


image - Reference only

Series

EU RoHS

**ELV and RoHS
Compliant**

REACH SVHC

Not Reviewed

Low-Halogen Status

Not Reviewed

China RoHS



**Need more information on product
environmental compliance?**

Email productcompliance@molex.com
 For a multiple part number RoHS Certificate of
 Compliance, [click here](#)

Please visit the [Contact Us](#) section for any
 non-product compliance questions.

Search Parts in this Series

43860Series

Mates With

FCC 68 Plugs

Electrical

| | |
|-------------------------------|---------------|
| Current - Maximum per Contact | 1.5A |
| Grounding to PCB | Yes |
| Grounding to Panel | Yes |
| Shielded | Yes |
| Voltage - Maximum | 150V AC (RMS) |

Solder Process Data

| | |
|------------------------------|------------------------|
| Lead-free Process Capability | Wave Capable (TH only) |
|------------------------------|------------------------|

Material Info**Reference - Drawing Numbers**

| | |
|---------------------------|---|
| Application Specification | AS-43860-001 |
| Product Specification | PS-43860-003, RPS-43860-004, RPS-43860-007, RPS-43860-008, RPS-43860-013 |
| Sales Drawing | SD-43860-001 |
| Test Summary | TS-43860-001 |

This document was generated on 10/08/2012

PLEASE CHECK WWW.MOLEX.COM FOR LATEST PART INFORMATION