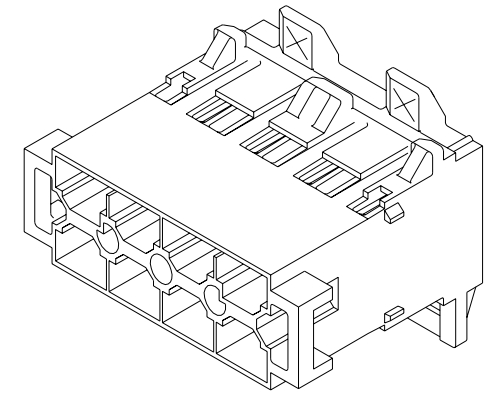
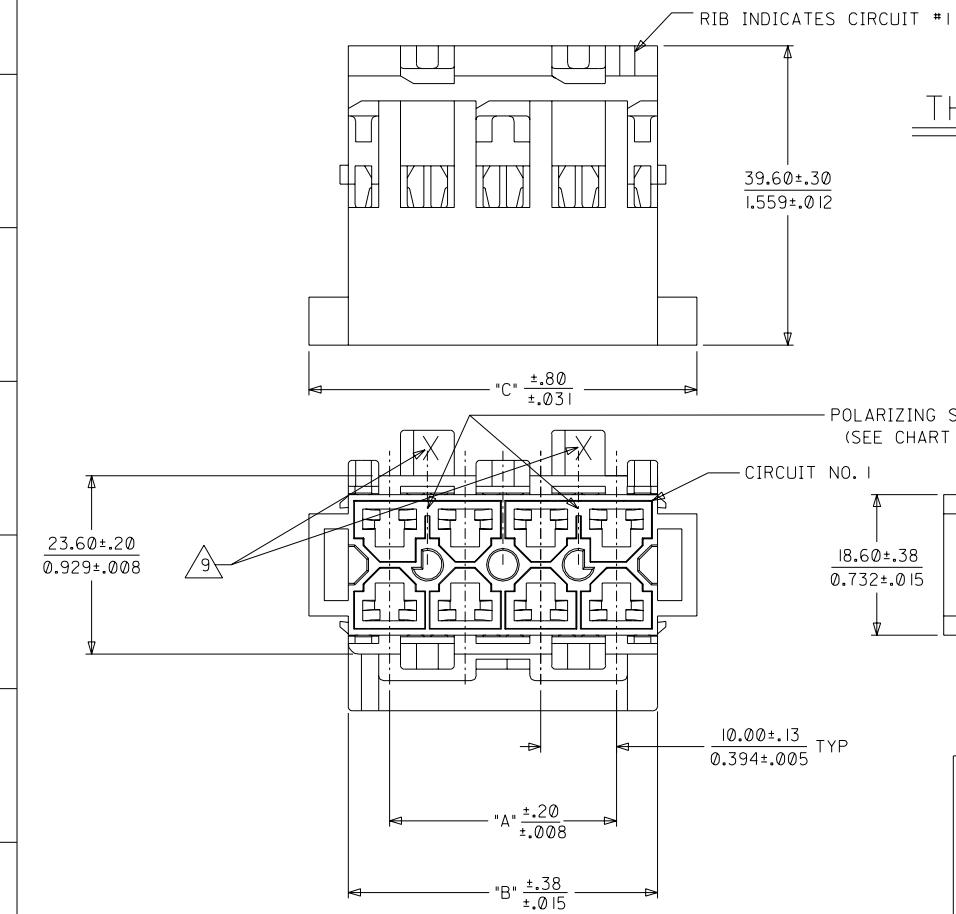


MATERIAL NUMBER	POSITION NUMBER	DIM. "A"	DIM. "B"	DIM. "C"	QUANTITY OF POLARIZING SLOTS	PANEL THICKNESS ACCOMMODATED
43938-2201	6	20.00 .787	30.90 1.216	41.30 1.626	1	1.30/1.76 .051/.069
43938-2202	8	30.00 1.181	40.90 1.610	51.30 2.020	2	
43938-2203	10	40.00 1.575	50.90 2.004	61.30 2.413	2	
43938-2204	12	50.00 1.968	60.90 2.398	71.30 2.807	2	
43938-2205	14	60.00 2.362	70.90 2.791	81.30 3.201	2	

NOTES:

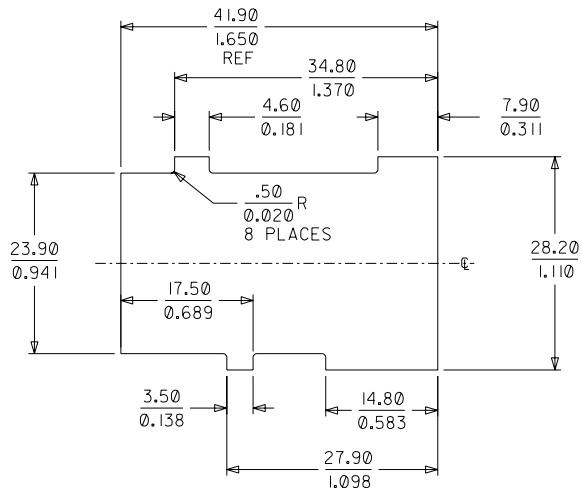
1. MATERIAL: UNFILLED POLYESTER, U.L. 94V-0, COLOR: BLACK
2. FINISH: NONE
3. PRODUCT SPEC.: PS-42815-001
4. THIS PART IS DESIGNED TO USE MALE CRIMP TERMINAL #42817.
5. THIS PART IS DESIGNED TO USE T.P.A. #43980.
6. THIS PART IS DESIGNED TO MATE WITH RECEPTACLE HOUSING #43914.
7. SEE SHEET 2 FOR PANEL CUT-OUT DETAILS.
8. POLARIZING SLOTS TO BE LOCATED BETWEEN CIRCUITS ON EITHER END OF HOUSING OF THE CIRCUIT I ROW AS SHOWN.
EXCEPTION: THE 6 CIRCUIT HOUSING WILL HAVE A SINGLE SLOT ON THE CIRCUIT I END ONLY.
9. AN "X" IS ENGRAVED AS SHOWN, TO DESIGNATE THAT THE PART ACCOMMODATES A 1.30/1.76 PANEL THICKNESS.
10. FOR PACKAGING INFORMATION SEE PK-43938-001.

THIS PRODUCT MUST NOT BE USED WITHOUT THE T.P.A.

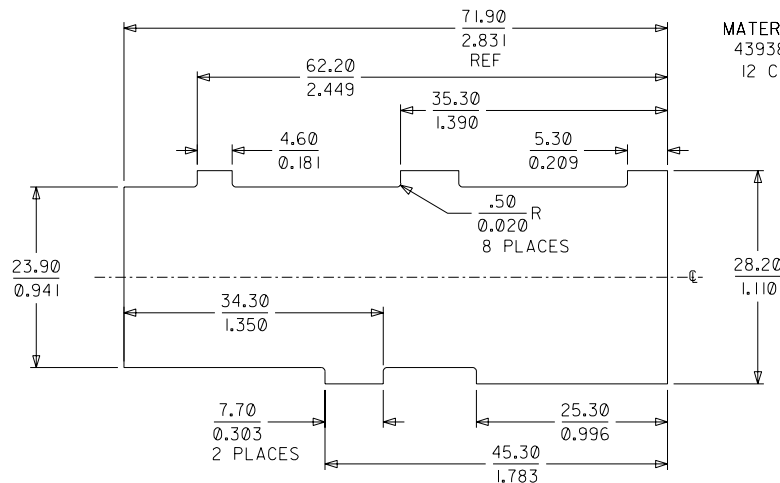


ADD PACKAGING EC NO. UCP2003-1914 DRAWING: COMERCI 30703 CHK: COMERCI 30703 APPR: COMERCI 30703	DESCRIPTION MAJOR CRITICAL	QUALITY SYMBOLS		GENERAL TOLERANCES: (UNLESS SPECIFIED)		SCALE 2 : 1	DESIGN UNITS <input checked="" type="checkbox"/> mm <input type="checkbox"/> INCH	THIRD ANGLE PROJECTION	DIMENSIONS: <input checked="" type="checkbox"/> mm <input type="checkbox"/> INCH <input type="checkbox"/> mm ONLY		2	AI	
		4 PLACES ±0.--- ±.---	3 PLACES ±0.--- ±.---	2 PLACES ±0.--- ±.---	1 PLACE ±0.--- ±.---	ANGULAR: ± --°	DRAWN BY & DATE COMERCI 99/12/06		TITLE: DUAL ROW PANEL MT. PLUG, FOR THIN PANELS MINI-FIT SR. SERIES		SHT	REV	
AI	REV	DRAFT WHERE APPLICABLE MUST REMAIN WITHIN DIMENSIONS		THIS DRAWING CONTAINS INFORMATION THAT IS PROPRIETARY TO MOLEX INCORPORATED AND SHOULD NOT BE USED WITHOUT WRITTEN PERMISSION.		APPROVED BY & DATE COMERCI 99/12/06		MATERIAL NO. SEE CHART		DRAWING NO. SD-43938-003		SHEET NO. 1 OF 2	

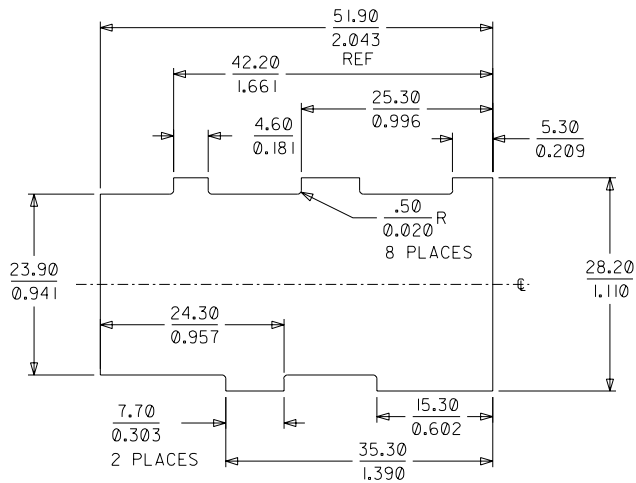
MATERIAL NO.:
43938-2201
6 CIRCUIT



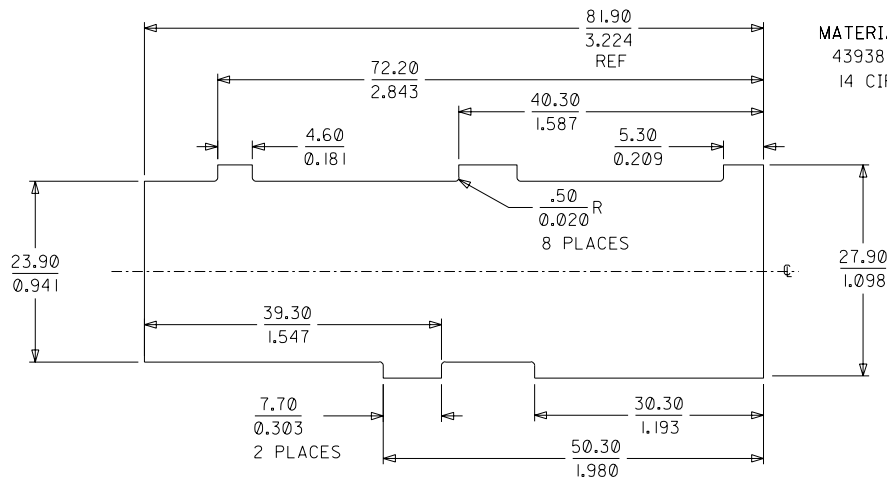
MATERIAL NO.:
43938-2204
12 CIRCUIT



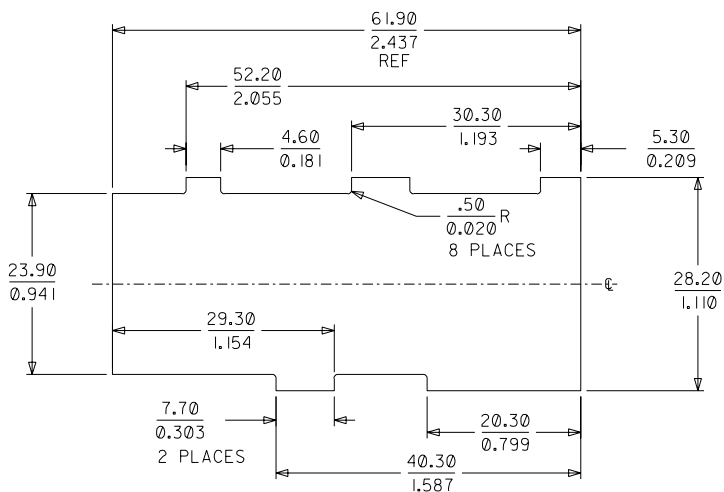
MATERIAL NO.:
43938-1102
43938-2202
8 CIRCUIT



MATERIAL NO.:
43938-2205
14 CIRCUIT



MATERIAL NO.:
43938-2203
10 CIRCUIT



PANEL OPENINGS SHOWN FROM OUTSIDE OF BOX.
SEE CHART FOR PANEL THICKNESS.

SEE SHEET 1 EC NO. UCP2003-1914 DRAWING: COMERC 300703 CHK: COMERC 300703 APPR: COMERC 300703	DESCRIPTION MAJOR CRITICAL	QUALITY SYMBOLS	GENERAL TOLERANCES: (UNLESS SPECIFIED)	SCALE 2 : 1	DESIGN UNITS <input checked="" type="checkbox"/> mm <input type="checkbox"/> INCH	DIMENSIONS: <input checked="" type="checkbox"/> mm <input type="checkbox"/> INCH <input type="checkbox"/> mm ONLY	SHT	REV
		MAJOR CRITICAL	mm INCH	DRAWN BY & DATE COMERC 99/12/06	THIRD ANGLE PROJECTION	TITLE: DUAL ROW PANEL MT. PLUG, FOR THIN PANELS MINI-FIT SR. SERIES	REVISE ON CAD ONLY	
AI	REV	4 PLACES ±0.--- ±.---	3 PLACES ±0.--- ±.004	CHECKED BY & DATE COMERC 99/12/06	APPROVED BY & DATE COMERC 99/12/06	MATERIAL NO. DRAWING NO. SEE CHART SD-43938-003	SHEET NO. 2	SIZE C
		1 PLACE ±0.--- ±.---	ANGULAR: ± --°	CAD FILENAME	THIS DRAWING CONTAINS INFORMATION THAT IS PROPRIETARY TO MOLEX INCORPORATED AND SHOULD NOT BE USED WITHOUT WRITTEN PERMISSION.			