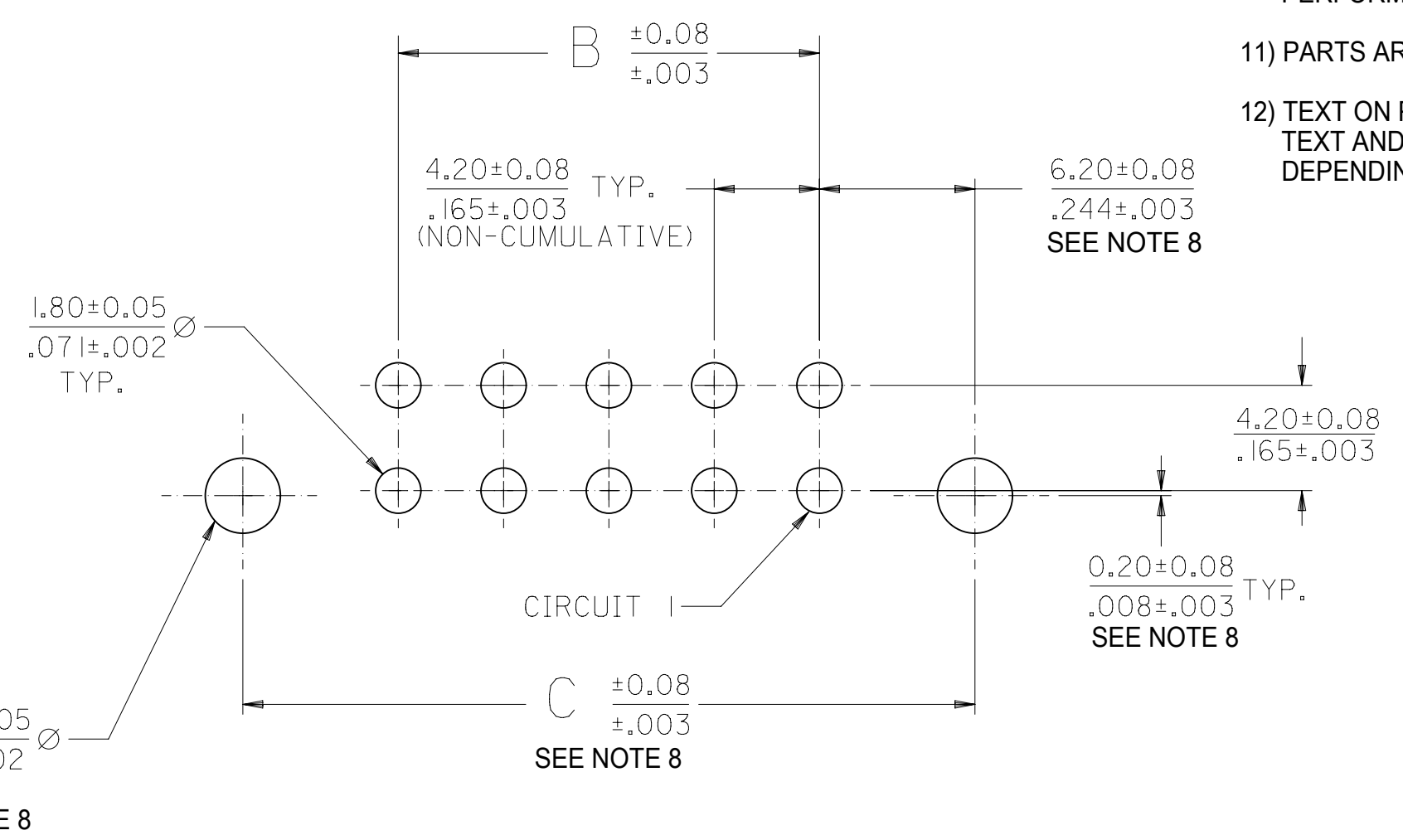
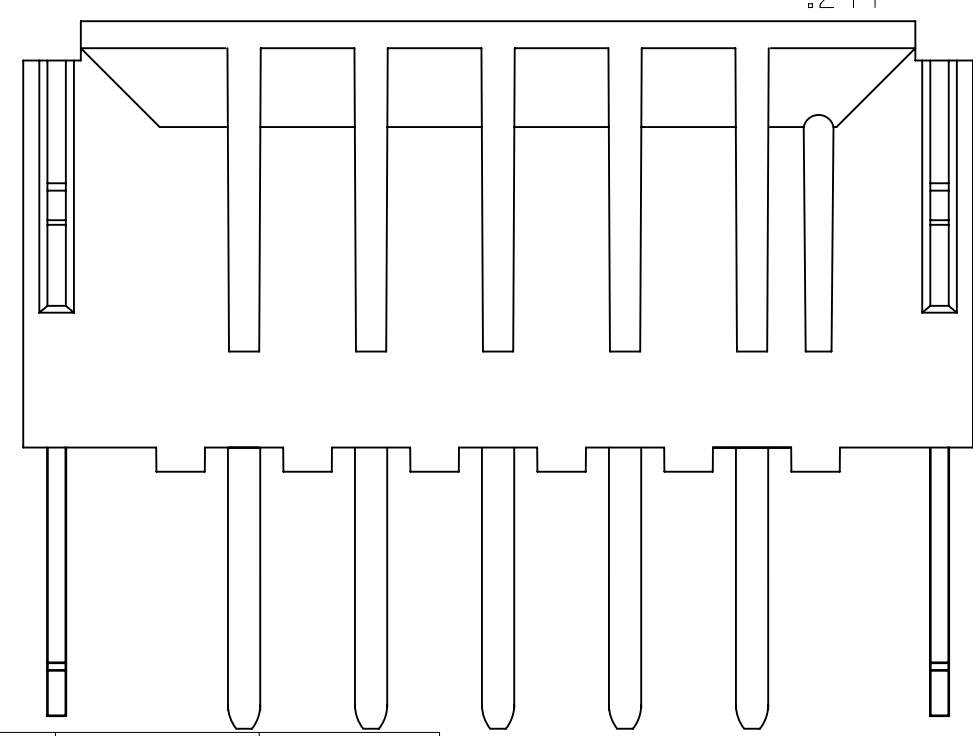


- NOTES:
- MATERIALS:
HOUSING: PA46 FILLED BLACK, UL94V-0
TERMINAL: BRASS
BOARD RETENTION CLIP: BRASS
 - FINISHES:
TERMINAL:
1.=(0.00254)/.000100 MIN. BRIGHT TIN OVER (0.00127)/.000050 MIN. NICKEL
2.=(0.00076)/.000030 MIN. SELECT GOLD AND (0.00254)/.000100 MIN. SELECT MATTE TIN OVER (0.00127)/.000050 MIN. NICKEL OVERALL
MOUNTING CLIP:
(0.00254)/.000100 MIN. MATTE TIN OVER (0.00127)/.000050 MIN. NICKEL
 - PRODUCT SPECIFICATIONS: PS-43810-001
 - PACKAGING SPECIFICATION: PK-43879-002
 - PART MATES WITH MOLEX RECEPTACLE #5557 AND #42474, AND # 44516 AND #42385 HEADER.
 - PART ALLOWS FOR 1.27/.050 MAX. MIS-ALIGNMENT WITH MATING HOUSINGS IN ANY DIRECTION.
 - CONNECTOR ASSEMBLIES ARE NOT TO BE MATED AND UNMATED WHILE CIRCUITS ARE LIVE.
 - THIS DIMENSION DOES NOT APPLY TO PARTS WITHOUT P.C. BOARD RETENTION CLIPS.
 - THIS PART CONFORMS TO CLASS B REQUIREMENTS OF COSMETIC SPECIFICATION PS-45499-002.
 - DISCOLORATION IN THE BANDOLIER CARRIER AREA OF THE PIN IS INHERENT TO THE PLATING PROCESS AND IS DUE TO THE MASKING EFFECT OF THE CARRIER. THIS DISCOLORATION IS IN A NON-FUNCTIONAL AREA OF THE PIN AND WILL NOT AFFECT THE PERFORMANCE OF THE HEADER ASSEMBLY.
 - PARTS ARE NOT DESIGNED FOR CURRENT SHARING
 - TEXT ON PART IS FOR REFERENCE ONLY. TEXT AND TEXT LOCATION MAY VARY DEPENDING ON PART NUMBER AND/OR TOOL.



PCB LAYOUT: COMPONENT SIDE
RECOMMENDED PCB THICKNESS: SEE CHART

CKTS	DIM. "A"	DIM. "B"	DIM. "C"
4	18.81 .740	4.20 .165	16.60 .653
6	23.01 .906	8.40 .331	20.80 .819
8	27.21 1.071	12.60 .496	25.00 .984
10	31.41 1.237	16.80 .661	29.20 1.150
12	35.61 1.402	21.00 .828	33.40 1.315
14	39.81 1.567	25.20 .992	37.60 1.480
16	44.01 1.733	29.40 1.157	41.80 1.646
18	48.21 1.898	33.60 1.323	46.00 1.811
20	52.41 2.063	37.80 1.488	50.20 1.976
22	56.61 2.229	42.00 1.654	54.40 2.142
24	60.81 2.394	46.20 1.819	58.60 2.307

THIS DRAWING CONTAINS INFORMATION THAT IS PROPRIETARY TO MOLEX ELECTRONIC TECHNOLOGIES, LLC AND SHOULD NOT BE USED WITHOUT WRITTEN PERMISSION

QUALITY SYMBOLS	CHG DWG TO UNRESTRICT EC NO: 117231 DRWN: BAPPELDORN CHKD: JBELL REV APPR: FSMITH	GENERAL TOLERANCES (UNLESS SPECIFIED)		DIMENSION UNITS	SCALE	
		MM	INCH	MM/IN	4:1	
▽ = 0	DRWN BY: JIWANG DATE: 2000/07/27 CHK'D BY: BANDURA DATE: 2000/07/27 APPR BY: FSMITH DATE: 2011/11/11 DRAWING SIZE: C THIRD ANGLE PROJECTION	4 PLACES ± ±	DRWN BY: JIWANG	DATE: 2000/07/27		
▽ = 0		3 PLACES ± ± 0.01	CHK'D BY: BANDURA	DATE: 2000/07/27		
▽ = 0		2 PLACES ± 0.25 ± 0.014	APPR BY: FSMITH		DATE: 2011/11/11	PRODUCT CUSTOMER DRAWING MINI-FIT JR BMI SMC VERTICAL HEADER ASM FOR 6.35/.250 THK PCB
▽ = 0		1 PLACES ± 0.35 ±	DRAWING SIZE: C		THIRD ANGLE PROJECTION	
▽ = 0		0 PLACES ± ±	ANGULAR TOL = 0.5			
▽ = 0		DRAFT WHERE APPLICABLE MUST REMAIN WITHIN DIMENSIONS				

SERIES	MATERIAL NUMBER	CUSTOMER
44068	SEE SHEET 2	GENERAL MARKET
DOCUMENT NUMBER	DOC TYPE	DOC PART
SD-44068-061	PSD	000
SHEET NUMBER	1 OF 2	

RELEASE STATUS	RELEASE DATE

FINISH:	I (SEE NOTE 2)
DIM. D:	WITHOUT CLIP
PCB THICKNESS:	$\frac{(6.35 \pm 0.18)}{.250 \pm .007}$
CIRCUITS	MATERIAL NO.
04	44068-0244
06	44068-0245
08	X 44068-0246
10	44068-0247
12	X 44068-0248
14	44068-0249
16	X 44068-0250
18	44068-0251
20	X 44068-0252
22	X 44068-0253
24	44068-0254

FINISH:	I (SEE NOTE 2)
DIM. D:	$\frac{(6.60 \pm 0.25)}{.260 \pm .010}$
PCB THICKNESS:	$\frac{(6.35 \pm 0.18)}{.250 \pm .007}$
CIRCUITS	MATERIAL NO.
04	44068-0266
06	44068-0267
08	X 44068-0268
10	44068-0269
12	X 44068-0270
14	44068-0271
16	X 44068-0272
18	44068-0273
20	X 44068-0274
22	X 44068-0275
24	44068-0276

FINISH:	2 (SEE NOTE 2)
DIM. D:	WITHOUT CLIP
PCB THICKNESS:	$\frac{(6.35 \pm 0.18)}{.250 \pm .007}$
CIRCUITS	MATERIAL NO.
04	44068-0255
06	44068-0256
08	X 44068-0257
10	44068-0258
12	X 44068-0259
14	44068-0260
16	X 44068-0261
18	44068-0262
20	X 44068-0263
22	X 44068-0264
24	44068-0265

FINISH:	2 (SEE NOTE 2)
DIM. D:	$\frac{(6.60 \pm 0.25)}{.260 \pm .010}$
PCB THICKNESS:	$\frac{(6.35 \pm 0.18)}{.250 \pm .007}$
CIRCUITS	MATERIAL NO.
04	44068-0277
06	44068-0278
08	X 44068-0279
10	44068-0280
12	X 44068-0281
14	44068-0282
16	X 44068-0283
18	44068-0284
20	X 44068-0285
22	X 44068-0286
24	44068-0287

X PRECEDING PART NUMBER DESIGNATES
CIRCUIT SIZE IS NOT TOOLED
PLEASE CONTACT FACTORY

THIS DRAWING CONTAINS INFORMATION THAT IS PROPRIETARY TO MOLEX ELECTRONIC TECHNOLOGIES, LLC AND SHOULD NOT BE USED WITHOUT WRITTEN PERMISSION											
QUALITY SYMBOLS		CHG DWG TO UNRESTRICT		GENERAL TOLERANCES (UNLESS SPECIFIED)		DIMENSION UNITS		SCALE			
	= 0	2017/05/22	2017/05/22	MM	INCH	MM/IN	1:1	 MINI-FIT JR BMI SMC VERTICAL HEADER ASM FOR 6.35/.250 THK PCB			
	= 0	2017/05/22	2017/05/22	4 PLACES	±	±	DRWN BY			DATE	
	= 0	2017/05/22	2017/05/22	3 PLACES	±	± 0.01	JIWANG			2000/07/27	
	= 0	2017/05/22	2017/05/22	2 PLACES	± 0.25	± 0.014	CHK'D BY			DATE	
	= 0	2017/05/22	2017/05/22	1 PLACES	± 0.35	±	BANDURA			2000/07/27	
	= 0	2017/05/22	2017/05/22	0 PLACES	±	±	APPR BY			DATE	
	= 0	2017/05/22	2017/05/22	ANGULAR TOL = 0.5		DRAWING SIZE		THIRD ANGLE PROJECTION			
	= 0	2017/05/22	2017/05/22	DRAFT WHERE APPLICABLE MUST REMAIN WITHIN DIMENSIONS		C					
RELEASE STATUS		RELEASE DATE		DOCUMENT NUMBER		DOC TYPE		DOC PART		SHEET NUMBER	
12		11		SD-44068-061		PSD		000		2 OF 2	