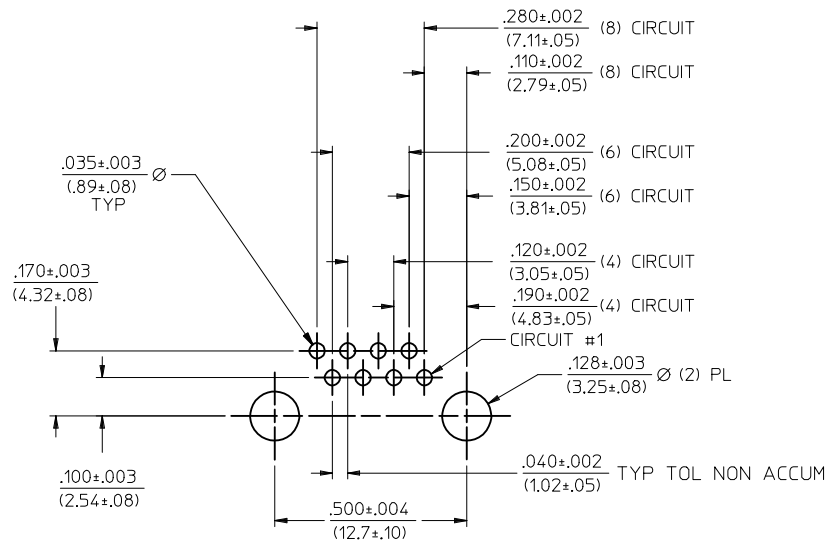
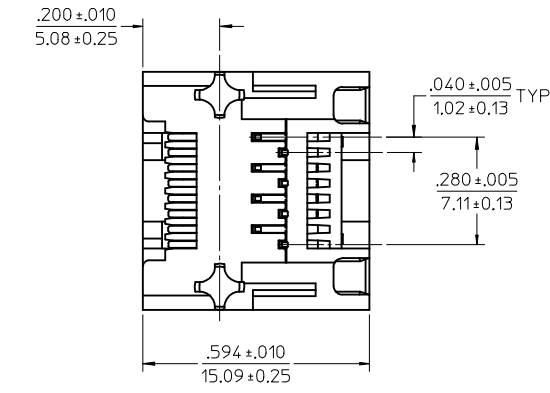
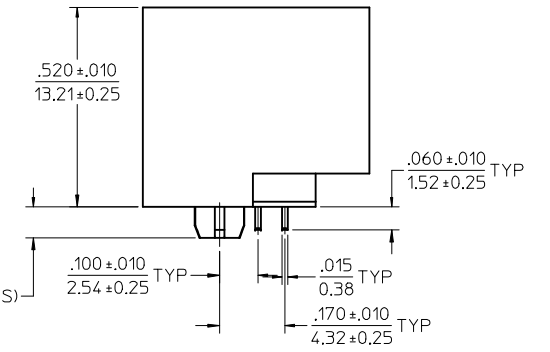
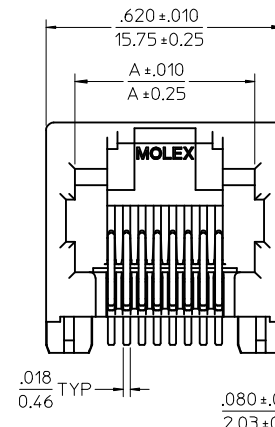


NOTES

- 1) MATERIAL:  
HOUSING: GLASS FILLED NYLON, 94V-0 COLOR: BLACK  
TERMINALS: PHOSPHOR BRONZE, .015/(0.38) THICK  
SHIELD: BRASS
- 2) PLATING:  
TERMINALS:  
SELECT GOLD IN CONTACT AREA: 50 MICROINCHES (1.27 MICROMETERS) MIN.,  
SELECT TIN IN PC TAIL AREA: 100 MICROINCHES (2.54 MICROMETERS) MIN.,  
WITH OVERALL NICKEL UNDERPLATE: 50 MICROINCHES (1.27 MICROMETERS) MIN.
- 3) PRODUCT SPECIFICATION:  
CONNECTOR PERFORMANCE SPECIFICATIONS PER MOLEX  
PRODUCT SPECIFICATION PS-43860-003
- 4) PACKAGING OPTIONS:  
CONNECTOR ASSEMBLIES IN EXTRUDED TUBES  
PER PACKAGING SPECIFICATION PK-43860-004
- 5) ALL UNTOLERANCED DIMENSIONS ARE SHOWN FOR REFERENCE ONLY
- 6) CONFORMS TO F.C.C. REGULATION PART 68.5 FOR MODULAR JACKS.
- 7) THIS PART CONFORMS TO CLASS B REQUIREMENTS OF COSMETIC SPECIFICATION PS-45499-002.



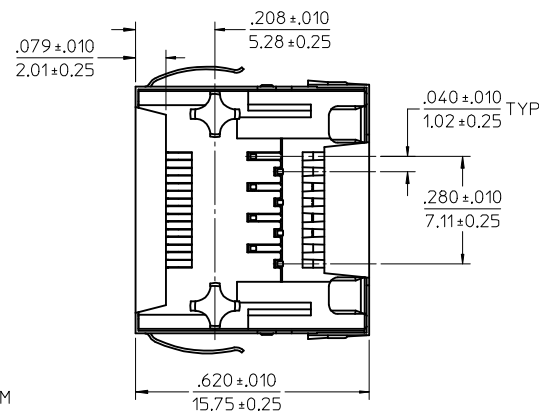
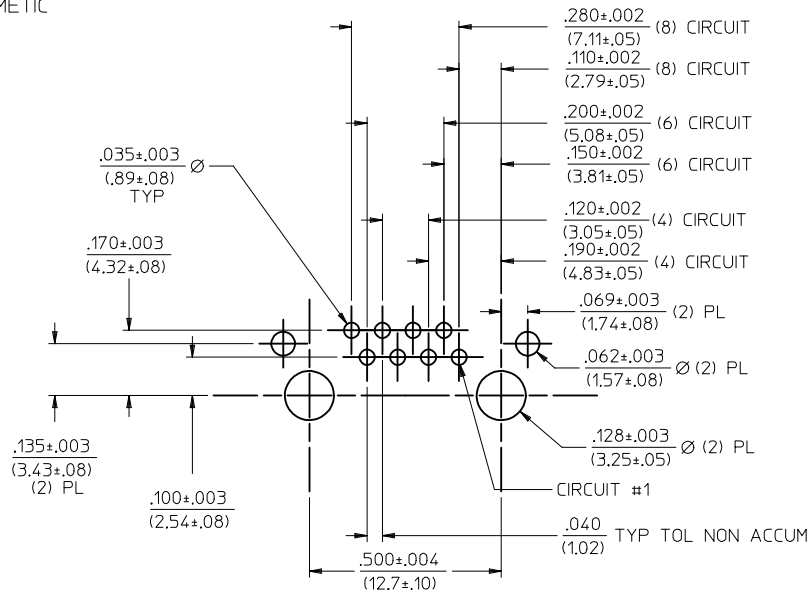
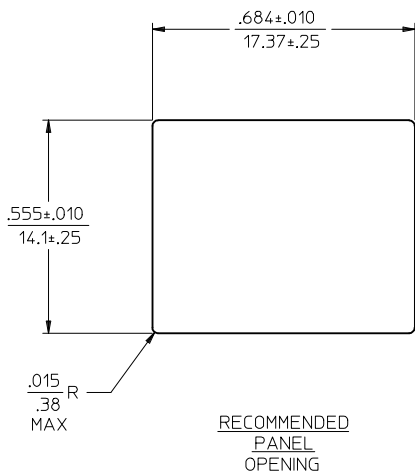
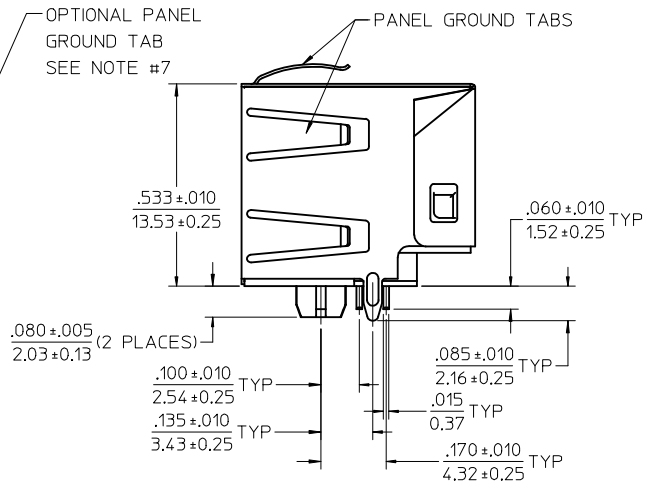
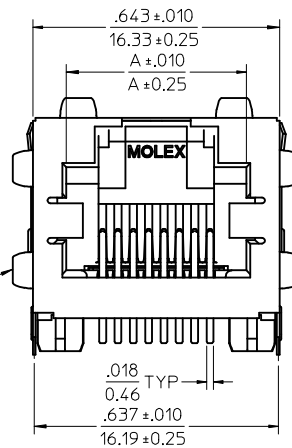
PC BOARD LAYOUT  
COMPONENT SIDE OF BOARD  
RECOMMENDED PC BOARD THICKNESS .039/1.00

MATERIAL NUMBER	CONNECTOR SIZE	DIM. "A"	CIRCUITS
44380-0001	8	.470/11.94	8
44380-0002	6	.389/9.88	6

ADD PN 44380-0004 EC NO: UCP2017-0909 DRWNAFENG02 2016/10/24 CHKD: APPR:KLANG 2016/10/28	QUALITY SYMBOLS	GENERAL TOLERANCES (UNLESS SPECIFIED)	DIMENSION STYLE	SCALE	DESIGN UNITS	THIRD ANGLE PROJECTION
	▽=0	mm INCH	IN/MM	4:1	INCH	
	▽=0	4 PLACES ± --- ± ---	DRAWN BY DATE	TITLE		
	▽=0	3 PLACES ± --- ± ---	MAYO 1999/04/09	INVERTED MODULAR JACK ASSEMBLY (MINI-PCI COMPLIANT)		
		2 PLACES ± --- ± ---	CHECKED BY DATE	molex		
		1 PLACE ± --- ± ---	ROBERTS 1999/04/09	SD-44380-001		
		0 PLACE ± --- ± ---	APPROVED BY DATE	DOCUMENT NO.		
			ROBERTS 1999/04/09	1 OF 5		
		ANGULAR ±1/2°	MATERIAL NO.	SHEET NO.		
		DRAFT WHERE APPLICABLE MUST REMAIN WITHIN DIMENSIONS	SEE CHART	1 OF 5		
			SIZE C	THIS DRAWING CONTAINS INFORMATION THAT IS PROPRIETARY TO MOLEX INCORPORATED AND SHOULD NOT BE USED WITHOUT WRITTEN PERMISSION		

NOTES

- 1) MATERIAL:  
HOUSING: GLASS FILLED NYLON, 94V-0 COLOR: BLACK  
TERMINALS: PHOSPHOR BRONZE, .015/(0.38) THICK  
SHIELD: BRASS
- 2) PLATING:  
TERMINALS:  
SELECT GOLD IN CONTACT AREA: 50 MICROINCHES (1.27 MICROMETERS) MIN.,  
SELECT TIN IN PC TAIL AREA: 100 MICROINCHES (2.54 MICROMETERS) MIN.,  
WITH OVERALL NICKEL UNDERPLATE: 50 MICROINCHES (1.27 MICROMETERS) MIN.  
SHIELD:  
100 MICROINCHES (2.54 MICROMETERS) NICKEL OVER 50 MICROINCHES  
(1.27 MICROMETERS) COPPER UNDERPLATE; PCB GROUND TABS DIPPED IN TIN
- 3) PRODUCT SPECIFICATION:  
CONNECTOR PERFORMANCE SPECIFICATIONS PER MOLEX  
PRODUCT SPECIFICATION PS-43860-003
- 4) PACKAGING OPTIONS:  
CONNECTOR ASSEMBLIES IN THERMOFORMED TRAYS  
PER PACKAGING SPECIFICATION PK-44380-005  
OPTION (44380-2004 AND 44380-2013) PACKAGED IN TAPE AND REEL
- 5) ALL UNTOLERANCED DIMENSIONS ARE SHOWN FOR REFERENCE ONLY
- 6) CONFORMS TO F.C.C. REGULATION PART 68.5 FOR MODULAR JACKS
- 7) AVAILABLE WITH THE (2) SPECIFIED PANEL GROUND TABS OMITTED FOR SIDE TO SIDE STACKABILITY, PER THE ASSEMBLY MATERIAL NUMBER TABLE.
- 8) THIS PART CONFORMS TO CLASS B REQUIREMENTS OF COSMETIC SPECIFICATION PS-45499-002.



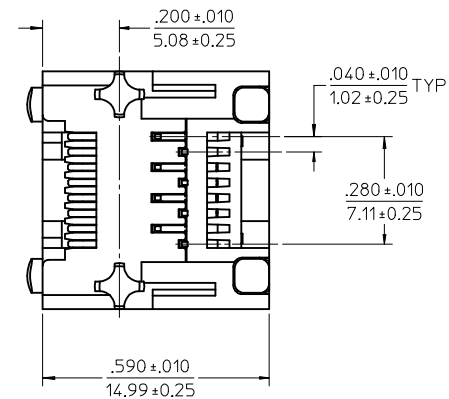
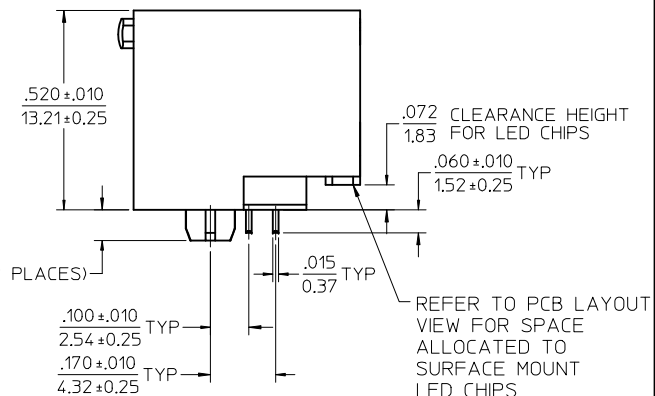
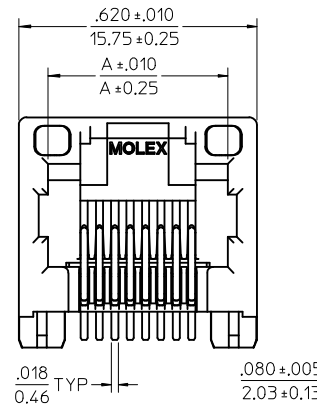
PC BOARD LAYOUT  
COMPONENT SIDE OF BOARD  
RECOMMENDED PC BOARD THICKNESS: .039/1.00

MATERIAL NUMBER	CONNECTOR SIZE	DIM. "A"	CIRCUITS	PANEL GROUND TABS
44380-0004	8	.470/11.94	8	ALL
44380-0013	8	.470/11.94	8	SEE NOTE #7
44380-2004	8	.470/11.94	8	ALL
44380-2013	8	.470/11.94	8	SEE NOTE #7

SEE SHEET 1 EC NO: UCP2017-0909 DRWNAFENG02 2016/10/24 CHKD: APPR:KLANG 2016/10/28 REV: C4	QUALITY SYMBOLS ∇=0 ∇=0 ∇=0	GENERAL TOLERANCES (UNLESS SPECIFIED) <table border="1"> <thead> <tr> <th></th> <th>mm</th> <th>INCH</th> </tr> </thead> <tbody> <tr> <td>4 PLACES ±</td> <td>---</td> <td>±</td> </tr> <tr> <td>3 PLACES ±</td> <td>---</td> <td>±</td> </tr> <tr> <td>2 PLACES ±</td> <td>---</td> <td>±</td> </tr> <tr> <td>1 PLACE ±</td> <td>---</td> <td>±</td> </tr> <tr> <td>0 PLACE ±</td> <td>---</td> <td>±</td> </tr> </tbody> </table>		mm	INCH	4 PLACES ±	---	±	3 PLACES ±	---	±	2 PLACES ±	---	±	1 PLACE ±	---	±	0 PLACE ±	---	±	DIMENSION STYLE IN/MM	SCALE 4:1	DESIGN UNITS INCH	THIRD ANGLE PROJECTION
		mm	INCH																					
4 PLACES ±	---	±																						
3 PLACES ±	---	±																						
2 PLACES ±	---	±																						
1 PLACE ±	---	±																						
0 PLACE ±	---	±																						
DRAFT WHERE APPLICABLE MUST REMAIN WITHIN DIMENSIONS		MATERIAL NO. SEE CHART	DRAWN BY MAYO	DATE 1999/04/09	TITLE INVERTED MODULAR JACK ASSEMBLY (MINI-PCI COMPLIANT)	SHEET NO. 2 OF 5																		

DOCUMENT NO. SD-44380-001  
 THIS DRAWING CONTAINS INFORMATION THAT IS PROPRIETARY TO MOLEX INCORPORATED AND SHOULD NOT BE USED WITHOUT WRITTEN PERMISSION

- NOTES
- MATERIAL:  
HOUSING:  
GLASS FILLED NYLON, 94V-0, COLOR: BLACK  
TERMINALS:  
PHOSPHOR BRONZE, .015/(0.38) THK  
LIGHTPIPE:  
POLYCARBONATE- WAVE OR HAND SOLDER ONLY  
(NOT DESIGNED FOR I/R REFLOW OR CONVECTION REFLOW  
SOLDER PROCESSES)  
POLYSULFONE - MAXIMUM REFLOW TEMPERATURE: 400°F (205°C)
  - PLATING:  
TERMINAL:  
SELECT GOLD IN CONTACT AREA: 50 MICROINCHES (1.27 MICROMETERS) MIN.,  
SELECT TIN IN PC TAIL AREA: 100 MICROINCHES (2.54 MICROMETERS) MIN.,  
WITH OVERALL NICKEL UNDERPLATE: 50 MICROINCHES (1.27 MICROMETERS) MIN.
  - PACKAGING SPECIFICATION:  
CONNECTOR PERFORMANCE SPECIFICATIONS PER MOLEX  
PRODUCT SPECIFICATION PS-43860-003
  - PACKAGING:  
PER PACKAGING SPECIFICATION PK-43860-004
  - APPLICATION SPECIFICATION: AS-43860-001.
  - ALL UNTOLERANCED DIMENSIONS ARE SHOWN FOR REFERENCE ONLY.
  - CONFORMS TO F.C.C. REGULATION PART 68.5 FOR MODULAR JACKS.
  - REFER TO PAGE (5) OF (5) FOR RECOMMENDED PCB LAYOUT.
  - THIS PART CONFORMS TO CLASS B REQUIREMENTS OF COSMETIC SPECIFICATION PS-45499-002.

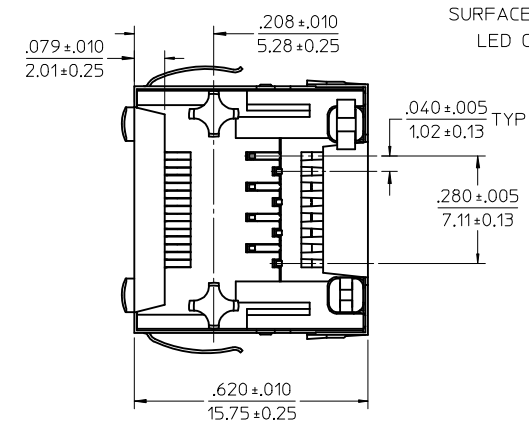
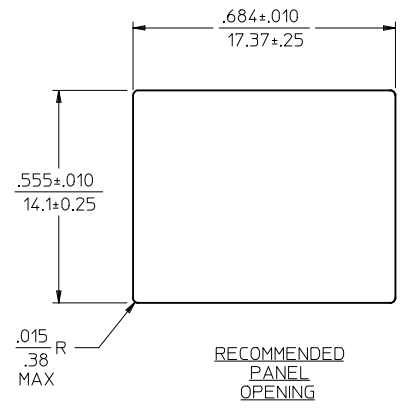
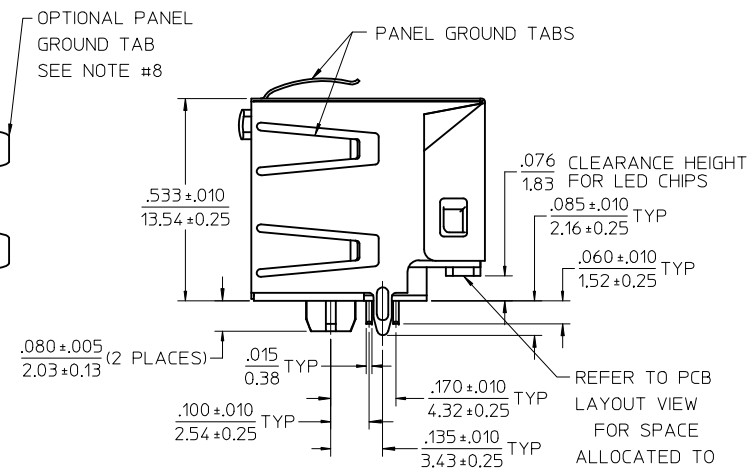
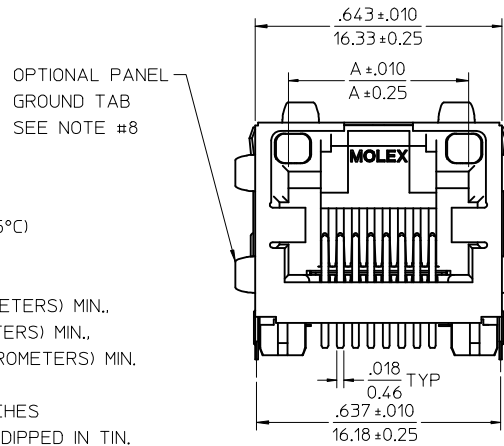


MATERIAL NUMBER	LIGHTPIPE MATERIAL	CONNECTOR SIZE	DIM. "A"	CIRCUITS
44380-0007	POLYCARBONATE	8	.470/11.94	8

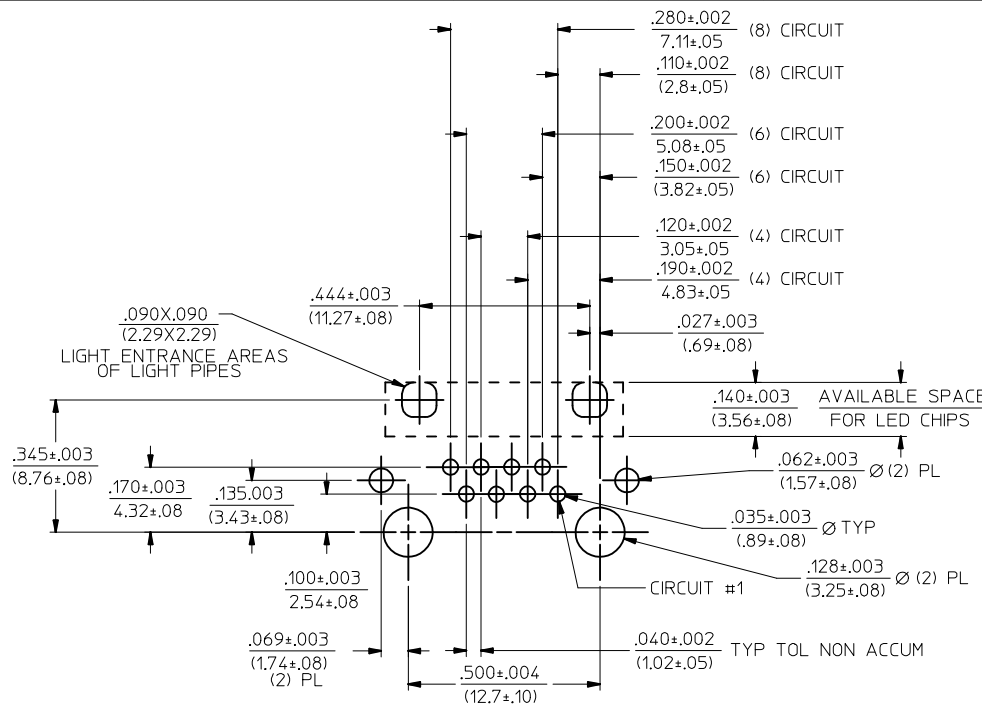
<b>SEE SHEET 1</b> EC NO: UCP2017-0909 DRAWN: AFENG02 2016/10/24 CHKD: APPR: KLANG 2016/10/28 REV:	QUALITY SYMBOLS	GENERAL TOLERANCES (UNLESS SPECIFIED)	DIMENSION STYLE	SCALE	DESIGN UNITS	THIRD ANGLE PROJECTION
	▽=0	mm INCH	IN/MM	4:1	INCH	
	▽=0	4 PLACES ± --- ± ---	DRAWN BY DATE	TITLE	<b>INVERTED MODULAR JACK ASSEMBLY (MINI-PCI COMPLIANT)</b> <b>molex</b>	
	▽=0	3 PLACES ± --- ± ---	MAYO 1999/04/09	SEE CHART		
	2 PLACES ± --- ± ---	CHECKED BY DATE	SD-44380-001	SHEET NO.	THIS DRAWING CONTAINS INFORMATION THAT IS PROPRIETARY TO MOLEX INCORPORATED AND SHOULD NOT BE USED WITHOUT WRITTEN PERMISSION	
	1 PLACE ± --- ± ---	ROBERTS 1999/04/09	3 OF 5			
	0 PLACE ± --- ± ---	APPROVED BY DATE				
		ROBERTS 1999/04/09				
		ANGULAR ±1/2°				
		DRAFT WHERE APPLICABLE MUST REMAIN WITHIN DIMENSIONS				

NOTES

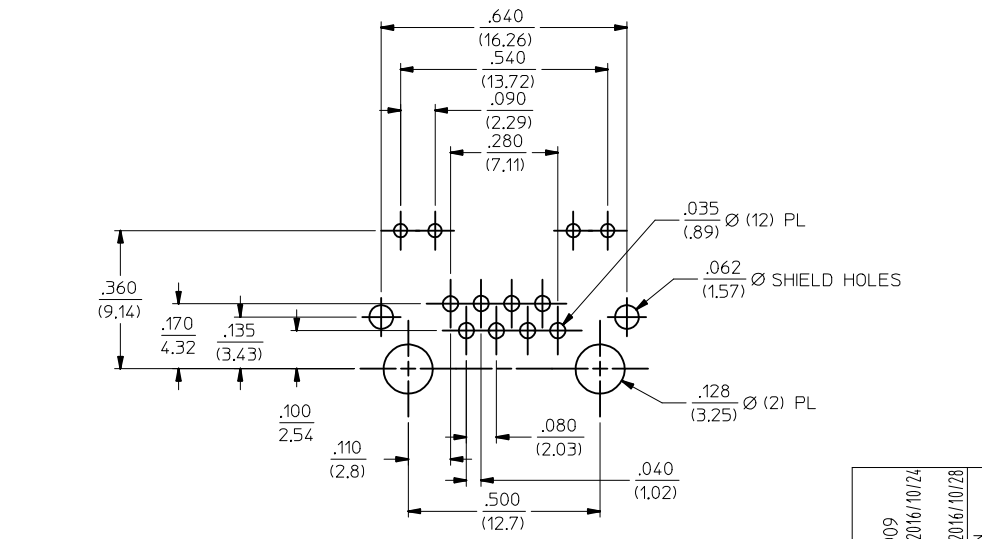
- 1) MATERIAL:  
 HOUSING:  
 GLASS FILLED NYLON, 94V-0, COLOR: BLACK  
 TERMINALS:  
 PHOSPHOR BRONZE, .015/(0.38) THK  
 SHIELD:  
 BRASS  
 LIGHTPIPE:  
 POLYCARBONATE - WAVE OR HAND SOLDER ONLY  
 (NOT DESIGNED FOR I/R REFLOW OR CONVECTION REFLOW  
 SOLDER PROCESSES)  
 POLYSULFONE - MAXIMUM REFLOW TEMPERATURE: 400°F (205°C)
- 2) PLATING:  
 TERMINAL:  
 SELECT GOLD IN CONTACT AREA: 50 MICROINCHES (1.27 MICROMETERS) MIN.,  
 SELECT TIN IN PC TAIL AREA: 100 MICROINCHES (2.54 MICROMETERS) MIN.,  
 WITH OVERALL NICKEL UNDERPLATE: 50 MICROINCHES (1.27 MICROMETERS) MIN.  
 SHIELD:  
 100 MICROINCHES (2.54 MICROMETERS) NICKEL OVER 50 MICROINCHES  
 (1.27 MICROMETERS) COPPER UNDERPLATE; PCB GROUND TABS DIPPED IN TIN.
- 3) PRODUCT SPECIFICATION:  
 CONNECTOR PERFORMANCE SPECIFICATIONS PER MOLEX  
 PRODUCT SPECIFICATION PS-43860-003.
- 4) PACKAGING:  
 CONNECTOR ASSEMBLIES IN THERMOFORMED TRAYS  
 PER PACKAGING SPECIFICATION PK-44380-005 .
- 5) APPLICATION SPECIFICATION: AS-43860-001.
- 6) ALL UNTOLERANCED DIMENSIONS ARE SHOWN FOR  
 REFERENCE ONLY.
- 7) CONFORMS TO F.C.C. REGULATION PART 68.5  
 FOR MODULAR JACKS.
- 8) AVAILABLE WITH THE (2) SPECIFIED PANEL GROUND TABS  
 OMITTED FOR SIDE TO SIDE STACKABILITY, PER THE  
 ASSEMBLY MATERIAL NUMBER TABLE.
- 9) REFER TO SHEET (5) OF (5) FOR RECOMMENDED PCB LAYOUT.
- 10) THIS PART CONFORMS TO CLASS B REQUIREMENTS OF COSMETIC  
 SPECIFICATION PS-45499-002.



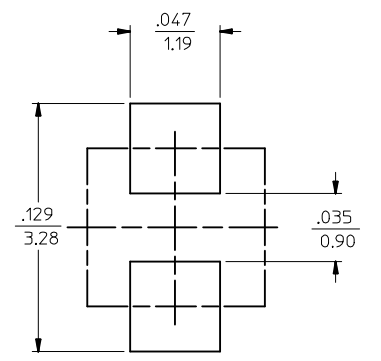
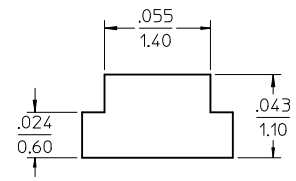
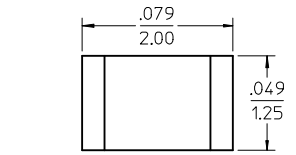
MATERIAL NUMBER					LIGHTPIPE MATERIAL		CONN SIZE		DIM. "A"		CIRCUITS		PANEL GROUND TABS																																								
44380-0016					POLYCARBONATE		8		.470/11,94		8		SEE NOTE #8																																								
<table border="1"> <tr> <td rowspan="2">                 SEE SHEET 1                  EC NO: UCP2017-0909                  DRWNAFENG02 2016/10/24                  CHKD:                  APPR:KLANG 2016/10/28             </td> <td>QUALITY SYMBOLS</td> <td colspan="2">GENERAL TOLERANCES (UNLESS SPECIFIED)</td> <td colspan="2">DIMENSION STYLE</td> <td>SCALE</td> <td>DESIGN UNITS</td> <td colspan="2">THIRD ANGLE PROJECTION</td> </tr> <tr> <td>                 ▽=0                  ▽=0                  ▽=0             </td> <td>mm</td> <td>INCH</td> <td>IN/MM</td> <td>DATE</td> <td>4:1</td> <td>INCH</td> <td colspan="2">                 INVERTED MODULAR JACK ASSEMBLY (MINI-PCI COMPLIANT)             </td> </tr> <tr> <td rowspan="2">                 C4                  REV             </td> <td>                 4 PLACES ± --- ± ---                  3 PLACES ± --- ± ---                  2 PLACES ± --- ± ---                  1 PLACE ± --- ± ---                  0 PLACE ± --- ± ---             </td> <td colspan="2">                 DRAWN BY MAYO DATE 1999/04/09                  CHECKED BY ROBERTS DATE 1999/04/09                  APPROVED BY ROBERTS DATE 1999/04/09             </td> <td colspan="2">                 TITLE                  MATERIAL NO. SEE CHART                  DOCUMENT NO. SD-44380-001             </td> <td colspan="2">                 SHEET NO. 4 OF 5             </td> <td colspan="2">                 THIS DRAWING CONTAINS INFORMATION THAT IS PROPRIETARY TO MOLEX INCORPORATED AND SHOULD NOT BE USED WITHOUT WRITTEN PERMISSION             </td> </tr> <tr> <td colspan="2">                 ANGULAR ±1/2°                  DRAFT WHERE APPLICABLE MUST REMAIN WITHIN DIMENSIONS             </td> <td colspan="2">                 SIZE C             </td> <td colspan="2">                 MOLEX             </td> <td colspan="2">                 MOLEX             </td> <td colspan="2">                 MOLEX             </td> </tr> </table>															SEE SHEET 1 EC NO: UCP2017-0909 DRWNAFENG02 2016/10/24 CHKD: APPR:KLANG 2016/10/28	QUALITY SYMBOLS	GENERAL TOLERANCES (UNLESS SPECIFIED)		DIMENSION STYLE		SCALE	DESIGN UNITS	THIRD ANGLE PROJECTION		▽=0 ▽=0 ▽=0	mm	INCH	IN/MM	DATE	4:1	INCH	INVERTED MODULAR JACK ASSEMBLY (MINI-PCI COMPLIANT)		C4 REV	4 PLACES ± --- ± --- 3 PLACES ± --- ± --- 2 PLACES ± --- ± --- 1 PLACE ± --- ± --- 0 PLACE ± --- ± ---	DRAWN BY MAYO DATE 1999/04/09 CHECKED BY ROBERTS DATE 1999/04/09 APPROVED BY ROBERTS DATE 1999/04/09		TITLE MATERIAL NO. SEE CHART DOCUMENT NO. SD-44380-001		SHEET NO. 4 OF 5		THIS DRAWING CONTAINS INFORMATION THAT IS PROPRIETARY TO MOLEX INCORPORATED AND SHOULD NOT BE USED WITHOUT WRITTEN PERMISSION		ANGULAR ±1/2° DRAFT WHERE APPLICABLE MUST REMAIN WITHIN DIMENSIONS		SIZE C		MOLEX		MOLEX		MOLEX	
SEE SHEET 1 EC NO: UCP2017-0909 DRWNAFENG02 2016/10/24 CHKD: APPR:KLANG 2016/10/28	QUALITY SYMBOLS	GENERAL TOLERANCES (UNLESS SPECIFIED)		DIMENSION STYLE		SCALE	DESIGN UNITS	THIRD ANGLE PROJECTION																																													
	▽=0 ▽=0 ▽=0	mm	INCH	IN/MM	DATE	4:1	INCH	INVERTED MODULAR JACK ASSEMBLY (MINI-PCI COMPLIANT)																																													
C4 REV	4 PLACES ± --- ± --- 3 PLACES ± --- ± --- 2 PLACES ± --- ± --- 1 PLACE ± --- ± --- 0 PLACE ± --- ± ---	DRAWN BY MAYO DATE 1999/04/09 CHECKED BY ROBERTS DATE 1999/04/09 APPROVED BY ROBERTS DATE 1999/04/09		TITLE MATERIAL NO. SEE CHART DOCUMENT NO. SD-44380-001		SHEET NO. 4 OF 5		THIS DRAWING CONTAINS INFORMATION THAT IS PROPRIETARY TO MOLEX INCORPORATED AND SHOULD NOT BE USED WITHOUT WRITTEN PERMISSION																																													
	ANGULAR ±1/2° DRAFT WHERE APPLICABLE MUST REMAIN WITHIN DIMENSIONS		SIZE C		MOLEX		MOLEX		MOLEX																																												



MOLEX RECOMMENDED  
PC BOARD LAYOUT  
COMPONENT SIDE OF BOARD  
RECOMMENDED PC BOARD THICKNESS: .039/1.00



TYPICAL COMPETITION  
PCB LAYOUT WITH  
INTEGRAL LED'S  
(SHOWN FOR REFERENCE ONLY)  
RECOMMENDED PC BOARD THICKNESS: .039/1.00



RECOMMENDED SMT  
LED DIMENSIONS  
SCALE 20:1  
(SEE NOTE 1)

RECOMMENDED SMT  
LED SOLDER PATTERN  
SCALE 20:1  
(SEE NOTE 1)

NOTES:  
1. FOR CROSS REFERENCE OF RECOMMENDED LEDS SEE MOLEX WEB SITE.

SEE SHEET 1 EC NO: UCP2017-0909 DRAWN: FENGZ 2016/10/24 CHKD: APPR: KLANG 2016/10/28	QUALITY SYMBOLS	GENERAL TOLERANCES (UNLESS SPECIFIED)	DIMENSION STYLE	SCALE	DESIGN UNITS	THIRD ANGLE PROJECTION
	▽=0	mm INCH	IN/MM	4:1	INCH	
	▽=0	4 PLACES ± --- ± ---	DRAWN BY DATE	TITLE	INVERTED MODULAR JACK ASSEMBLY (MINI-PCI COMPLIANT)	molex
	▽=0	3 PLACES ± --- ± ---	MAYO 1999/04/09	INTEGRAL LED'S		
▽=0	2 PLACES ± --- ± ---	ROBERTS 1999/04/09				
		1 PLACE ± --- ± ---	APPROVED BY DATE	ROBERTS 1999/04/09	DOCUMENT NO.	SHEET NO.
		0 PLACE ± --- ± ---	MATERIAL NO.	SEE CHART	SD-44380-001	5 OF 5
			ANGULAR ±1/2°	THIS DRAWING CONTAINS INFORMATION THAT IS PROPRIETARY TO MOLEX INCORPORATED AND SHOULD NOT BE USED WITHOUT WRITTEN PERMISSION		