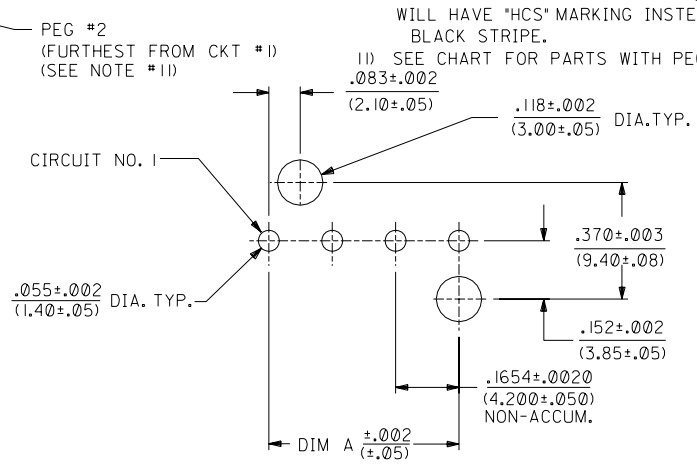


LEGEND:
 44472 - ** **
 CIRCUIT SIZE
 (04-12 FOR SINGLE ROW)
 (02-24 FOR DUAL ROW)
 ASSEMBLY VERSION
 (01 THRU 49 FOR SINGLE ROW)
 (50 THRU 99 FOR DUAL ROW)

SEE SHT. 2 FOR DUAL ROW
 • THE CHART FOR SINGLE ROW PRODUCT IS ON PAGE 7



RECOMMENDED HOLE LAYOUT FOR
 .070/(1.78) MAX. THICK P. C. BOARD
 (SEE NOTE 4)

- NOTES:
- HOUSING MATERIAL:
 - 1 - NYLON 6/6, U.L. 94V-2, COLOR: NATURAL.
 - 2 - NYLON 6/6, U.L. 94V-0, COLOR: NATURAL.
 - 3 - NYLON 6/6, U.L. 94V-2, COLOR: DYED BLACK.
 - TERMINAL MATERIAL: OLIN ALLOY CI97
 - PART MATES WITH MIN.I-FIT JR. RECEPTACLE NO. 5557.
 - PART IS DESIGNED IN METRIC.
 - TERMINAL PLATING:
 - 1 - BRIGHT TIN 100 M.I. MIN. OVER 50 M.I. MIN. NICKEL
 - 2 - SELECTIVE GOLD 30 M.I. MIN. WITH SELECT BRIGHT TIN 100 M.I. MIN. OVER 50 M.I. MIN. NICKEL OVERALL.
 - THE PRIMARY SHIPPING CARTON WILL BE LABELED "COMPLIANT TO ROHS DIRECTIVE 2002/95/EC AND ELV ANNEX II OF DIRECTIVE 2000/53/EC". CARTONS WITHOUT THIS LABEL MAY CONTAIN PRODUCT WITH TIN-LEAD PLATING.

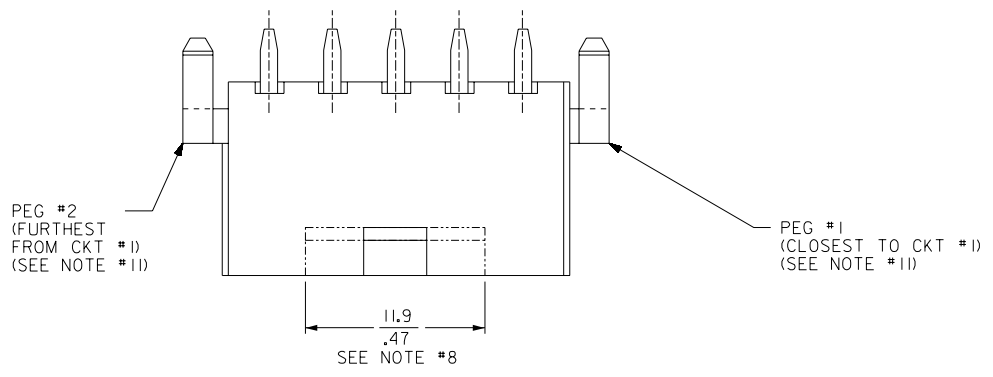
- PRODUCT SPECIFICATION AND PROCESSING PARAMETERS SEE: PSX-44476-0001.
- PARTS ARE NOT TO BE MATED OR UNMATED WHILE CIRCUITS ARE LIVE.
- 44472-2470 ONLY FOR WIDER LOCKING RAMP
- SEE THE CHART FOR PACKAGING REQUIREMENTS.
- PARTS PRODUCED AFTER JULY 1, 2004 WILL HAVE "HCS" MARKING INSTEAD OF BLACK STRIPE.

11) SEE CHART FOR PARTS WITH PEGS REMOVED
 .083±.002

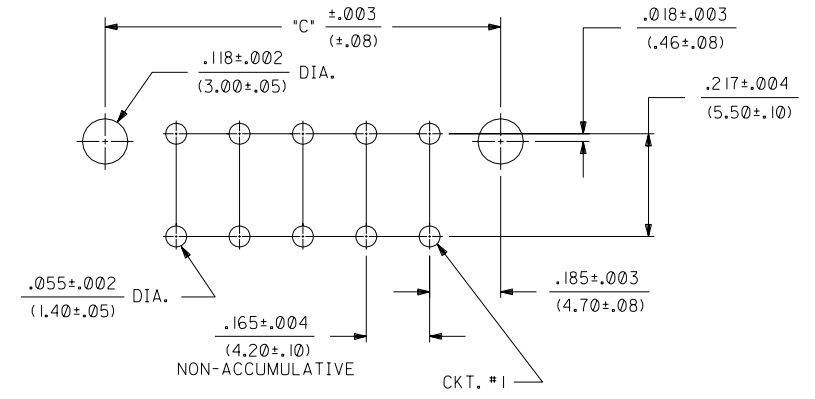
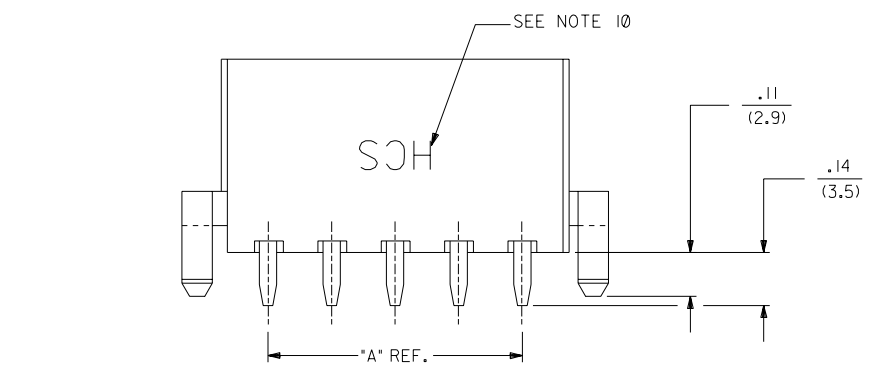
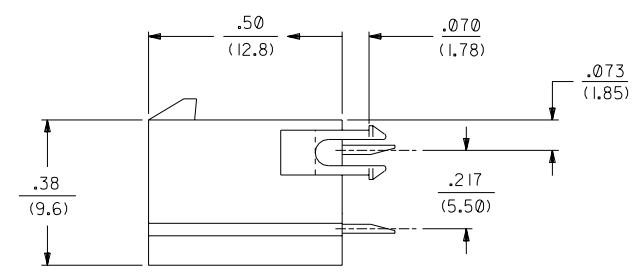
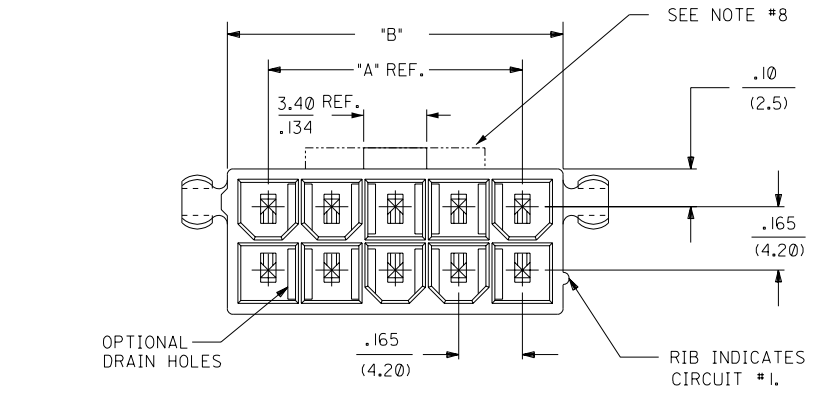
CKT SIZE	DIM A	DIM B
4	.496 (12.60)	.709 (18.00)
5	.661 (16.80)	.874 (22.20)
6	.827 (21.00)	1.039 (26.40)
7	.992 (25.20)	1.205 (30.60)
8	1.157 (29.40)	1.370 (34.80)
9	1.323 (33.60)	1.535 (39.00)
10	1.488 (37.80)	1.701 (43.20)
11	1.654 (42.00)	1.866 (47.40)
12	1.819 (46.20)	2.031 (51.60)

8	D5
7	H
6	E
5	E
4	E
3	E
2	HI
1	HI

DIMENSIONS SHOWN (METRIC) INCH UNLESS OTHERWISE SPECIFIED TOLERANCES: ANGULAR ± 1/2°		▽ = 0 ▼ = 0 REVISE ONLY ON CAD SYSTEM																	
<table border="1"> <tr><th colspan="2">INCH</th><th colspan="2">METRIC</th></tr> <tr><td>3 PLACE</td><td>± .015</td><td>--</td><td>--</td></tr> <tr><td>2 PLACE</td><td>± --</td><td>± .38</td><td>--</td></tr> <tr><td>1 PLACE</td><td>--</td><td>± --</td><td>--</td></tr> </table>		INCH		METRIC		3 PLACE	± .015	--	--	2 PLACE	± --	± .38	--	1 PLACE	--	± --	--	TITLE VERT. HEADER ASS'Y., WITH & W/O PEGS & DRAIN HOLES, SINGLE & DUAL ROW, MIN.I-FIT H.C.S. SERIES	
INCH		METRIC																	
3 PLACE	± .015	--	--																
2 PLACE	± --	± .38	--																
1 PLACE	--	± --	--																
DRAWG. BY: GEP CHK'D. BY: RJF APP'D. BY: RJF SCALE: 4 : 1		PART NO. SDA-44472-**** SHEET NO. 1 OF 8 DATE 7/25/94																	
ADD NOTE 10 UCP2004-2049 SLINEHAN 04/04/15		MFG. SH. REV.																	
LTR.	REVISIONS	LTR.	REVISIONS																



CIRCUIT SIZE	DIM. "A"	DIM. "B"	DIM. "C"
2	—	.21 (5.4)	.370 (9.40)
4	.17 (4.2)	.38 (9.6)	.535 (13.60)
6	.33 (8.4)	.54 (13.8)	.701 (17.80)
8	.50 (12.6)	.71 (18.0)	.866 (22.00)
10	.66 (16.8)	.87 (22.2)	1.031 (26.20)
12	.83 (21.0)	1.04 (26.4)	1.197 (30.40)
14	.99 (25.2)	1.20 (30.6)	1.362 (34.60)
16	1.16 (29.4)	1.37 (34.8)	1.528 (38.80)
18	1.32 (33.6)	1.54 (39.0)	1.693 (43.00)
20	1.49 (37.8)	1.70 (43.2)	1.858 (47.20)
22	1.65 (42.0)	1.87 (47.4)	2.024 (51.40)
24	1.82 (46.2)	2.03 (51.6)	2.189 (55.60)



RECOMMENDED HOLE LAYOUT FOR .070/(1.78) MAX. THICK P. C. BOARD
(SEE NOTE 4.)

SEE SHT. 1 FOR SINGLE ROW

DIMENSIONS SHOWN (METRIC) INCH		▽ = 0 ▼ = 0 REVISE ONLY ON CAD SYSTEM	
UNLESS OTHERWISE SPECIFIED TOLERANCES: ANGULAR ± 1/2°		TITLE	
INCH METRIC		VERT. HEADER ASS'Y., WITH & W/O PEGS & DRAIN HOLES, SINGLE & DUAL ROW, MINI-FIT H.C.S. SERIES	
5 PLACE ± .015	---	MOLEX INCORPORATED SHEET NO. DATE	
2 PLACE ± --- ± .38	---	L15LEJLL. 60532 U.S.A. 2 7/26/94	
1 PLACE --- ± ---	---	PART NO. DRWG. NO.	
DRAFT WHERE APPLICABLE MUST REMAIN WITHIN DIMENSIONS		SEE CHARTS SDA-44472-****	
DRWG. BY: GEP	CHK'D. BY: RJF	FILE NAME: S44472X2.DGN	
APP'D. BY: RJF	SCALE: 4 : 1	THIS DRAWING CONTAINS INFORMATION THAT IS PROPRIETARY TO MOLEX INC. AND SHOULD NOT BE USED WITHOUT WRITTEN PERMISSION.	
LTR. REVISIONS	LTR. REVISIONS	DIV. CP	SIZE C

	13	12	11	10	9	8	7	6	44472	4	3	2	1
J	PLATING: 1 (SEE NOTE 5)			PLATING: 1 (SEE NOTE 5)			PLATING: 1 (SEE NOTE 5)			PLATING: 1 (SEE NOTE 5)			
	DRAINS: WITHOUT DRAIN HOLES			DRAINS: WITHOUT DRAIN HOLES			DRAINS: WITH DRAIN HOLES			DRAINS: WITH DRAIN HOLES			
	PEGS: WITH PEGS			PEGS: WITH PEGS			PEGS: WITH PEGS			PEGS: WITH PEGS			
	MAT'L: 94V-2 [NATURAL]			MAT'L: 94V-0 [NATURAL]			MAT'L: 94V-2 [NATURAL]			MAT'L: 94V-0 [NATURAL]			
	PACKAGING: PK-44472-001			PACKAGING: PK-44472-001			PACKAGING: PK-44472-001			PACKAGING: PK-44472-001			
I	ITEM NO.		CKTS	ITEM NO.		CKTS	ITEM NO.		CKTS	ITEM NO.		CKTS	
	44472-0250		2	44472-0251		2	44472-0252		2	44472-0253		2	
	44472-0450		4	44472-0451		4	44472-0452		4	44472-0453		4	
	44472-0650		6	44472-0651		6	44472-0652		6	44472-0653		6	
	44472-0850		8	44472-0851		8	44472-0852		8	44472-0853		8	
	44472-1050		10	44472-1051		10	44472-1052		10	44472-1053		10	
	44472-1250		12	44472-1251		12	44472-1252		12	44472-1253		12	
	44472-1450		14	44472-1451		14	44472-1452		14	44472-1453		14	
	44472-1650		16	44472-1651		16	44472-1652		16	44472-1653		16	
	44472-1850		18	44472-1851		18	44472-1852		18	44472-1853		18	
	44472-2050		20	44472-2051		20	44472-2052		20	44472-2053		20	
X	44472-2250		22	X 44472-2251		22	X 44472-2252		22	X 44472-2253		22	
	44472-2450		24	44472-2451		24	44472-2452		24	44472-2453		24	

G	PLATING: 1 (SEE NOTE 5)			PLATING: 1 (SEE NOTE 5)		
	DRAINS: WITHOUT DRAIN HOLES			DRAINS: WITHOUT DRAIN HOLES		
	PEGS: WITHOUT PEGS			PEGS: WITHOUT PEGS		
	MAT'L: 94V-2 [NATURAL]			MAT'L: 94V-0 [NATURAL]		
	PACKAGING: PK-44472-001			PACKAGING: PK-44472-001		
F	ITEM NO.	HOUSING NO.	CKTS	ITEM NO.		CKTS
	44472-0254		2	44472-0255		2
	44472-0454		4	44472-0455		4
	44472-0654		6	44472-0655		6
	44472-0854		8	44472-0855		8
	44472-1054		10	44472-1055		10
	44472-1254		12	44472-1255		12
	44472-1454		14	44472-1455		14
	44472-1654		16	44472-1655		16
	44472-1854		18	44472-1855		18
	44472-2054		20	44472-2055		20
	44472-2254		22	44472-2255		22
	44472-2454		24	44472-2455		24

* ITEMS PRECEDED BY AN *X* ARE NOT AVAILABLE.

DIMENSIONS SHOWN (METRIC) INCH		UNLESS OTHERWISE SPECIFIED TOLERANCES: ANGULAR ± 1/2°		REVISIONS		REVISIONS		REVISIONS		REVISIONS		REVISIONS	
INCH		METRIC		E		D5		D		LTR.		LTR.	
5 PLACE ± .010		---		SEE SHT. 1		SEE SHT. 1		SEE SHT. 1		LTR.		LTR.	
2 PLACE ± .015		± 0.25								APP'D. BY RRE		SCALE 2 : 1	
1 PLACE ---		± 0.38								DRWG. NO. SDA-44472-001		SHEET NO. 3	
DRAFT WHERE APPLICABLE MUST REMAIN WITHIN DIMENSIONS		DATE 99/02/22		DRWG. BY MAB		FILE NAME SDA44472X1		DIV. CP		THIS DRAWING CONTAINS INFORMATION THAT IS PROPRIETARY TO MOLEX INC. AND SHOULD NOT BE USED WITHOUT WRITTEN PERMISSION.		SIZE CP C	