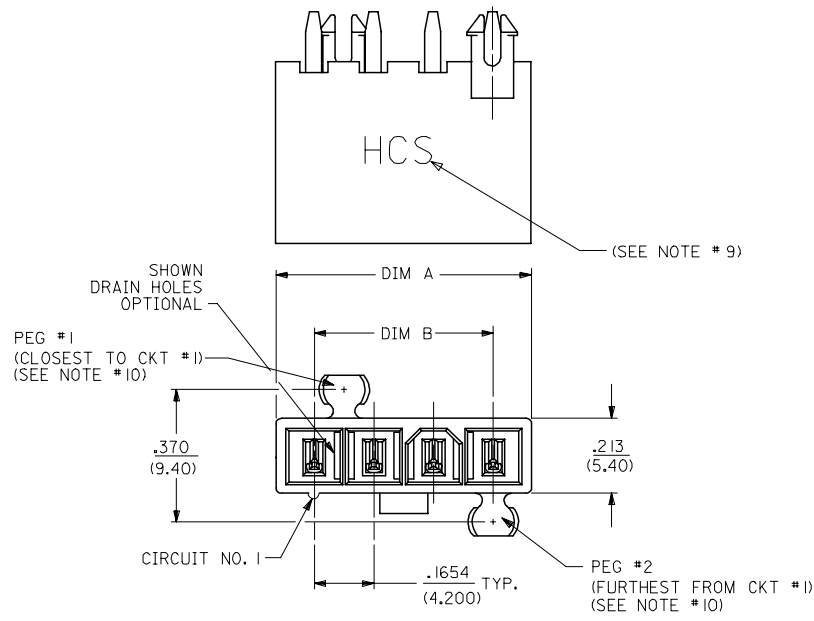
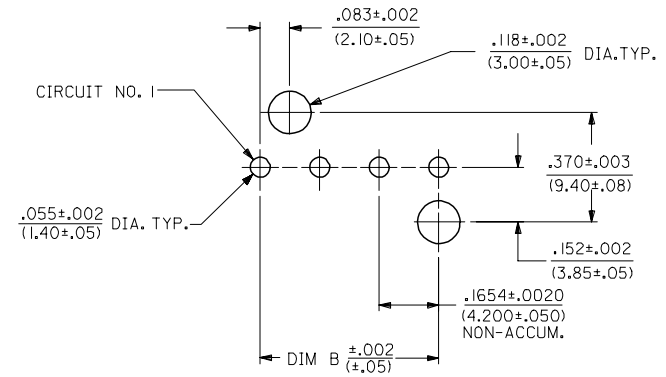
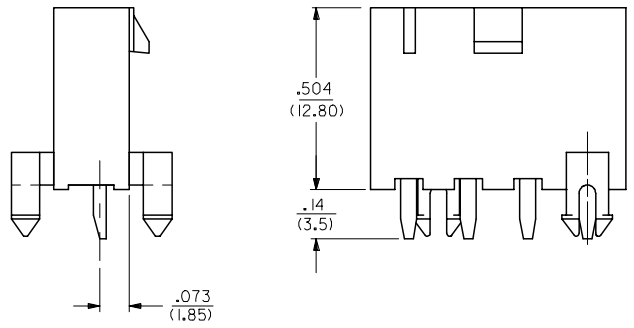


CKT SIZE	DIM A	DIM B
4	.709 (18.00)	.496 (12.60)
5	.874 (22.20)	.661 (16.80)
6	1.039 (26.40)	.827 (21.00)
7	1.205 (30.60)	.992 (25.20)
8	1.370 (34.80)	1.157 (29.40)
9	1.535 (39.00)	1.323 (33.60)
10	1.701 (43.20)	1.488 (37.80)
11	1.866 (47.40)	1.654 (42.00)
12	2.031 (51.60)	1.819 (46.20)



- NOTES:
- MATERIALS:
HOUSING:
1=NYLON 6/6, UL94 V-2, COLOR: NATURAL
2=NYLON 6/6, UL94 V-0, COLOR: NATURAL
3=NYLON 6/6, UL94 V-2, COLOR: BLACK
TERMINALS:
COPPER ALLOY
 - TERMINAL PLATING:
1=.000100/(0.00254) MIN. BRIGHT TIN OVER
.000050/(0.00127) MIN. NICKEL
2=.000030/(0.00076) MIN. SELECT GOLD AND
.000100/(0.00254) MIN. SELECT MATTE TIN
OVER .000050/(0.00127) MIN. NICKEL OVERALL
3=.000100/(0.00254) MIN. MATTE TIN OVER
.000050/(0.00127) MIN. NICKEL
*THE PRIMARY SHIPPING CARTON WILL BE LABELED
"ELV AND RoHS COMPLIANT"; CARTONS WITHOUT THIS
LABEL MAY CONTAIN PRODUCT WITH TIN-LEAD PLATING.
 - PRODUCT SPECIFICATION: PS-44476-001
 - PACKAGING: SEE CHARTS
 - PART MATES WITH MINI-FIT JR. RECEPTACLE NO. 5557.
 - PART IS NOT DESIGNED FOR CURRENT SHARING.
 - PARTS ARE NOT TO BE MATED OR UN-MATED WHILE
CIRCUITS ARE LIVE.
 - 44472-2470 ONLY FOR WIDER LOCKING RAMP.
 - PARTS PRODUCED AFTER JULY 1, 2004 WILL HAVE "HCS"
MARKING INSTEAD OF BLACK STRIPE.
 - SEE CHART FOR PARTS WITH PEGS REMOVED.
 - PART CONFORMS TO CLASS 'B' REQUIREMENTS OF
COSMETIC SPECIFICATION PS-45499-002.



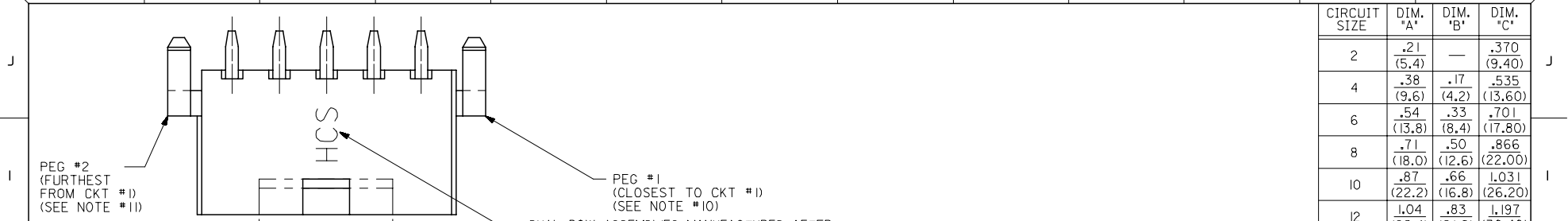
10	L
9	L
8	L
7	L
6	L
5	L
4	L
3	L
2	L
1	L
SHT	REV

LEGEND:
 44472 - ** **
 CIRCUIT SIZE
 (04-12 FOR SINGLE ROW)
 (02-24 FOR DUAL ROW)
 ASSEMBLY VERSION
 (01 THRU 49 FOR SINGLE ROW)
 (50 THRU 99 FOR DUAL ROW)

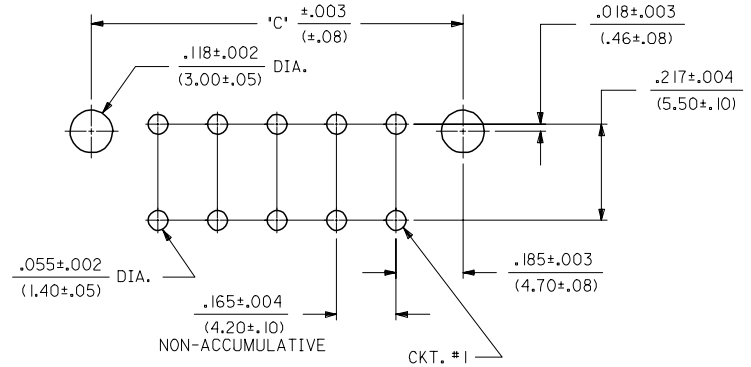
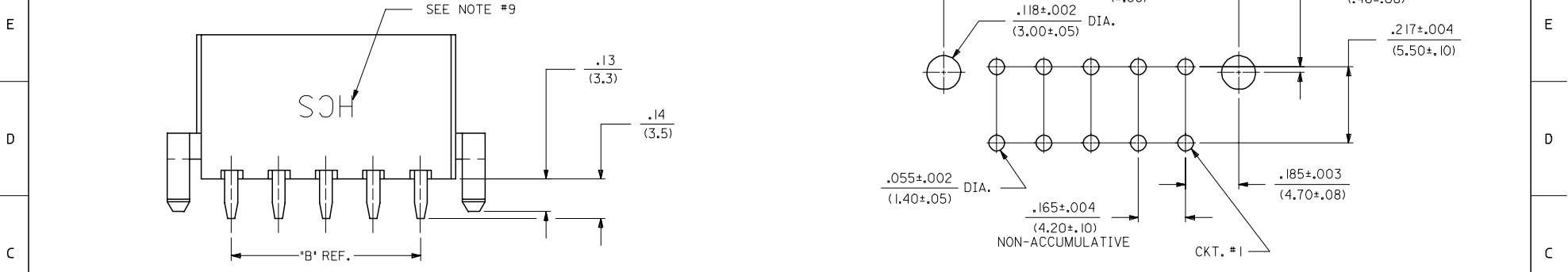
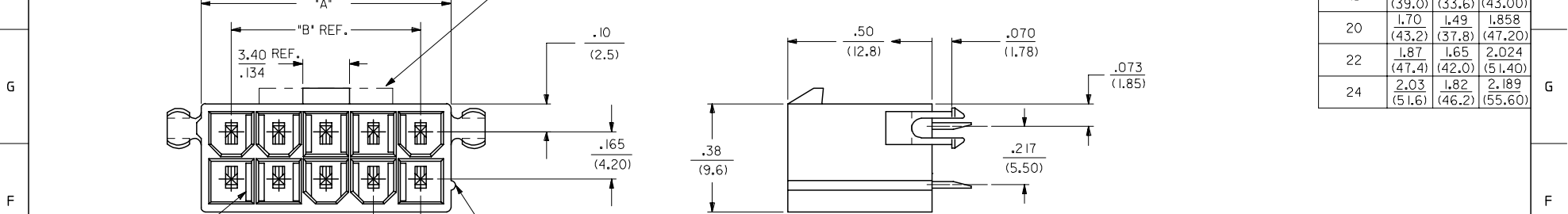
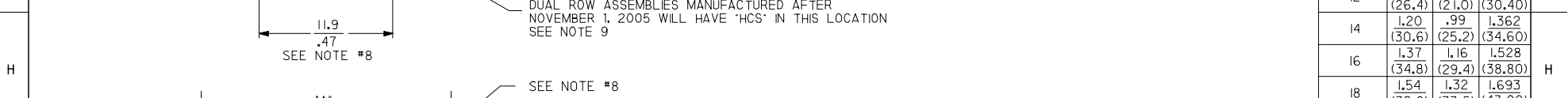
SEE SHT. 2 FOR DUAL ROW
 * THE CHART FOR SINGLE ROW PRODUCT IS ON PAGE 7

STANDARDIZE NOTES EC NO: UCP2008-0153 DRW:LSCHM1DT 2007/09/26 CHKD:ADERR 2007/09/26 APPR:FSM TH 2007/09/26	QUALITY SYMBOLS =0 =0	GENERAL TOLERANCES (UNLESS SPECIFIED)		DIMENSION STYLE		SCALE	DESIGN UNITS	THIRD ANGLE PROJECTION	
		mm	INCH	IN/MM	DATE	4:1	METRIC		
		4 PLACES ± --- ± ---		DRAWN BY	DATE	molex	SDA-44472-****	MINI-FIT VERT HDR ASSY W & W/O PEGS/DRAIN HOLES SINGLE AND DUAL ROW	
		3 PLACES ± --- ± .015		GEP	1994/07/25				
		2 PLACES ± 0.38 ± .020		CHECKED BY	DATE				
		1 PLACE ± 0.50 ± ---		RJF	1994/07/25				
		ANGULAR ±1/2°		APPROVED BY	DATE				
				RJF	1994/07/25			MOLEX INCORPORATED	
				MATERIAL NO.				DOCUMENT NO.	
				DRAFT WHERE APPLICABLE MUST REMAIN WITHIN DIMENSIONS		SEE CHARTS		SHEET NO. 1 OF 10	
				THIS DRAWING CONTAINS INFORMATION THAT IS PROPRIETARY TO MOLEX INCORPORATED AND SHOULD NOT BE USED WITHOUT WRITTEN PERMISSION					

13 12 11 10 9 8 7 6 5 4 3 2 1



CIRCUIT SIZE	DIM. 'A'	DIM. 'B'	DIM. 'C'
2	.21 (5.4)	—	.370 (9.40)
4	.38 (9.6)	.17 (4.2)	.535 (13.60)
6	.54 (13.8)	.33 (8.4)	.701 (17.80)
8	.71 (18.0)	.50 (12.6)	.866 (22.00)
10	.87 (22.2)	.66 (16.8)	1.031 (26.20)
12	1.04 (26.4)	.83 (21.0)	1.197 (30.40)
14	1.20 (30.6)	.99 (25.2)	1.362 (34.60)
16	1.37 (34.8)	1.16 (29.4)	1.528 (38.80)
18	1.54 (39.0)	1.32 (33.6)	1.693 (43.00)
20	1.70 (43.2)	1.49 (37.8)	1.858 (47.20)
22	1.87 (47.4)	1.65 (42.0)	2.024 (51.40)
24	2.03 (51.6)	1.82 (46.2)	2.189 (55.60)



RECOMMENDED HOLE LAYOUT FOR .070/(1.78) MAX. THICK P. C. BOARD
VIEWED FROM COMPONENT SIDE

SEE SHT. I FOR SINGLE ROW

STANDARDIZE NOTES EC NO: UCP2008-0153 DRAWN: SCHMIDT 2007/09/26 CHKD: ADERR 2007/09/26 APPR: FSM TH 2007/09/26	QUALITY SYMBOLS 	GENERAL TOLERANCES (UNLESS SPECIFIED)		DIMENSION STYLE IN/MM		SCALE 4:1	DESIGN UNITS METRIC	THIRD ANGLE PROJECTION	
		mm	INCH	DRAWN BY	DATE	TITLE			
		4 PLACES ± --- ± ---	± .015	GEP	1994/07/26	MINI-FIT VERT HDR ASSY W & W/O PEGS/DRAIN HOLES SINGLE AND DUAL ROW			
		3 PLACES ± --- ± .020	± .020	CHECKED BY	DATE	MOLEX INCORPORATED			
2 PLACES ± 0.38 ± .020	± .020	RJF	1994/07/26	MATERIAL NO.		DOCUMENT NO.	SHEET NO.		
1 PLACE ± 0.50 ± ---	± ---	APPROVED BY	DATE	SDA-44472-****		2 OF 10			
ANGULAR ±1/2°		RJF	1994/07/26	THIS DRAFTING CONTAINS INFORMATION THAT IS PROPRIETARY TO MOLEX INCORPORATED AND SHOULD NOT BE USED WITHOUT WRITTEN PERMISSION					
DRAFT WHERE APPLICABLE MUST REMAIN WITHIN DIMENSIONS		SEE CHARTS							

	13	12	11	10	9	8	7	6	5	4	3	2	1	
J	PLATING: I (SEE NOTE 2)			PLATING: I (SEE NOTE 2)			PLATING: I (SEE NOTE 2)			PLATING: I (SEE NOTE 2)				
	DRAINS: WITHOUT DRAIN HOLES			DRAINS: WITHOUT DRAIN HOLES			DRAINS: WITH DRAIN HOLES			DRAINS: WITH DRAIN HOLES			J	
	PEGS: WITH PEGS			PEGS: WITH PEGS			PEGS: WITH PEGS			PEGS: WITH PEGS				
	MAT'L: 94V-2 [NATURAL]			MAT'L: 94V-0 [NATURAL]			MAT'L: 94V-2 [NATURAL]			MAT'L: 94V-0 [NATURAL]				
	PACKAGING: PK-44472-001			PACKAGING: PK-44472-001			PACKAGING: PK-44472-001			PACKAGING: PK-44472-001				
I	ITEM NO.		CKTS	ITEM NO.		CKTS	ITEM NO.		CKTS	ITEM NO.		CKTS		
	44472-0250		2	44472-0251		2	44472-0252		2	44472-0253		2		
	44472-0450		4	44472-0451		4	44472-0452		4	44472-0453		4		
	44472-0650		6	44472-0651		6	44472-0652		6	44472-0653		6		
	44472-0850		8	44472-0851		8	44472-0852		8	44472-0853		8		
	44472-1050		10	44472-1051		10	44472-1052		10	44472-1053		10		
	44472-1250		12	44472-1251		12	44472-1252		12	44472-1253		12		
	44472-1450		14	44472-1451		14	44472-1452		14	44472-1453		14		
	44472-1650		16	44472-1651		16	44472-1652		16	44472-1653		16		
H	44472-1850		18	44472-1851		18	44472-1852		18	44472-1853		18		
	44472-2050		20	44472-2051		20	44472-2052		20	44472-2053		20		
	44472-2250		22	44472-2251		22	44472-2252		22	44472-2253		22		
	44472-2450		24	44472-2451		24	44472-2452		24	44472-2453		24		

G	PLATING: I (SEE NOTE 2)			PLATING: I (SEE NOTE 2)									
	DRAINS: WITHOUT DRAIN HOLES			DRAINS: WITHOUT DRAIN HOLES									
	PEGS: WITHOUT PEGS			PEGS: WITHOUT PEGS									
	MAT'L: 94V-2 [NATURAL]			MAT'L: 94V-0 [NATURAL]									
	PACKAGING: PK-44472-001			PACKAGING: PK-44472-001									
F	ITEM NO.	HOUSING NO.	CKTS	ITEM NO.		CKTS							
	44472-0254		2	44472-0255		2							
	44472-0454		4	44472-0455		4							
	44472-0654		6	44472-0655		6							
	44472-0854		8	44472-0855		8							
	44472-1054		10	44472-1055		10							
	44472-1254		12	44472-1255		12							
E	44472-1454		14	44472-1455		14							
	44472-1654		16	44472-1655		16							
	44472-1854		18	44472-1855		18							
	44472-2054		20	44472-2055		20							
	44472-2254		22	44472-2255		22							
	44472-2454		24	44472-2455		24							

* ITEMS PRECEDED BY AN "X" ARE NOT AVAILABLE.

PLATING NOTE EC NO: UCP2008-0153 DRW: NLSCHMI DT 2007/09/26 CHKD: ADERR 2007/09/26 APPR: FSM TH 2007/09/26 REVISION DESCRIPTION	QUALITY SYMBOLS = 0 = 0	GENERAL TOLERANCES (UNLESS SPECIFIED) <table border="1"> <tr> <th></th> <th>mm</th> <th>INCH</th> </tr> <tr> <td>4 PLACES</td> <td>± .005</td> <td>± .0004</td> </tr> <tr> <td>3 PLACES</td> <td>± .008</td> <td>± .0005</td> </tr> <tr> <td>2 PLACES</td> <td>± .012</td> <td>± .0007</td> </tr> <tr> <td>1 PLACE</td> <td>± .015</td> <td>± .0009</td> </tr> </table>		mm	INCH	4 PLACES	± .005	± .0004	3 PLACES	± .008	± .0005	2 PLACES	± .012	± .0007	1 PLACE	± .015	± .0009	DIMENSION STYLE IN/MM DRAWN BY DATE LEM 1999/02/22 CHECKED BY DATE MAB 1999/02/22 APPROVED BY DATE RRE 1999/02/22	SCALE --- DESIGN UNITS METRIC THIRD ANGLE PROJECTION	TITLE MINI-FIT VERT HDR ASSY W & W/O PEGS/DRAIN HOLES SINGLE AND DUAL ROW
		mm	INCH																	
	4 PLACES	± .005	± .0004																	
	3 PLACES	± .008	± .0005																	
2 PLACES	± .012	± .0007																		
1 PLACE	± .015	± .0009																		
MATERIAL NO. SEE CHART	DOCUMENT NO. SDA-44472-****	SHEET NO. 3 OF 10																		
DRAFT WHERE APPLICABLE MUST REMAIN WITHIN DIMENSIONS			THIS DRAWING CONTAINS INFORMATION THAT IS PROPRIETARY TO MOLEX INCORPORATED AND SHOULD NOT BE USED WITHOUT WRITTEN PERMISSION																	
MOLEX MOLEX INCORPORATED																				