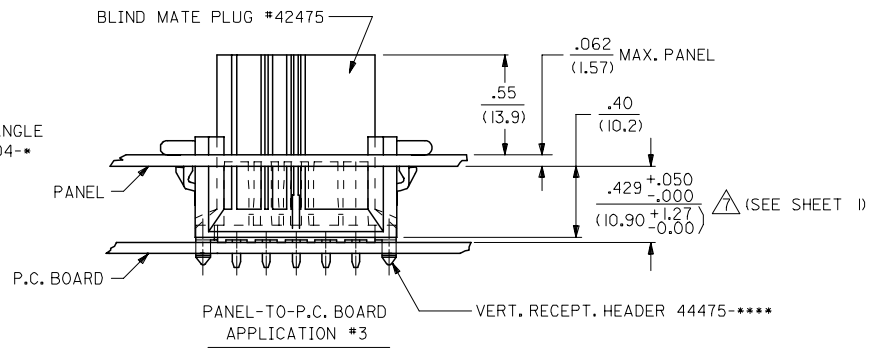
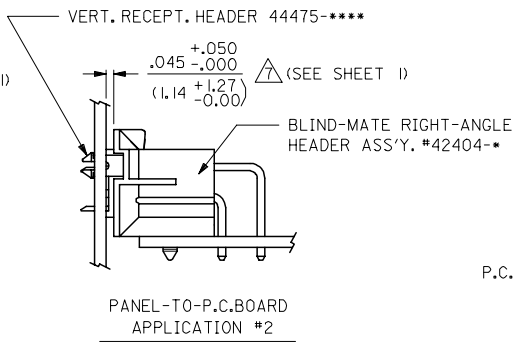
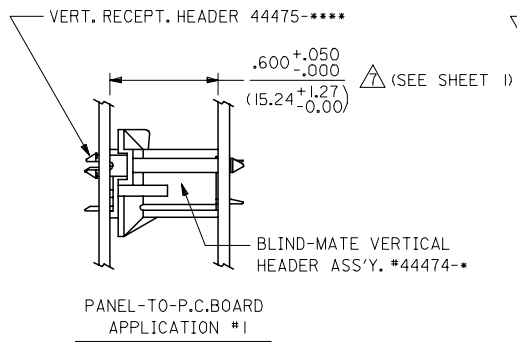
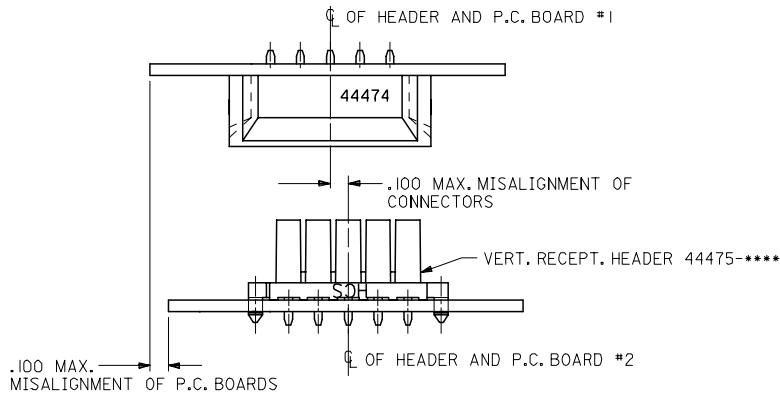


CIRCUIT SIZE	DIM. "A"	DIM. "B"	DIM. "C"
2	—	.21 (5.4)	.370 (9.40)
4	.165 (4.20)	.38 (9.6)	.535 (13.60)
6	.331 (8.40)	.54 (13.8)	.701 (17.80)
8	.496 (12.60)	.71 (18.0)	.866 (22.00)
10	.661 (16.80)	.87 (22.2)	1.031 (26.20)
12	.827 (21.00)	1.04 (26.4)	1.197 (30.40)
14	.992 (25.20)	1.20 (30.6)	1.362 (34.60)
16	1.157 (29.40)	1.37 (34.8)	1.528 (38.80)
18	1.323 (33.60)	1.54 (39.0)	1.693 (43.00)
20	1.488 (37.80)	1.70 (43.2)	1.858 (47.20)
22	1.654 (42.00)	1.87 (47.4)	2.024 (51.40)
24	1.819 (46.20)	2.03 (51.6)	2.189 (55.60)

3	A4
2	C1
1	C2
SHEET REV	

ADDED NOTE 16 EC NO: UCP2009-0054 DRWN: GAVRILL 2008/07/21 CHKD: JEBELL 2008/07/21 APPR: FSMITH 2008/07/28	QUALITY SYMBOLS ▽=0 ▽=0	GENERAL TOLERANCES (UNLESS SPECIFIED) mm INCH	DIMENSION STYLE IN/MM	SCALE 4:1	DESIGN UNITS METRIC	THIRD ANGLE PROJECTION
		DRAWN BY GEP 1994/08/10	CHECKED BY R/JF 1994/08/10	APPROVED BY R/JF 1994/08/10	TITLE VERT HEADER RECEPT ASSY BLIND MATE MINI-FIT HCS SERIES	MOLEX INCORPORATED
DRAFT WHERE APPLICABLE MUST REMAIN WITHIN DIMENSIONS	MATERIAL NO. SEE SHEET 3	DOCUMENT NO. SDA-44475-****	THIS DRAWING CONTAINS INFORMATION THAT IS PROPRIETARY TO MOLEX INCORPORATED AND SHOULD NOT BE USED WITHOUT WRITTEN PERMISSION			



SEE NOTE 15

SEE SHEET 1 FC NO: UCP2006-2258 DRWN:ADRAINOL 2006/04/11 CHKD:GOLGAR 2006/04/11 APPR:ICOMERCJ 2006/04/12 REV: C1	QUALITY SYMBOLS ▽=0 ▽=0	GENERAL TOLERANCES (UNLESS SPECIFIED)		DIMENSION STYLE IN/MM		SCALE 4:1	DESIGN UNITS METRIC	THIRD ANGLE PROJECTION	
		4 PLACES ± --- ± ---	3 PLACES ± --- ± .015	DRAWN BY GEP	DATE 1994/08/10	TITLE VERT HEADER RECEPT ASSY BLIND MATE MINI-FIT HCS SERIES			
		2 PLACES ± 0.38 ± ---	1 PLACE ± --- ± ---	CHECKED BY RJF	DATE 1994/08/10	APPROVED BY RJF			
		ANGULAR ±1/2°		MATERIAL NO. DATE 1994/08/10		MOLEX INCORPORATED			
DRAFT WHERE APPLICABLE MUST REMAIN WITHIN DIMENSIONS		SEE SHEET 3		DOCUMENT NO. SDA-44475-****			SHEET NO. 2 OF 3		
THIS DRAWING CONTAINS INFORMATION THAT IS PROPRIETARY TO MOLEX INCORPORATED AND SHOULD NOT BE USED WITHOUT WRITTEN PERMISSION									

ITEM NUMBER	CKT. SIZE	HOUSING MATERIAL	PLATING (SEE NOTE 2)
X 44475-0211	2	94V-2	I
↑ -0411	4	↑	↑
-0611	6		
X -0811	8		
-1011	10		
X -1211	12		
-1411	14		
X -1611	16		
-1811	18		
X -2011	20		
X ↓ -2211	22	↓	↓

44475-2411	24	94V-2	I
X 44475-0221	2	94V-0	I
↑ -0421	4	↑	↑
-0621	6		
X -0821	8		
-1021	10		
X -1221	12		
-1421	14		
-1621	16		
-1821	18		
X -2021	20		
X ↓ -2221	22	↓	↓
44475-2421	24	94V-0	I

ITEM NUMBER	CKT. SIZE	HOUSING MATERIAL	PLATING (SEE NOTE 2)
X 44475-0222	2	94V-0	2
↑ -0422	4	↑	↑
-0622	6		
X -0822	8		
-1022	10		
X -1222	12		
-1422	14		
X -1622	16		
-1822	18		
X -2022	20		
X ↓ -2222	22	↓	↓
X 44475-2422	24	94V-0	2

ITEM. NO.	CKT. SIZE	HSG. MAT'L.	TERMINAL PLATING REQUIRED AT EACH CIRCUIT LOCATION:																							
			1	2	3	4	5	6	7	8	9	10	11	12	13	14	15	16	17	18	19	20	21	22	23	24
44475-3000	24	94V-0	A	A	-	A	-	A	-	A	-	A	A	A	A	A	-	A	-	A	-	A	-	A	A	A

ITEMS PRECEDED BY "X" ARE NOT AVAILABLE.

DIMENSIONS SHOWN (METRIC) INCH	
UNLESS OTHERWISE SPECIFIED TOLERANCES: ANGULAR ± 1/2°	
INCH	METRIC
3 PLACE ± --- ± ---	---
2 PLACE ± -- ± ---	---
1 PLACE --- ± --	---

DRAFT WHERE APPLICABLE MUST REMAIN WITHIN DIMENSIONS

DRWG. BY	CHK'D. BY
GEP	RJF
APP'D. BY	SCALE
RJF	:

LTR.	REVISIONS	LTR.	REVISIONS
	A3 SEE SHT. I		
	A1 SEE SHEET #1		
	A SEE SHT. I		
	I SEE SHT. I		

▽ = 0 ▼ = 0 REVISE ONLY ON CAD SYSTEM

TITLE: VERTICAL RECEPTACLE HEADER ASS'Y., B.M.I., MINI-FIT H.C.S. SERIES

MOLEX INCORPORATED U.S.A. SHEET NO. 3 DATE 8/10/94

FILE NAME: S44475X3.DGN THIS DRAWING CONTAINS INFORMATION THAT IS PROPRIETARY TO MOLEX INC. AND SHOULD NOT BE USED WITHOUT WRITTEN PERMISSION

44475

A