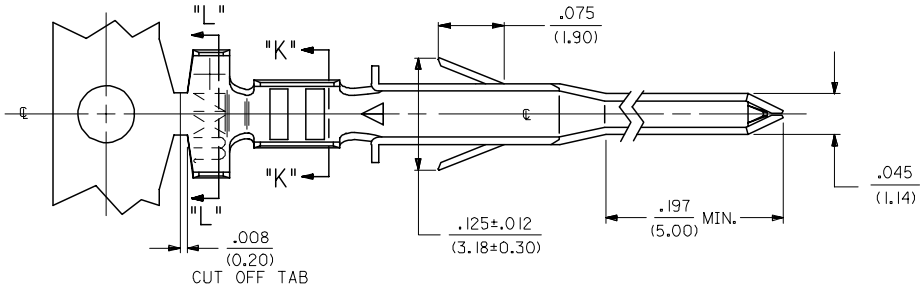
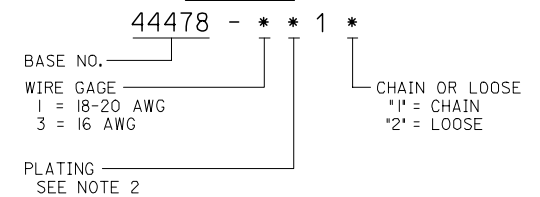


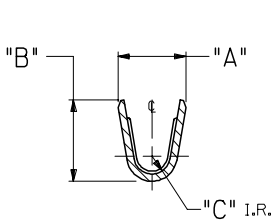
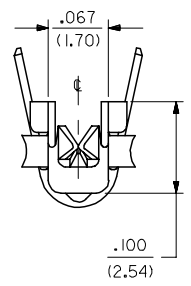
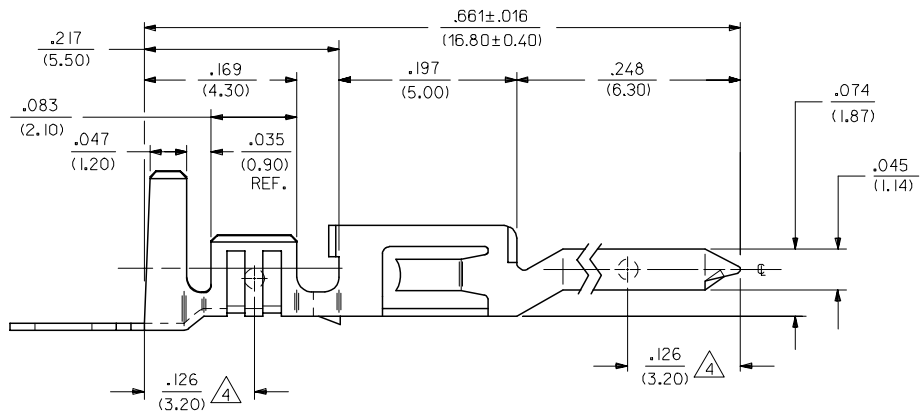
ITEM NO.	FORM	WIRE GAGE	RANGE OF INSULATION DIA.	QUANTITY PER REEL (FORMED)	DIM. "A"	DIM. "B"	DIM. "C"	DIM. "D"	DIM. "E"	DIM. "F"
44478-1111	CHAIN	18-20 GA.	.051-.122 (1.30-3.10)	4,000	.075±.012 (1.90±.30)	.091±.016 (2.30±.40)	.020 (.50)	.142±.012 (3.60±.30)	.177±.016 (4.50±.40)	.035 (.90)
44478-1112	LOOSE									
44478-3111	CHAIN	16 GA.	.122 MAX. (3.10)	4,000	.091±.012 (2.30±.30)	.106±.016 (2.70±.40)	.024 (.60)	.142±.012 (3.60±.30)	.177±.016 (4.50±.40)	.035 (.90)
44478-3112	LOOSE									
44478-1211	CHAIN	18-20 GA.	.051-.122 (1.30-3.10)	4,000	.075±.012 (1.90±.30)	.091±.016 (2.30±.40)	.020 (.50)	.142±.012 (3.60±.30)	.177±.016 (4.50±.40)	.035 (.90)
44478-1212	LOOSE									
44478-3211	CHAIN	16 GA.	.122 MAX. (3.10)	4,000	.091±.012 (2.30±.30)	.106±.016 (2.70±.40)	.024 (.60)	.142±.012 (3.60±.30)	.177±.016 (4.50±.40)	.035 (.90)
44478-3212	LOOSE									

LEGEND:

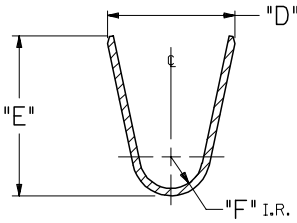


NOTES:

- MATERIAL: COPPER ALLOY, .008/(0.20) THICK.
- *1= PLATING: POSTPLATE .000100/(.00254) MIN. BRIGHT TIN OVER .000030/(.00076) MIN. NICKEL OVERALL.
*2=PLATING: POSTPLATE .000030/(.000076) MIN. SELECT GOLD AND .000100/(0.00254) MIN. MATTE TIN OVER .000050/(.00127) MIN. NICKEL OVERALL.
*THE PRIMARY SHIPPING CARTON WILL BE LABELED "COMPLIANT TO RoHS DIRECTIVE 2002/95/EC AND ELV ANNEX II OF DIRECTIVE 2000/53/EC." CARTONS WITHOUT THIS LABEL MAY CONTAIN PRODUCT WITH TIN-LEAD PLATING.
- PART DESIGNED IN METRIC.
- MEASURING POINT FOR PLATING THICKNESS.
- TERMINAL IS FOR USE WITH MOLEX PLUG HOUSINGS 5559, 30068 AND 42475.
- ITEM NUMBERS PRECEDED BY AN "X" IN THE CHART ARE NOT AVAILABLE.
- PRODUCT SPECIFICATION AND PROCESSING PARAMETERS: SEE PS-44476-001.



SECT. "K-K"
(VIEW ROTATED 90° CW)



SECT. "L-L"
(VIEW ROTATED 90° CW)

REMOVED 44478-***2* FC NO: UCP2006-0883 DRAWN:ADRAINOL 2005/10/25 CHKD:GPOUGAR 2005/10/25 APPR:ICOMERCJ 2005/10/26	QUALITY SYMBOLS ▽=0 ▽=0	GENERAL TOLERANCES (UNLESS SPECIFIED)		DIMENSION STYLE IN/MM		SCALE 10:1	DESIGN UNITS METRIC	THIRD ANGLE PROJECTION
		mm	INCH	DRAWN BY GEP	DATE 1994/07/25	TITLE TERMINAL, MALE, CRIMP MINI-FIT JR HCS SERIES		
		4 PLACES ± --- ± ---		CHECKED BY RJF	DATE 1994/07/25	MATERIAL NO. molex MOLEX INCORPORATED DOCUMENT NO. SD-44478-**** SHEET NO. 1 OF 1		
		3 PLACES ± --- ± .010		APPROVED BY RJF	DATE 1994/07/25			
		2 PLACES ± 0.25 ± .015				DRAFT WHERE APPLICABLE MUST REMAIN WITHIN DIMENSIONS		
		1 PLACE ± 0.38 ± ---				THIS DRAWING CONTAINS INFORMATION THAT IS PROPRIETARY TO MOLEX INCORPORATED AND SHOULD NOT BE USED WITHOUT WRITTEN PERMISSION		
		ANGULAR ±1/2°						