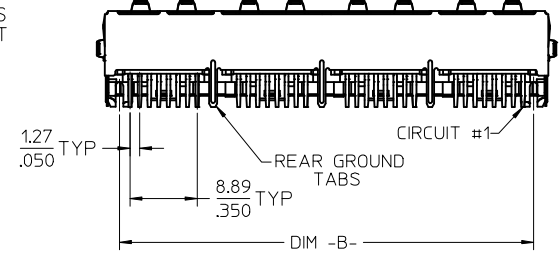
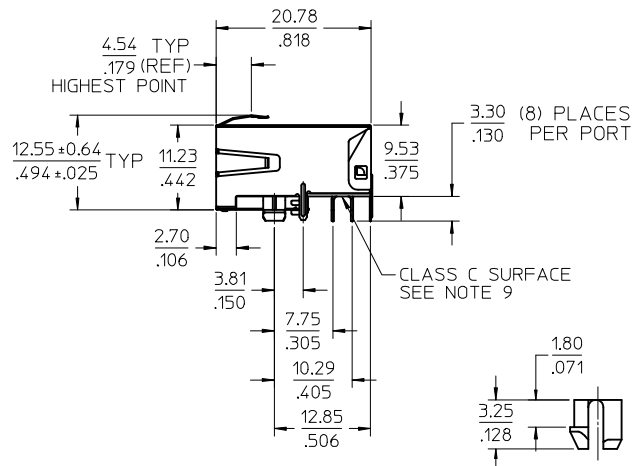
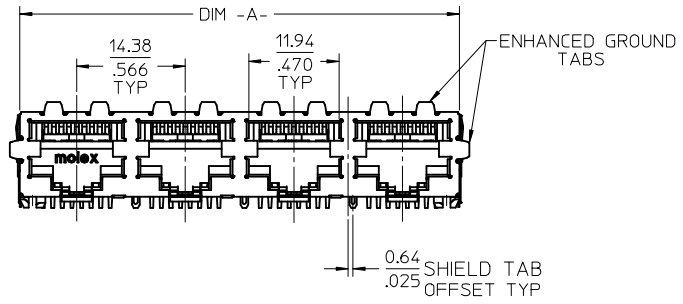


SHIELDING OPTION -A-
STANDARD SHIELD
(SEE CHART)

SHIELDING OPTION -B-
ENHANCED GROUND TABS
(SEE CHART)



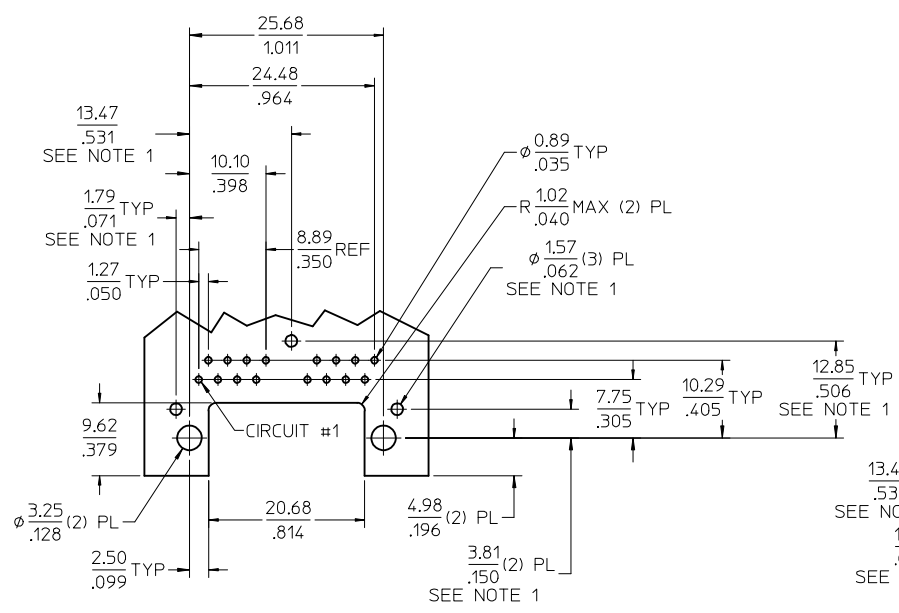
- NOTES:
1) MATERIAL:
HOUSING: NYLON(IPA), GLASS FILLED, UL94V-0, COLOR: BLACK
TERMINALS: PHOSPHOR BRONZE
SHIELD: BRASS, .007/(0.18) THICK
2) FINISH:
TERMINALS:
SELECT GOLD IN CONTACT AREA: 50 MICROINCHES (1.27 MICROMETERS) MIN.,
SELECT MATTE TIN IN PC TAIL AREA: 100 MICROINCHES (2.54 MICROMETERS) MIN.,
WITH OVERALL NICKEL UNDERPLATE: 50 MICROINCHES (1.27 MICROMETERS) MIN.
SHIELD:
100 MICROINCHES (2.54 MICROMETERS) NICKEL OVER 50 MICROINCHES
(1.27 MICROMETERS) COPPER UNDERPLATE; PCB GROUND TABS DIPPED IN TIN.
3) PRODUCT SPECIFICATION: PS-44560-003.
4) PACKAGING SPECIFICATION:
2 PORT: CONNECTOR PACKAGED IN TRAYS PER MOLEX PACKAGING SPECIFICATION
PK-44560-004
4 PORT: CONNECTOR PACKAGED IN TRAYS PER MOLEX PACKAGING SPECIFICATION
PK-44560-005
5) CONFORMS TO FCC REGULATION PART 68.5 FOR MODULAR JACKS.
6) ENHANCED GROUND TABS SHIELD (OPTION -B-) IS SHOWN IN THIS
DRAWING. (SEE CHART)
7) SEE SHEET (2) OF (2) FOR RECOMMENDED PANEL OPENING AND PCB LAYOUT.
8) CAT 5e PERFORMANCE IS NOT SPECIFIED FOR THIS MODULAR JACK BECAUSE
OF THE EVEN TERMINAL TAILS.
9) THIS PART CONFORMS TO CLASS B REQUIREMENTS OF COSMETIC
SPECIFICATION PS-45499-002 WITH THE EXCEPTION OF THE SURFACE
INDICATED, WHICH IS A CLASS C SURFACE.
10) THIS PRODUCT IS COMPLIANT TO RoHS DIRECTIVE 2002/95/EC AND ELV ANNEX
II OF DIRECTIVE 2000/53/EC.



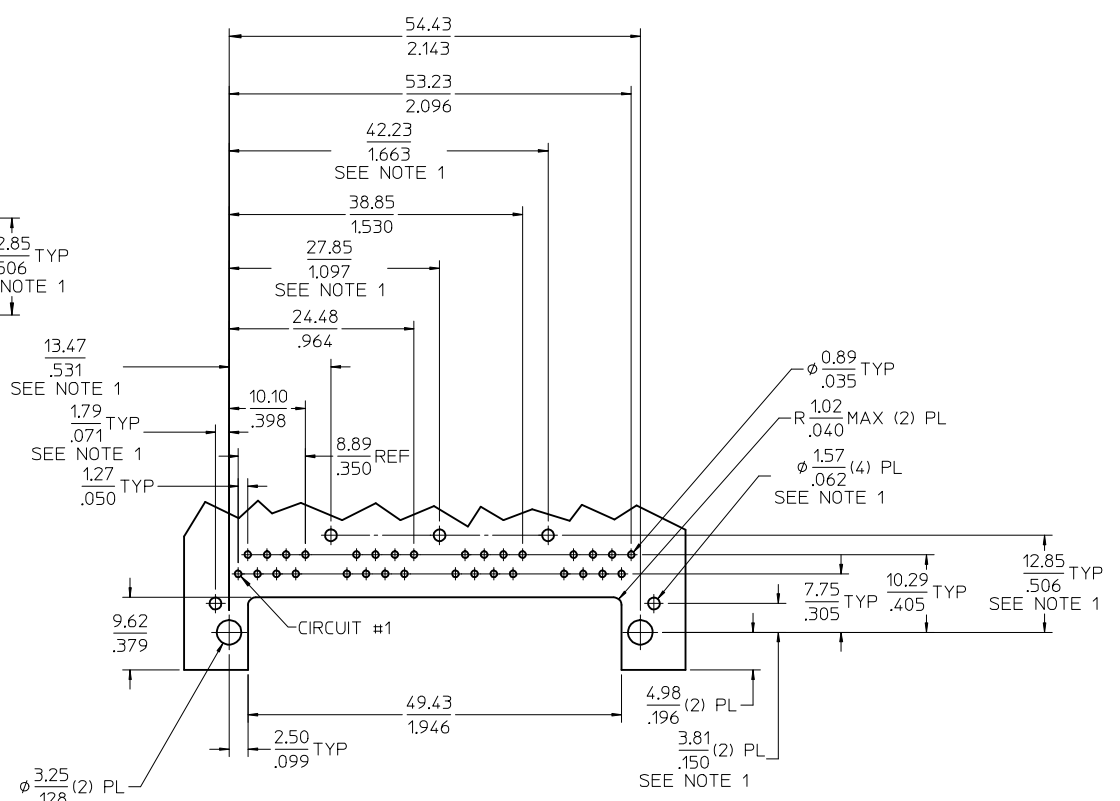
PEG DETAIL
SCALE 4:1

ASSEMBLY MATERIAL NUMBER	SHIELDING OPTION	NUMBER OF REAR GROUND TABS	NUMBER OF PORTS	DIM -A-	DIM -B-
445600112	B	1	2	29.44/1.159	25.68/1.011

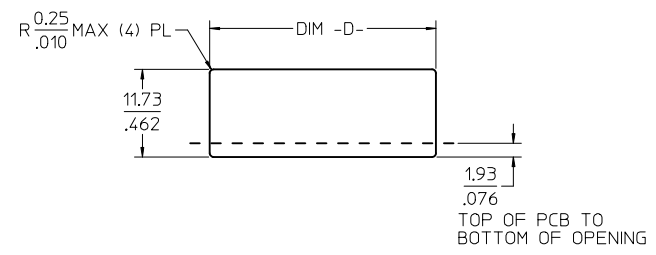
CREATE DWG EC NO: UCP2013-0627 DRW: NGUYEN CHKD: JELL APPR: FSMITH 2012/08/14 2012/08/14 2012/08/27	DESCRIPTION REV A	QUALITY SYMBOLS ∇=0 ∇=0 ∇=0	GENERAL TOLERANCES (UNLESS SPECIFIED) mm INCH 4 PLACES ± --- ± --- 3 PLACES ± --- ± .012 2 PLACES ± 0.30 ± --- 1 PLACE ± --- ± --- 0 PLACE ± ±	DIMENSION STYLE MM/IN DRAWN BY DATE NGUYEN 2012/08/14 CHECKED BY DATE JBELL 2012/08/14 APPROVED BY DATE FSMITH 2012/08/27	SCALE 2:1 DESIGN UNITS INCH THIRD ANGLE PROJECTION	COMPACT GANGED MODJACK EVEN TAILS molex	MATERIAL NO. SEE CHART DOCUMENT NO. RSD-44560-001 SHEET NO. 1 OF 2
		DRAFT WHERE APPLICABLE MUST REMAIN WITHIN DIMENSIONS			SIZE C	THIS DRAWING CONTAINS INFORMATION THAT IS PROPRIETARY TO MOLEX INCORPORATED AND SHOULD NOT BE USED WITHOUT WRITTEN PERMISSION	



2 PORT ASSEMBLY
PCB LAYOUT : COMPONENT SIDE
RECOMMENDED PCB THICKNESS: 1.57/.062
TOLERANCE ±.076/.003 UNLESS OTHERWISE SPECIFIED

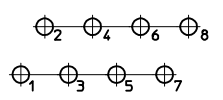


4 PORT ASSEMBLY
PCB LAYOUT : COMPONENT SIDE
RECOMMENDED PCB THICKNESS: 1.57/.062
TOLERANCE ±.076/.003 UNLESS OTHERWISE SPECIFIED



NUMBER OF PORTS	DIM -D-
2	30.20/1.189
4	58.95/2.321

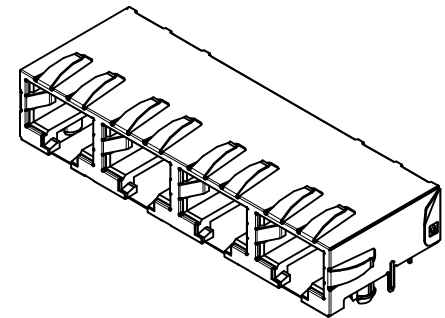
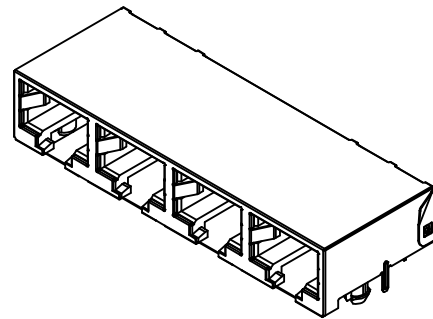
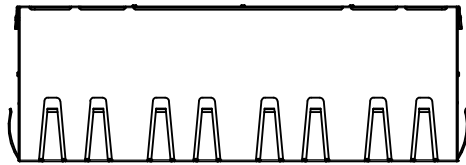
RECOMMENDED
PANEL OPENING
SHIELDING OPTIONS
A AND B



TYPICAL PC TERMINAL HOLE LAYOUT
SCALE 5:1

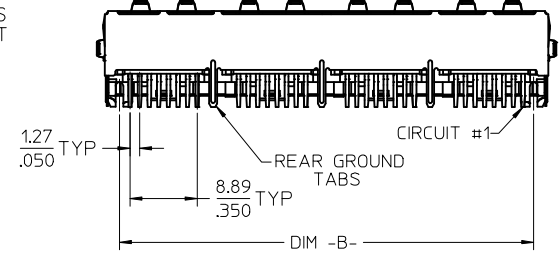
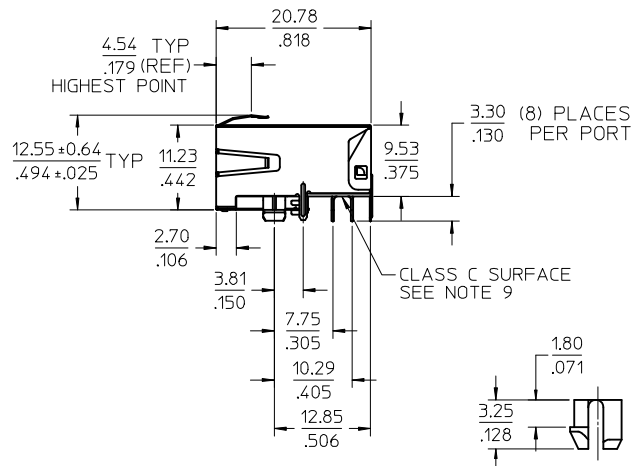
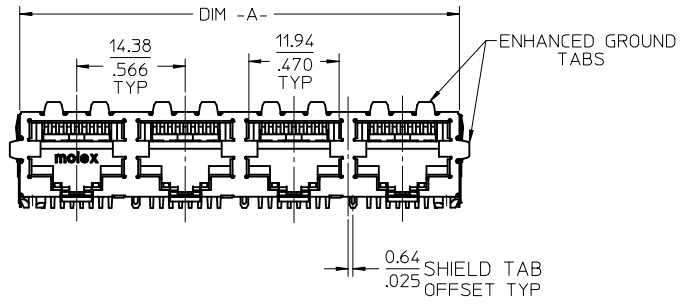
NOTES:
1. DIMENSIONS REFER TO ASSEMBLIES WITH SHIELDING OPTION

SEE SHEET 1 EC NO: UCP2013-0627 DRW: NNGUYEN CHKD: JBELL APPR: FSMITH	DESCRIPTION 2012/08/14 2012/08/14 2012/08/27	QUALITY SYMBOLS	GENERAL TOLERANCES (UNLESS SPECIFIED)	DIMENSION STYLE	SCALE	DESIGN UNITS	THIRD ANGLE PROJECTION
		▽=0	mm INCH	MM/IN	2:1	INCH	
		▽=0	4 PLACES ± --- ± ---	DRAWN BY DATE	TITLE		
		▽=0	3 PLACES ± --- ± .012	CHECKED BY DATE			
			2 PLACES ± 0.30 ± ---	NGUYEN 2012/08/14			COMPACT GANGED MODJACK EVEN TAILS molex
		1 PLACE ± --- ± ---	JBELL 2012/08/14				
		0 PLACE ± ±	APPROVED BY DATE				
			FSMITH 2012/08/27				
			ANGULAR ±1/2°	MATERIAL NO.	DOCUMENT NO.		
			DRAFT WHERE APPLICABLE MUST REMAIN WITHIN DIMENSIONS	SEE SHEET 1	RSD-44560-001		
				SIZE C	THIS DRAWING CONTAINS INFORMATION THAT IS PROPRIETARY TO MOLEX INCORPORATED AND SHOULD NOT BE USED WITHOUT WRITTEN PERMISSION		
							SHEET NO. 2 OF 2



SHIELDING OPTION -A-
STANDARD SHIELD
(SEE CHART)

SHIELDING OPTION -B-
ENHANCED GROUND TABS
(SEE CHART)



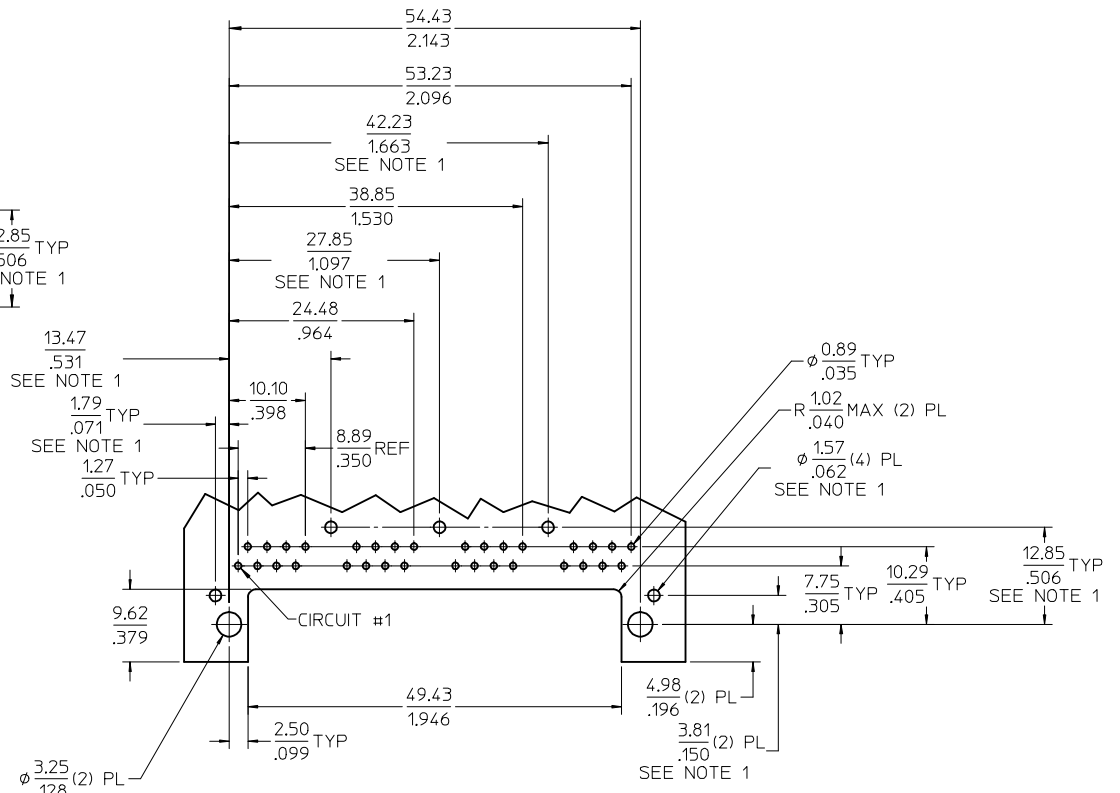
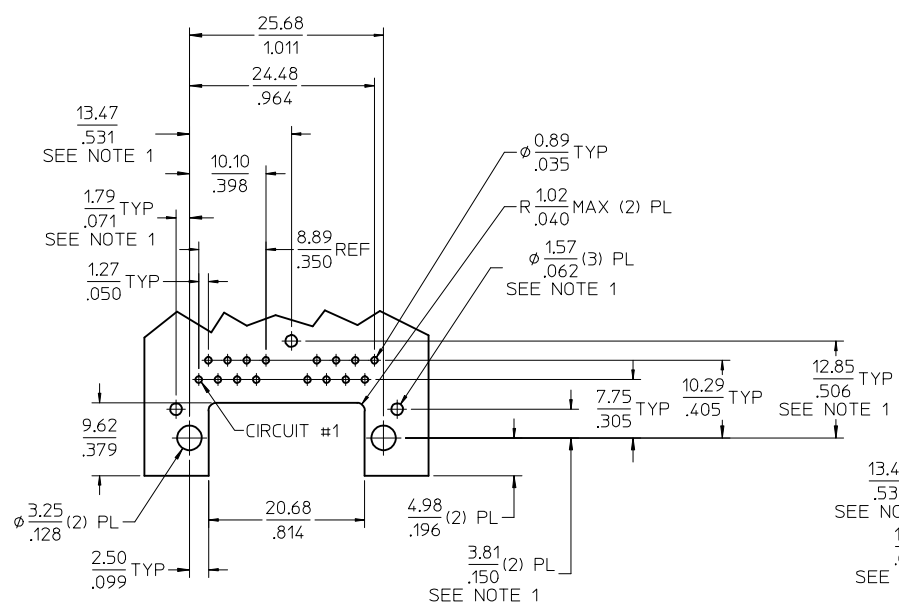
- NOTES:
1) MATERIAL:
HOUSING: NYLON(IPA), GLASS FILLED, UL94V-0, COLOR: BLACK
TERMINALS: PHOSPHOR BRONZE
SHIELD: BRASS, .007/(0.18) THICK
2) FINISH:
TERMINALS:
SELECT GOLD IN CONTACT AREA: 50 MICROINCHES (1.27 MICROMETERS) MIN.,
SELECT MATTE TIN IN PC TAIL AREA: 100 MICROINCHES (2.54 MICROMETERS) MIN.,
WITH OVERALL NICKEL UNDERPLATE: 50 MICROINCHES (1.27 MICROMETERS) MIN.
SHIELD:
100 MICROINCHES (2.54 MICROMETERS) NICKEL OVER 50 MICROINCHES
(1.27 MICROMETERS) COPPER UNDERPLATE; PCB GROUND TABS DIPPED IN TIN.
3) PRODUCT SPECIFICATION: PS-44560-003.
4) PACKAGING SPECIFICATION:
2 PORT: CONNECTOR PACKAGED IN TRAYS PER MOLEX PACKAGING SPECIFICATION
PK-44560-004
4 PORT: CONNECTOR PACKAGED IN TRAYS PER MOLEX PACKAGING SPECIFICATION
PK-44560-005
5) CONFORMS TO FCC REGULATION PART 68.5 FOR MODULAR JACKS.
6) ENHANCED GROUND TABS SHIELD (OPTION -B-) IS SHOWN IN THIS
DRAWING. (SEE CHART)
7) SEE SHEET (2) OF (2) FOR RECOMMENDED PANEL OPENING AND PCB LAYOUT.
8) CAT 5e PERFORMANCE IS NOT SPECIFIED FOR THIS MODULAR JACK BECAUSE
OF THE EVEN TERMINAL TAILS.
9) THIS PART CONFORMS TO CLASS B REQUIREMENTS OF COSMETIC
SPECIFICATION PS-45499-002 WITH THE EXCEPTION OF THE SURFACE
INDICATED, WHICH IS A CLASS C SURFACE.
10) THIS PRODUCT IS COMPLIANT TO RoHS DIRECTIVE 2002/95/EC AND ELV ANNEX
II OF DIRECTIVE 2000/53/EC.



PEG DETAIL
SCALE 4:1

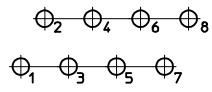
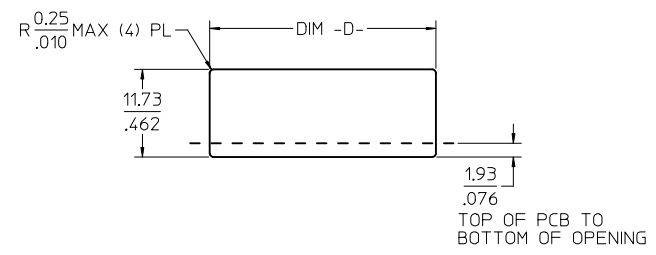
ASSEMBLY MATERIAL NUMBER	SHIELDING OPTION	NUMBER OF REAR GROUND TABS	NUMBER OF PORTS	DIM -A-	DIM -B-
445600112	B	1	2	29.44/1.159	25.68/1.011

CREATE DWG EC NO: UCP2013-0627 DRW: NGUYEN CHKD: JELL APPR: FSMITH 2012/08/14 2012/08/14 2012/08/27	DESCRIPTION REV A	QUALITY SYMBOLS ∇=0 ∇=0 ∇=0	GENERAL TOLERANCES (UNLESS SPECIFIED) mm INCH 4 PLACES ± --- ± --- 3 PLACES ± --- ± .012 2 PLACES ± 0.30 ± --- 1 PLACE ± --- ± --- 0 PLACE ± ± ANGULAR ±1/2° DRAFT WHERE APPLICABLE MUST REMAIN WITHIN DIMENSIONS	DIMENSION STYLE MM/IN DRAWN BY DATE NGUYEN 2012/08/14 CHECKED BY DATE JBELL 2012/08/14 APPROVED BY DATE FSMITH 2012/08/27	SCALE 2:1 DESIGN UNITS INCH THIRD ANGLE PROJECTION	COMPACT GANGED MODJACK EVEN TAILS molex DOCUMENT NO. RSD-44560-001 SHEET NO. 1 OF 2
		MATERIAL NO. SEE CHART			THIS DRAWING CONTAINS INFORMATION THAT IS PROPRIETARY TO MOLEX INCORPORATED AND SHOULD NOT BE USED WITHOUT WRITTEN PERMISSION	



2 PORT ASSEMBLY
PCB LAYOUT : COMPONENT SIDE
RECOMMENDED PCB THICKNESS: 1.57/0.62
TOLERANCE ±.076/0.03 UNLESS OTHERWISE SPECIFIED

4 PORT ASSEMBLY
PCB LAYOUT : COMPONENT SIDE
RECOMMENDED PCB THICKNESS: 1.57/0.62
TOLERANCE ±.076/0.03 UNLESS OTHERWISE SPECIFIED



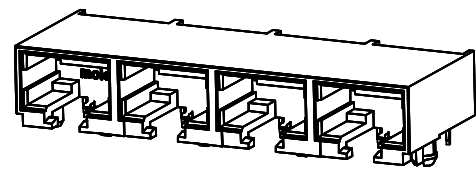
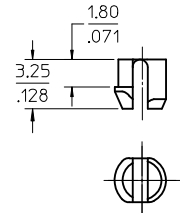
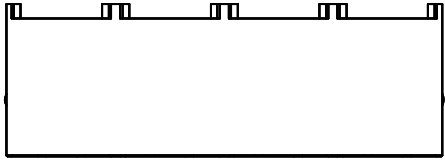
TYPICAL PC TERMINAL HOLE LAYOUT
SCALE 5:1

NOTES:
1. DIMENSIONS REFER TO ASSEMBLIES WITH SHIELDING OPTION

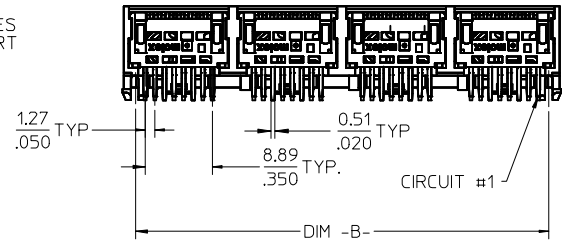
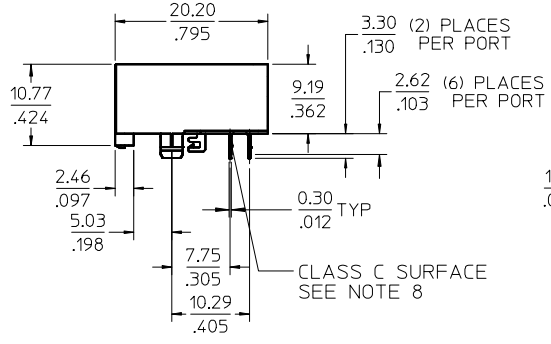
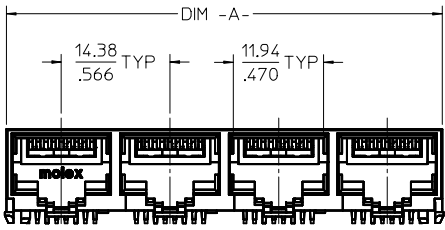
NUMBER OF PORTS	DIM -D-
2	30.20/1.189
4	58.95/2.321

RECOMMENDED
PANEL OPENING
SHIELDING OPTIONS
A AND B

SEE SHEET 1 EC NO: UCP2013-0627 DRAWN BY: DRWINHANGUYEN CHKD: JBELL APPR: FSMITH	DESCRIPTION 2012/08/14 2012/08/14 2012/08/27	QUALITY SYMBOLS	GENERAL TOLERANCES (UNLESS SPECIFIED)	DIMENSION STYLE	SCALE	DESIGN UNITS	THIRD ANGLE PROJECTION	
		▽=0	mm INCH	MM/IN	2:1	INCH		
		▽=0	4 PLACES ± --- ± ---	DRAWN BY DATE	TITLE			
		▽=0	3 PLACES ± --- ±.012	CHECKED BY DATE				
			2 PLACES ± 0.30 ± ---	NGUYEN 2012/08/14			COMPACT GANGED MODJACK EVEN TAILS	
			1 PLACE ± --- ± ---	JBELL 2012/08/14			molex	
			0 PLACE ± ±	APPROVED BY DATE				
			ANGULAR ±1/2°	FSMITH 2012/08/27				
			DRAFT WHERE APPLICABLE MUST REMAIN WITHIN DIMENSIONS	MATERIAL NO.	DOCUMENT NO.			
				SEE SHEET 1	RSD-44560-001			
				SIZE C	THIS DRAWING CONTAINS INFORMATION THAT IS PROPRIETARY TO MOLEX INCORPORATED AND SHOULD NOT BE USED WITHOUT WRITTEN PERMISSION		SHEET NO. 2 OF 2	



PEG DETAIL
SCALE 4:1



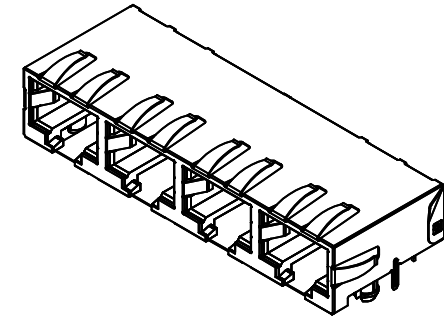
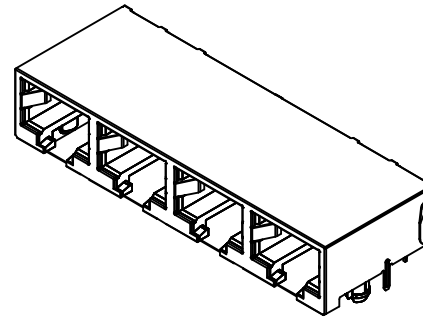
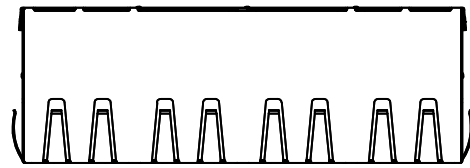
- NOTES:
 1) MATERIAL:
 HOUSING: NYLON(PA), GLASS FILLED, UL94V-0, COLOR: BLACK
 TERMINALS: PHOSPHOR BRONZE
 2) FINISH:
 TERMINALS:
 SELECT GOLD IN CONTACT AREA: 50 MICROINCHES (1.27 MICROMETERS) MIN.
 SELECT MATTE TIN IN PC TAIL AREA: 100 MICROINCHES (2.54 MICROMETERS) MIN.
 WITH OVERALL NICKEL UNDERPLATE: 50 MICROINCHES (1.27 MICROMETERS) MIN.
 3) PRODUCT SPECIFICATION AND PROCESSING PARAMETERS: PS-44560-003.
 4) PACKAGING SPECIFICATION:
 2 PORT: CONNECTOR PACKAGED IN TRAYS PER MOLEX PACKAGING SPECIFICATION PK-44560-004
 4 PORT: CONNECTOR PACKAGED IN TRAYS PER MOLEX PACKAGING SPECIFICATION PK-44560-005
 5) CONFORMS TO FCC REGULATION PART 68.5 FOR MODULAR JACKS.
 6) SEE SHEET (4) OF (4) FOR RECOMMENDED PANEL OPENING AND PCB LAYOUT.
 7) TERMINAL LENGTHS MAY BE DIFFERENT FROM TERMINAL TO TERMINAL.
 8) THIS PART CONFORMS TO CLASS B REQUIREMENTS OF COSMETIC SPECIFICATION PS-45499-002 WITH THE EXCEPTION OF THE SURFACE INDICATED, WHICH IS A CLASS C SURFACE.
 9) THIS PRODUCT IS COMPLIANT TO RoHS DIRECTIVE 2002/95/EC AND ELV ANNEX II OF DIRECTIVE 2000/53/EC.

ASSEMBLY MATERIAL NUMBER	NUMBER OF PORTS	DIM -A-	DIM -B-
445600001	2	28.96/1.140	25.68/1.011
445600003	4	57.71/2.272	54.43/2.143

REV	DESCRIPTION	DATE
G5	DRW:WAFENG02	2016/10/10
	CHKD: APPR:KLANG	2016/10/17

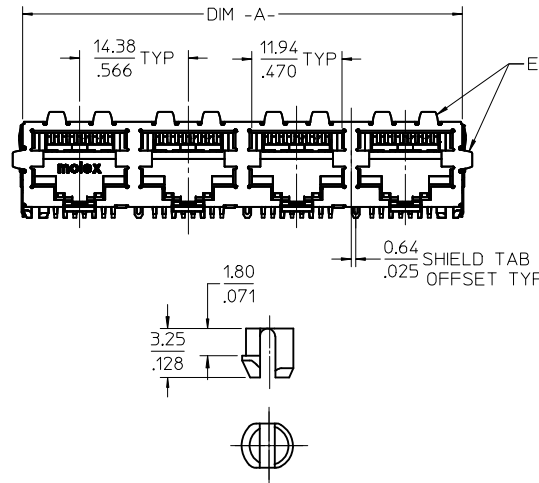
QUALITY SYMBOLS	GENERAL TOLERANCES (UNLESS SPECIFIED)
▽=0	mm INCH
▽=0	4 PLACES ± --- ± ---
▽=0	3 PLACES ± --- ± .012
	2 PLACES ± 0.30 ± ---
	1 PLACE ± --- ± ---
	0 PLACE ± ±
	ANGULAR ±1/2°
	DRAFT WHERE APPLICABLE MUST REMAIN WITHIN DIMENSIONS

DIMENSION STYLE		SCALE	DESIGN UNITS	THIRD ANGLE PROJECTION
MM/IN		2:1	INCH	☉
DRAWN BY		DATE		TITLE
MKAMAR		00/03/28		
CHECKED BY		DATE		
MKAMAR		00/03/28		COMPACT GANGED CATEGORY 5E MODJACK molex
APPROVED BY		DATE		
JROBERTS		00/03/28		MATERIAL NO. SEE CHART
DOCUMENT NO.		SHEET NO.		
SD-44560-001		1 OF 4		
THIS DRAWING CONTAINS INFORMATION THAT IS PROPRIETARY TO MOLEX INCORPORATED AND SHOULD NOT BE USED WITHOUT WRITTEN PERMISSION				

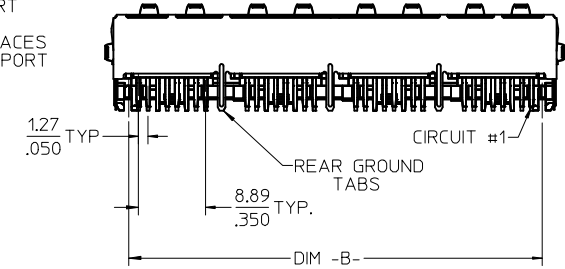
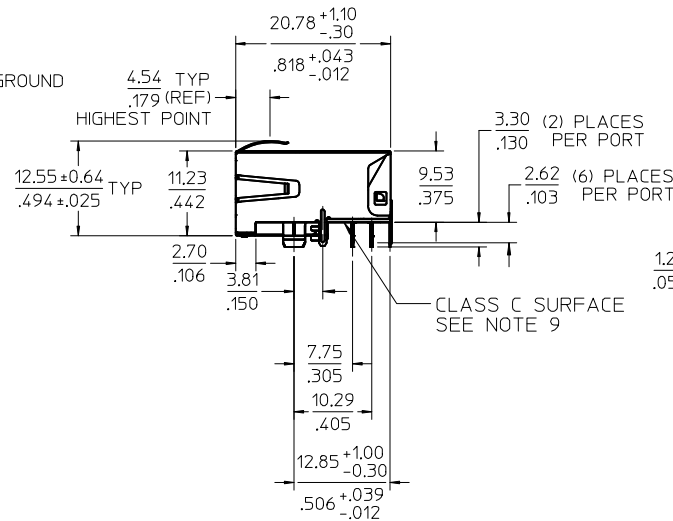


SHIELDING OPTION -A-
STANDARD SHIELD
(SEE CHART)

SHIELDING OPTION -B-
ENHANCED GROUND TABS
(SEE CHART)



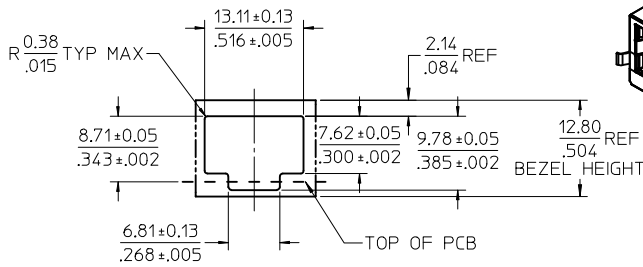
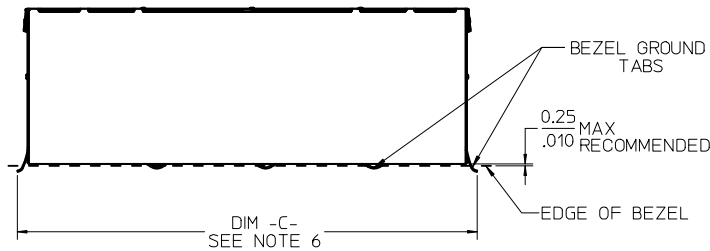
PEG DETAIL
SCALE 4:1



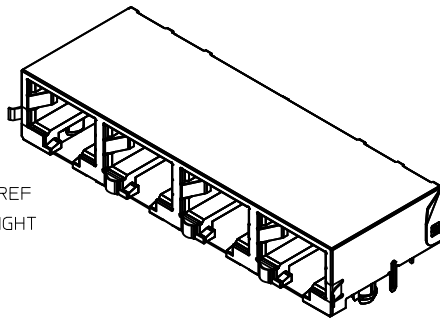
- NOTES:
- MATERIAL:
HOUSING: NYLON(PA), GLASS FILLED, UL94V-0, COLOR: BLACK
TERMINALS: PHOSPHOR BRONZE
SHIELD: BRASS, .0077(0,18) THICK
 - FINISH:
TERMINALS:
SELECT GOLD IN CONTACT AREA: 50 MICROINCHES (1.27 MICROMETERS) MIN.,
SELECT MATTE TIN IN PC TAIL AREA: 100 MICROINCHES (2.54 MICROMETERS) MIN.,
WITH OVERALL NICKEL UNDERPLATE: 50 MICROINCHES (1.27 MICROMETERS) MIN.
SHIELD:
100 MICROINCHES (2.54 MICROMETERS) NICKEL OVER 50 MICROINCHES
(1.27 MICROMETERS) COPPER UNDERPLATE; PCB GROUND TABS DIPPED IN TIN.
 - PRODUCT SPECIFICATION AND PROCESSING PARAMETERS: PS-44560-003.
 - PACKAGING SPECIFICATION:
2 PORT: CONNECTOR PACKAGED IN TRAYS PER MOLEX PACKAGING SPECIFICATION
PK-44560-004
4 PORT: CONNECTOR PACKAGED IN TRAYS PER MOLEX PACKAGING SPECIFICATION
PK-44560-005
 - CONFORMS TO FCC REGULATION PART 68.5 FOR MODULAR JACKS.
 - ENHANCED GROUND TABS SHIELD (OPTION -B-) IS SHOWN IN THIS DRAWING. (SEE CHART)
 - SEE SHEET (4) OF (4) FOR RECOMMENDED PANEL OPENING AND PCB LAYOUT.
 - TERMINAL LENGTHS MAY BE DIFFERENT FROM TERMINAL TO TERMINAL.
 - THIS PART CONFORMS TO CLASS B REQUIREMENTS OF COSMETIC SPECIFICATION PS-45499-002 WITH THE EXCEPTION OF THE SURFACE INDICATED, WHICH IS A CLASS C SURFACE.
 - THIS PRODUCT IS COMPLIANT TO RoHS DIRECTIVE 2002/95/EC AND ELV ANNEX II OF DIRECTIVE 2000/53/EC.

ASSEMBLY MATERIAL NUMBER	SHIELDING OPTION	NUMBER OF REAR GROUND TABS	NUMBER OF PORTS	DIM -A-	DIM -B-
445600002	A	1	2	29.44/1.159	25.68/1.011
445600004	A	3	4	58.19/2.291	54.43/2.143
445600012	B	1	2	29.44/1.159	25.68/1.011
445600014	B	3	4	58.19/2.291	54.43/2.143

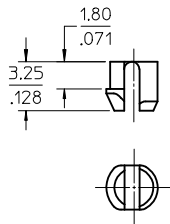
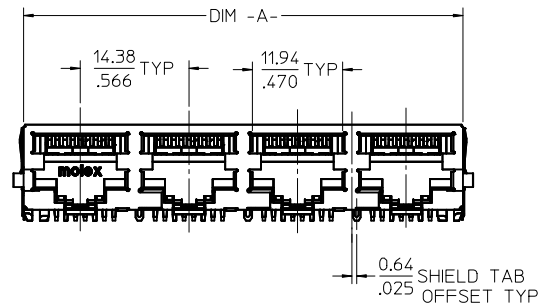
SEE SHEET 1 EC NO: UCP2017-0798 DRW:AFENG02 2016/10/10 CHKD: APPR:KLANG 2016/10/17	QUALITY SYMBOLS ▽=0 ▽=0 ▽=0	GENERAL TOLERANCES (UNLESS SPECIFIED)		DIMENSION STYLE MM/IN		SCALE 2:1	DESIGN UNITS INCH	THIRD ANGLE PROJECTION	
		4 PLACES ± --- ± ---	3 PLACES ± --- ± .012	2 PLACES ± 0.30 ± ---	1 PLACE ± --- ± ---	0 PLACE ± ±	DRAWN BY MKAMAR 00/03/28	DATE 00/03/28	COMPACT GANGED CATEGORY 5E MODJACK molex DOCUMENT NO. SD-44560-001 SHEET NO. 2 OF 4
		ANGULAR ±1/2°		MATERIAL NO.		APPROVED BY JROBERTS 00/03/28		DATE 00/03/28	
		DRAFT WHERE APPLICABLE MUST REMAIN WITHIN DIMENSIONS				SEE CHART		THIS DRAWING CONTAINS INFORMATION THAT IS PROPRIETARY TO MOLEX INCORPORATED AND SHOULD NOT BE USED WITHOUT WRITTEN PERMISSION	



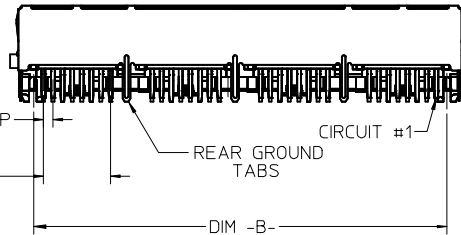
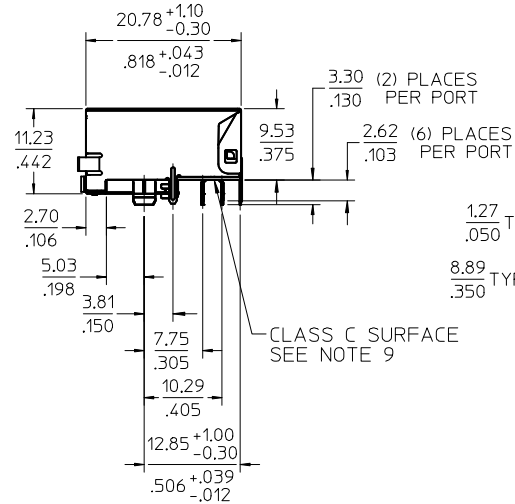
RECOMMENDED
PANEL OPENING
(EACH PORT)
FOR PMC BEZEL ONLY



SHIELDING OPTION -C-
BEZEL GROUND TABS



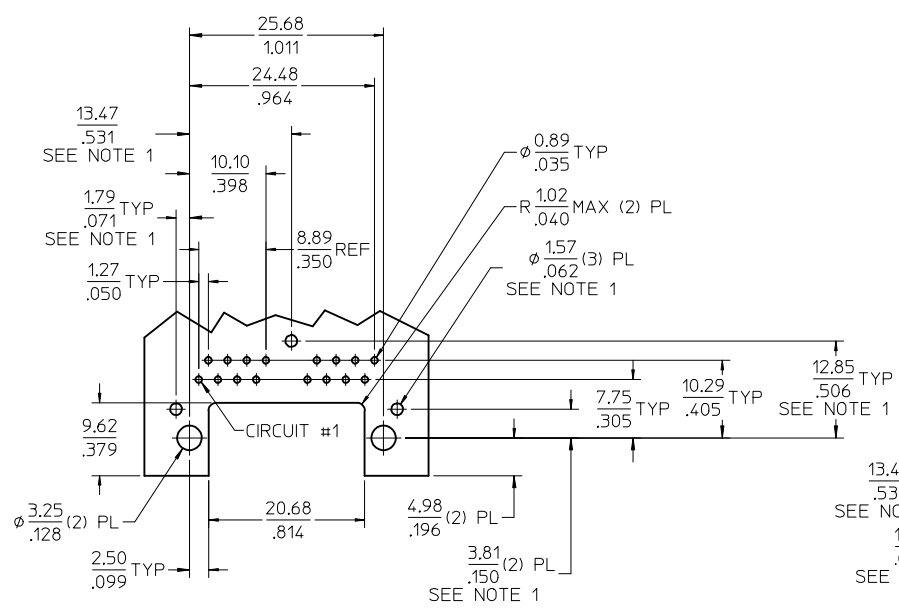
PEG DETAIL
SCALE 4:1



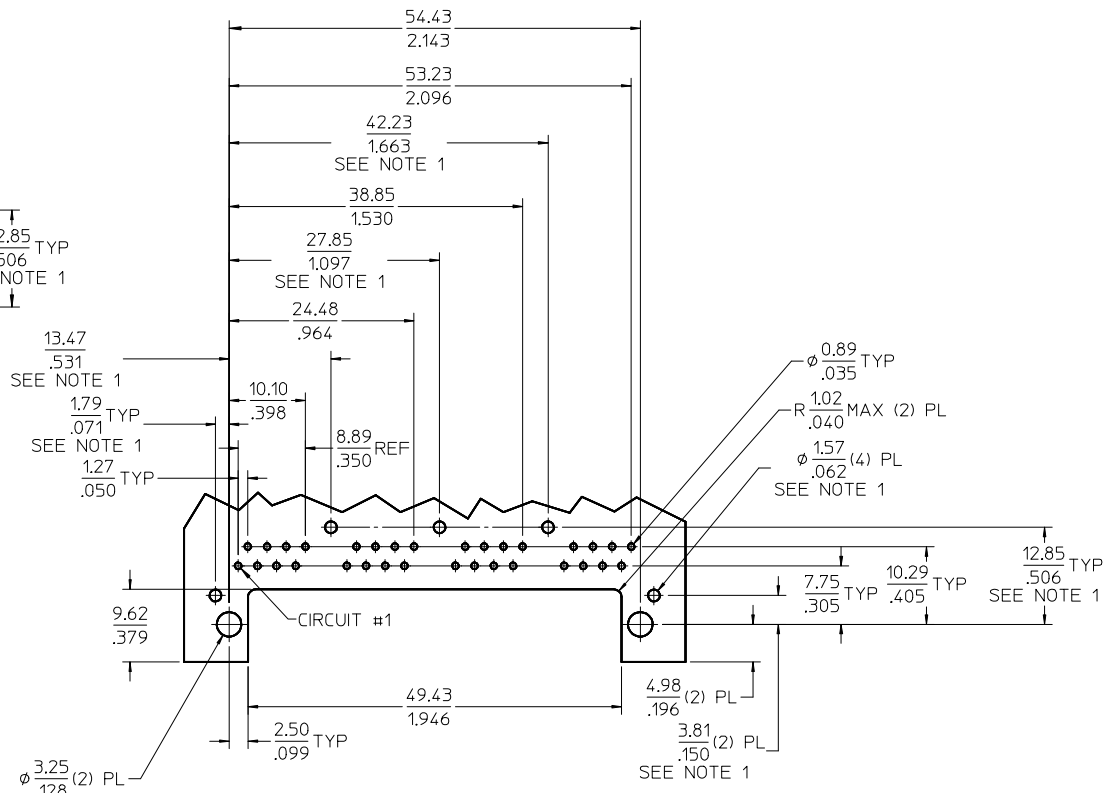
- NOTES:
1) MATERIAL:
HOUSING: NYLON(IPA), GLASS FILLED, UL94V-0, COLOR: BLACK
TERMINALS: PHOSPHOR BRONZE
SHIELD: BRASS, .007/(0.18) THICK
2) FINISH:
TERMINALS:
SELECT GOLD IN CONTACT AREA: 50 MICROINCHES (1.27 MICROMETERS) MIN.
SELECT MATTE TIN IN PC TAIL AREA: 100 MICROINCHES (2.54 MICROMETERS) MIN.
WITH OVERALL NICKEL UNDERPLATE: 50 MICROINCHES (1.27 MICROMETERS) MIN.
SHIELD:
100 MICROINCHES (2.54 MICROMETERS) NICKEL OVER 50 MICROINCHES
(1.27 MICROMETERS) COPPER UNDERPLATE, PCB GROUND TABS DIPPED IN TIN.
3) PRODUCT SPECIFICATION AND PROCESSING PARAMETERS: PS-44560-003.
4) PACKAGING SPECIFICATION:
2 PORT: CONNECTOR PACKAGED IN TRAYS PER MOLEX PACKAGING SPECIFICATION
PK-44560-004
4 PORT: CONNECTOR PACKAGED IN TRAYS PER MOLEX PACKAGING SPECIFICATION
PK-44560-005
5) CONFORMS TO FCC REGULATION PART 68.5 FOR MODULAR JACKS.
6) THIS DIMENSION HAS A MAXIMUM OF 34.82/1.371 FOR THE (2) PORT PART AND
63.57/2.503 FOR THE (4) PORT PART WHEN THE JACK IS INSTALLED BEHIND
THE BEZEL.
7) SEE SHEET (4) OF (4) FOR RECOMMENDED PCB LAYOUT.
8) TERMINAL LENGTHS MAY BE DIFFERENT FROM TERMINAL TO TERMINAL.
9) THIS PART CONFORMS TO CLASS B REQUIREMENTS OF COSMETIC
SPECIFICATION PS-45499-002 WITH THE EXCEPTION OF THE SURFACE
INDICATED, WHICH IS A CLASS C SURFACE.
10) THIS PRODUCT IS COMPLIANT TO RoHS DIRECTIVE 2002/95/EC AND ELV ANNEX
II OF DIRECTIVE 2000/53/EC.

*X=NOT TOOLED	ASSEMBLY MATERIAL NUMBER	SHIELDING OPTION	NUMBER OF REAR GROUND TABS	NUMBER OF PORTS	DIM -A-	DIM -B-	DIM -C-
X	445600022	C	1	2	29.44/1.159	25.68/1.011	32.13/1.265
	445600024	C	3	4	58.19/2.291	54.43/2.143	60.88/2.397

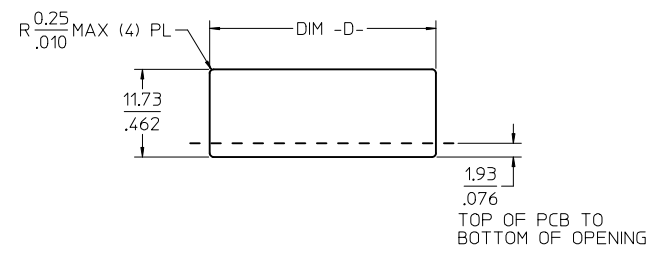
SEE SHEET 1 EC NO: UCP2017-0798 DRWNA-FENG02 2016/10/10 CHKD: APPR:K-LANG 2016/10/17	QUALITY SYMBOLS ▽=0 ▽=0 ▽=0	GENERAL TOLERANCES (UNLESS SPECIFIED)		DIMENSION STYLE MM/IN		SCALE 2:1	DESIGN UNITS INCH	THIRD ANGLE PROJECTION
		mm	INCH	DRAWN BY MKAMAR	DATE 00/03/28	COMPACT GANGED CATEGORY 5E MODJACK molex DOCUMENT NO. SD-44560-001 SHEET NO. 3 OF 4		
		4 PLACES ± --- ± ---	3 PLACES ± --- ± .012	CHECKED BY MKAMAR	DATE 00/03/28			
		2 PLACES ± 0.30 ± ---	1 PLACE ± --- ± ---	APPROVED BY JROBERTS	DATE 00/03/28			
0 PLACE ± ±	ANGULAR ±1/2°		MATERIAL NO.					
G5	REV	DRAFT WHERE APPLICABLE MUST REMAIN WITHIN DIMENSIONS		SEE CHART		THIS DRAWING CONTAINS INFORMATION THAT IS PROPRIETARY TO MOLEX INCORPORATED AND SHOULD NOT BE USED WITHOUT WRITTEN PERMISSION		



2 PORT ASSEMBLY
PCB LAYOUT : COMPONENT SIDE
RECOMMENDED PCB THICKNESS: 1.57/.062
TOLERANCE ±.076/.003 UNLESS OTHERWISE SPECIFIED

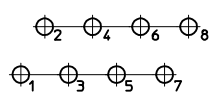


4 PORT ASSEMBLY
PCB LAYOUT : COMPONENT SIDE
RECOMMENDED PCB THICKNESS: 1.57/.062
TOLERANCE ±.076/.003 UNLESS OTHERWISE SPECIFIED



NUMBER OF PORTS	DIM -D-
2	30.20/1.189
4	58.95/2.321

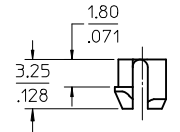
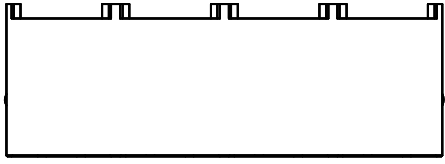
RECOMMENDED
PANEL OPENING
SHIELDING OPTIONS
A AND B



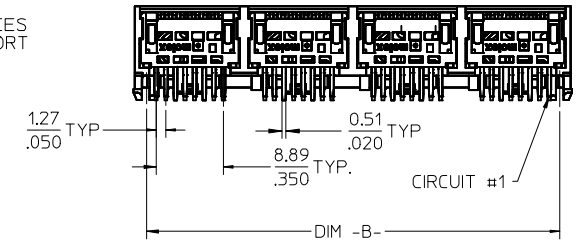
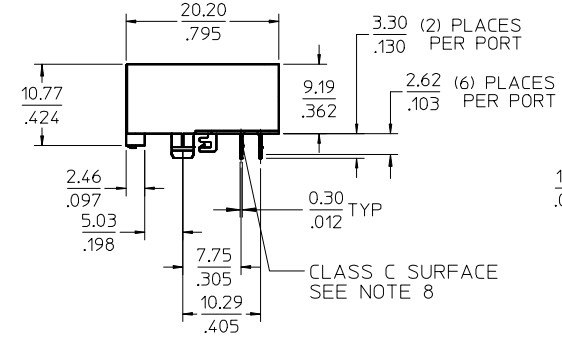
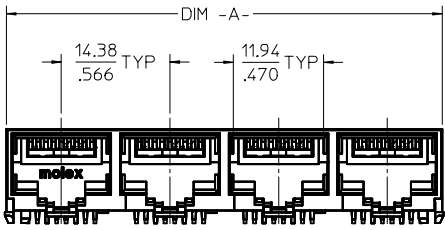
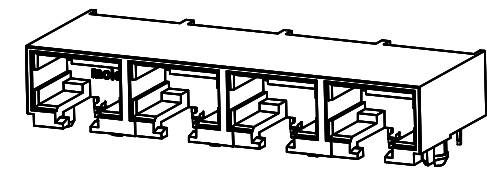
TYPICAL PC TERMINAL HOLE LAYOUT
SCALE 5:1

NOTES:
1. DIMENSIONS REFER TO ASSEMBLIES WITH SHIELDING OPTION

SEE SHEET 1 IEC NO: UCP2017-0798 IDRWNAFENG02 2016/10/10 CHKD: APPR:KLANG G5	QUALITY SYMBOLS	GENERAL TOLERANCES (UNLESS SPECIFIED)	DIMENSION STYLE	SCALE	DESIGN UNITS	THIRD ANGLE PROJECTION
	▽=0	mm INCH	MM/IN	2:1	INCH	
	▽=0	4 PLACES ± --- ± ---	DRAWN BY DATE			COMPACT GANGED CATEGORY 5E MODJACK
	▽=0	3 PLACES ± --- ± .012	MKAMAR 00/03/28	CHECKED BY DATE		
	▽=0	2 PLACES ± 0.30 ± ---	MKAMAR 00/03/28	APPROVED BY DATE		molex DOCUMENT NO. SD-44560-001 SHEET NO. 4 OF 4
	1 PLACE ± --- ± ---	JROBERTS 00/03/28				
	0 PLACE ± ±					
		ANGULAR ±1/2°	MATERIAL NO.			
		DRAFT WHERE APPLICABLE MUST REMAIN WITHIN DIMENSIONS	SEE CHART			
			SIZE C	THIS DRAWING CONTAINS INFORMATION THAT IS PROPRIETARY TO MOLEX INCORPORATED AND SHOULD NOT BE USED WITHOUT WRITTEN PERMISSION		



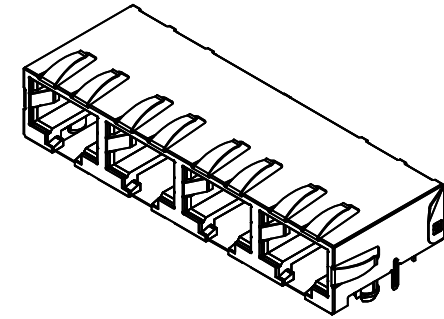
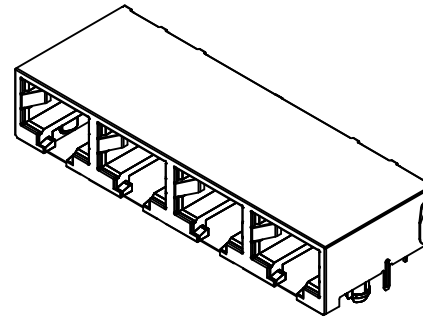
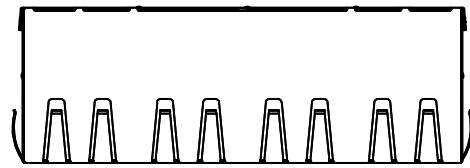
PEG DETAIL
SCALE 4:1



- NOTES:
- MATERIAL:
HOUSING: NYLON(PA), GLASS FILLED, UL94V-0, COLOR: BLACK
TERMINALS: PHOSPHOR BRONZE
 - FINISH:
TERMINALS:
SELECT GOLD IN CONTACT AREA: 50 MICROINCHES (1.27 MICROMETERS) MIN.
SELECT MATTE TIN IN PC TAIL AREA: 100 MICROINCHES (2.54 MICROMETERS) MIN.
WITH OVERALL NICKEL UNDERPLATE: 50 MICROINCHES (1.27 MICROMETERS) MIN.
 - PRODUCT SPECIFICATION AND PROCESSING PARAMETERS: PS-44560-003.
 - PACKAGING SPECIFICATION:
2 PORT: CONNECTOR PACKAGED IN TRAYS PER MOLEX PACKAGING SPECIFICATION PK-44560-004
4 PORT: CONNECTOR PACKAGED IN TRAYS PER MOLEX PACKAGING SPECIFICATION PK-44560-005
 - CONFORMS TO FCC REGULATION PART 68.5 FOR MODULAR JACKS.
 - SEE SHEET (4) OF (4) FOR RECOMMENDED PANEL OPENING AND PCB LAYOUT.
 - TERMINAL LENGTHS MAY BE DIFFERENT FROM TERMINAL TO TERMINAL.
 - THIS PART CONFORMS TO CLASS B REQUIREMENTS OF COSMETIC SPECIFICATION PS-45499-002 WITH THE EXCEPTION OF THE SURFACE INDICATED, WHICH IS A CLASS C SURFACE.
 - THIS PRODUCT IS COMPLIANT TO RoHS DIRECTIVE 2002/95/EC AND ELV ANNEX II OF DIRECTIVE 2000/53/EC.

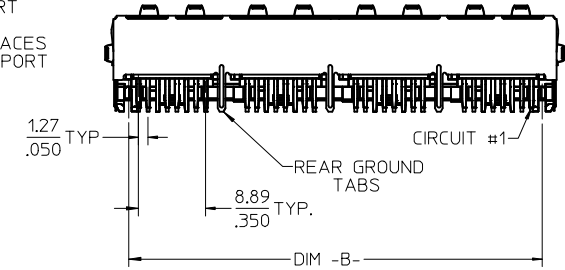
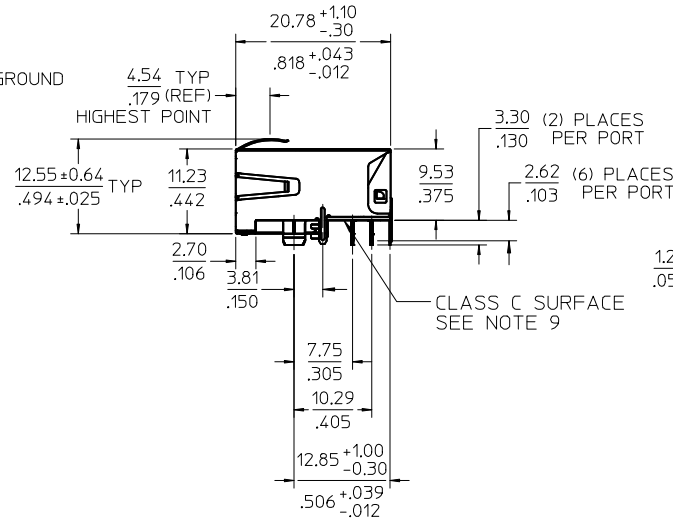
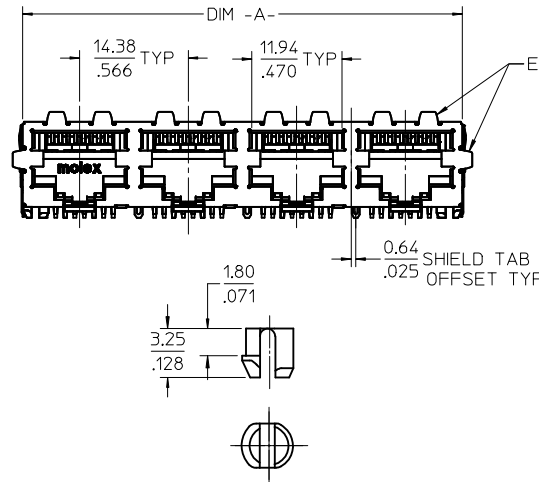
ASSEMBLY MATERIAL NUMBER	NUMBER OF PORTS	DIM -A-	DIM -B-
445600001	2	28.96/1.140	25.68/1.011
445600003	4	57.71/2.272	54.43/2.143

OBSOLETE PN EC NO: UCP2017-0798 DRW:WAFENG02 2016/10/10 CHKD: APPR:KLANG 2016/10/17 G5 REV:	QUALITY SYMBOLS	GENERAL TOLERANCES (UNLESS SPECIFIED)	DIMENSION STYLE	SCALE	DESIGN UNITS	THIRD ANGLE PROJECTION
	▽=0	mm INCH	MM/IN	2:1	INCH	
	▽=0	4 PLACES ± --- ± ---	DRAWN BY DATE	TITLE		
	▽=0	3 PLACES ± --- ± .012	MKAMAR 00/03/28	COMPACT GANGED CATEGORY 5E MODJACK		
		2 PLACES ± 0.30 ± ---	CHECKED BY DATE	molex		
	1 PLACE ± --- ± ---	MKAMAR 00/03/28	SD-44560-001			
	0 PLACE ± ±	APPROVED BY DATE	SHEET NO. 1 OF 4			
		JROBERTS 00/03/28	THIS DRAWING CONTAINS INFORMATION THAT IS PROPRIETARY TO MOLEX INCORPORATED AND SHOULD NOT BE USED WITHOUT WRITTEN PERMISSION			
		MATERIAL NO.	DOCUMENT NO.			
		SEE CHART				
		ANGULAR ±1/2°				
		DRAFT WHERE APPLICABLE MUST REMAIN WITHIN DIMENSIONS				



SHIELDING OPTION -A-
STANDARD SHIELD
(SEE CHART)

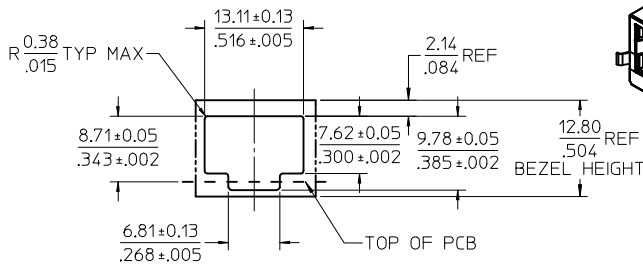
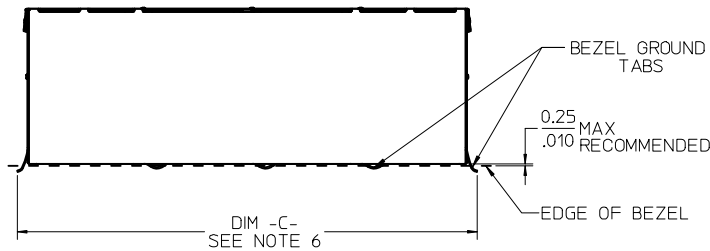
SHIELDING OPTION -B-
ENHANCED GROUND TABS
(SEE CHART)



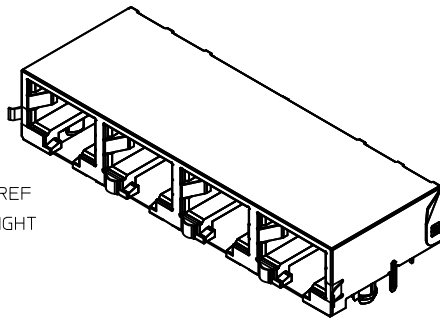
- NOTES:
1) MATERIAL:
HOUSING: NYLON(PA), GLASS FILLED, UL94V-0, COLOR: BLACK
TERMINALS: PHOSPHOR BRONZE
SHIELD: BRASS, .0077(0,18) THICK
2) FINISH:
TERMINALS:
SELECT GOLD IN CONTACT AREA: 50 MICROINCHES (1.27 MICROMETERS) MIN.,
SELECT MATTE TIN IN PC TAIL AREA: 100 MICROINCHES (2.54 MICROMETERS) MIN.,
WITH OVERALL NICKEL UNDERPLATE: 50 MICROINCHES (1.27 MICROMETERS) MIN.
SHIELD:
100 MICROINCHES (2.54 MICROMETERS) NICKEL OVER 50 MICROINCHES
(1.27 MICROMETERS) COPPER UNDERPLATE; PCB GROUND TABS DIPPED IN TIN.
3) PRODUCT SPECIFICATION AND PROCESSING PARAMETERS: PS-44560-003.
4) PACKAGING SPECIFICATION:
2 PORT: CONNECTOR PACKAGED IN TRAYS PER MOLEX PACKAGING SPECIFICATION
PK-44560-004
4 PORT: CONNECTOR PACKAGED IN TRAYS PER MOLEX PACKAGING SPECIFICATION
PK-44560-005
5) CONFORMS TO FCC REGULATION PART 68.5 FOR MODULAR JACKS.
6) ENHANCED GROUND TABS SHIELD (OPTION -B-) IS SHOWN IN THIS
DRAWING. (SEE CHART)
7) SEE SHEET (4) OF (4) FOR RECOMMENDED PANEL OPENING AND PCB LAYOUT.
8) TERMINAL LENGTHS MAY BE DIFFERENT FROM TERMINAL TO TERMINAL.
9) THIS PART CONFORMS TO CLASS B REQUIREMENTS OF COSMETIC
SPECIFICATION PS-45499-002 WITH THE EXCEPTION OF THE SURFACE
INDICATED, WHICH IS A CLASS C SURFACE.
10) THIS PRODUCT IS COMPLIANT TO RoHS DIRECTIVE 2002/95/EC AND ELV ANNEX
II OF DIRECTIVE 2000/53/EC.

ASSEMBLY MATERIAL NUMBER	SHIELDING OPTION	NUMBER OF REAR GROUND TABS	NUMBER OF PORTS	DIM -A-	DIM -B-
445600002	A	1	2	29.44/1.159	25.68/1.011
445600004	A	3	4	58.19/2.291	54.43/2.143
445600012	B	1	2	29.44/1.159	25.68/1.011
445600014	B	3	4	58.19/2.291	54.43/2.143

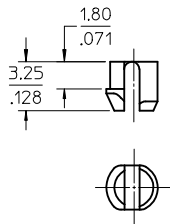
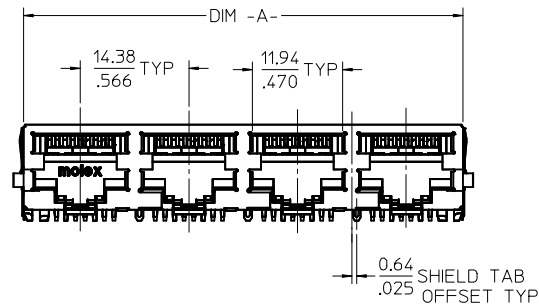
SEE SHEET 1 EC NO: UCP2017-0798 DRW:AFENG02 2016/10/10 CHKD: APPR:KLANG 2016/10/17	QUALITY SYMBOLS	GENERAL TOLERANCES (UNLESS SPECIFIED)	DIMENSION STYLE		SCALE	DESIGN UNITS	THIRD ANGLE PROJECTION
			MM/IN	2:1	INCH		
			mm	INCH	DRAWN BY	DATE	COMPACT GANGED CATEGORY 5E MODJACK molex DOCUMENT NO. SD-44560-001 SHEET NO. 2 OF 4
			4 PLACES ± --- ± ---	MKAMAR	00/03/28		
		3 PLACES ± --- ± .012	CHECKED BY	DATE			
		2 PLACES ± 0.30 ± ---	MKAMAR	00/03/28			
		1 PLACE ± --- ± ---	APPROVED BY	DATE			
		0 PLACE ± ±	JROBERTS	00/03/28			
		ANGULAR ±1/2°	MATERIAL NO.	SEE CHART			
		DRAFT WHERE APPLICABLE MUST REMAIN WITHIN DIMENSIONS	SIZE	C			
			THIS DRAWING CONTAINS INFORMATION THAT IS PROPRIETARY TO MOLEX INCORPORATED AND SHOULD NOT BE USED WITHOUT WRITTEN PERMISSION				



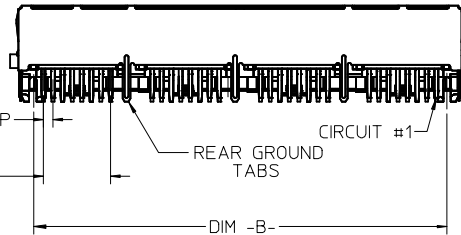
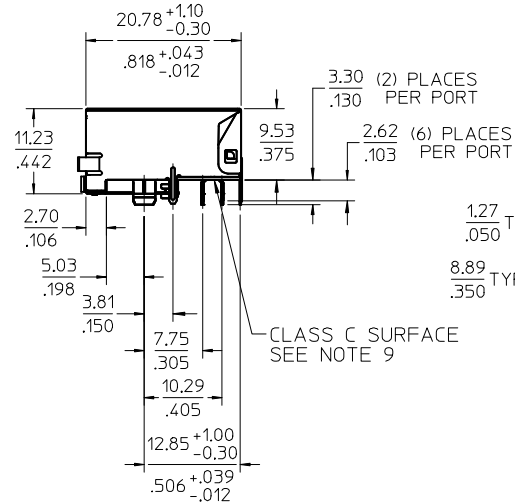
RECOMMENDED
PANEL OPENING
(EACH PORT)
FOR PMC BEZEL ONLY



SHIELDING OPTION -C-
BEZEL GROUND TABS



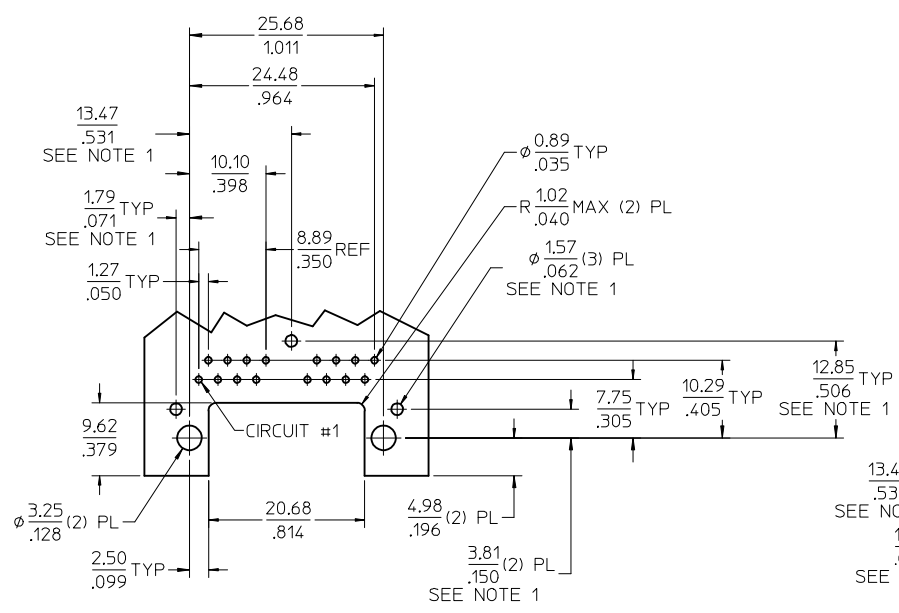
PEG DETAIL
SCALE 4:1



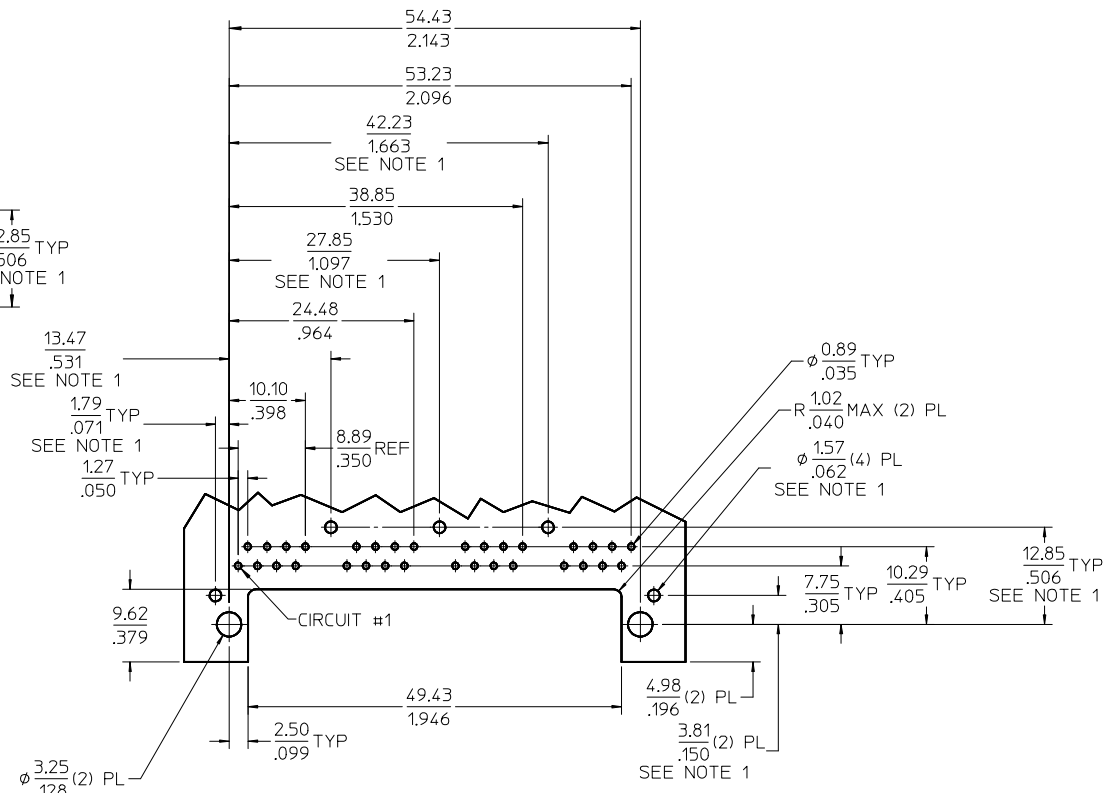
- NOTES:
- MATERIAL:
HOUSING: NYLON(IPA), GLASS FILLED, UL94V-0, COLOR: BLACK
TERMINALS: PHOSPHOR BRONZE
SHIELD: BRASS, .007/(0.18) THICK
 - FINISH:
TERMINALS:
SELECT GOLD IN CONTACT AREA: 50 MICROINCHES (1.27 MICROMETERS) MIN.
SELECT MATTE TIN IN PC TAIL AREA: 100 MICROINCHES (2.54 MICROMETERS) MIN.
WITH OVERALL NICKEL UNDERPLATE: 50 MICROINCHES (1.27 MICROMETERS) MIN.
SHIELD:
100 MICROINCHES (2.54 MICROMETERS) NICKEL OVER 50 MICROINCHES (1.27 MICROMETERS) COPPER UNDERPLATE, PCB GROUND TABS DIPPED IN TIN.
 - PRODUCT SPECIFICATION AND PROCESSING PARAMETERS: PS-44560-003.
 - PACKAGING SPECIFICATION:
2 PORT: CONNECTOR PACKAGED IN TRAYS PER MOLEX PACKAGING SPECIFICATION PK-44560-004
4 PORT: CONNECTOR PACKAGED IN TRAYS PER MOLEX PACKAGING SPECIFICATION PK-44560-005
 - CONFORMS TO FCC REGULATION PART 68.5 FOR MODULAR JACKS.
 - THIS DIMENSION HAS A MAXIMUM OF 34.82/1.371 FOR THE (2) PORT PART AND 63.57/2.503 FOR THE (4) PORT PART WHEN THE JACK IS INSTALLED BEHIND THE BEZEL.
 - SEE SHEET (4) OF (4) FOR RECOMMENDED PCB LAYOUT.
 - TERMINAL LENGTHS MAY BE DIFFERENT FROM TERMINAL TO TERMINAL.
 - THIS PART CONFORMS TO CLASS B REQUIREMENTS OF COSMETIC SPECIFICATION PS-45499-002 WITH THE EXCEPTION OF THE SURFACE INDICATED, WHICH IS A CLASS C SURFACE.
 - THIS PRODUCT IS COMPLIANT TO RoHS DIRECTIVE 2002/95/EC AND ELV ANNEX II OF DIRECTIVE 2000/53/EC.

*X=NOT TOOLED	ASSEMBLY MATERIAL NUMBER	SHIELDING OPTION	NUMBER OF REAR GROUND TABS	NUMBER OF PORTS	DIM -A-	DIM -B-	DIM -C-
X	445600022	C	1	2	29.44/1.159	25.68/1.011	32.13/1.265
	445600024	C	3	4	58.19/2.291	54.43/2.143	60.88/2.397

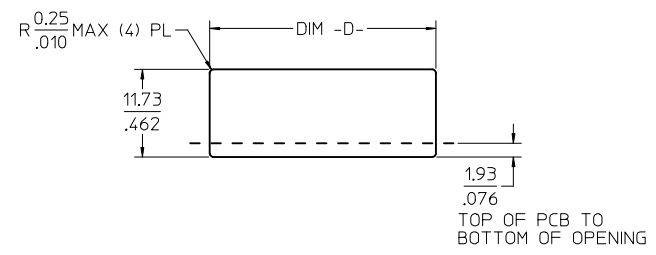
SEE SHEET 1 EC NO: UCP2017-0798 DRWNA-FENG02 2016/10/10 CHKD: APPR:K-LANG 2016/10/17	QUALITY SYMBOLS ▽=0 ▽=0 ▽=0	GENERAL TOLERANCES (UNLESS SPECIFIED)		DIMENSION STYLE MM/IN		SCALE 2:1	DESIGN UNITS INCH	THIRD ANGLE PROJECTION
		mm	INCH	DRAWN BY MKAMAR	DATE 00/03/28	COMPACT GANGED CATEGORY 5E MODJACK molex DOCUMENT NO. SD-44560-001 SHEET NO. 3 OF 4		
		4 PLACES ± --- ± ---	3 PLACES ± --- ± .012	CHECKED BY MKAMAR	DATE 00/03/28			
		2 PLACES ± 0.30 ± ---	1 PLACE ± --- ± ---	APPROVED BY JROBERTS	DATE 00/03/28			
0 PLACE ± ±	ANGULAR ±1/2°		MATERIAL NO.					
DRAFT WHERE APPLICABLE MUST REMAIN WITHIN DIMENSIONS		SIZE C	SEE CHART		THIS DRAWING CONTAINS INFORMATION THAT IS PROPRIETARY TO MOLEX INCORPORATED AND SHOULD NOT BE USED WITHOUT WRITTEN PERMISSION			



2 PORT ASSEMBLY
 PCB LAYOUT : COMPONENT SIDE
 RECOMMENDED PCB THICKNESS: 1.57/.062
 TOLERANCE ±.076/.003 UNLESS OTHERWISE SPECIFIED

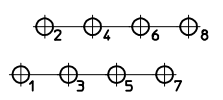


4 PORT ASSEMBLY
 PCB LAYOUT : COMPONENT SIDE
 RECOMMENDED PCB THICKNESS: 1.57/.062
 TOLERANCE ±.076/.003 UNLESS OTHERWISE SPECIFIED



NUMBER OF PORTS	DIM -D-
2	30.20/1.189
4	58.95/2.321

RECOMMENDED
 PANEL OPENING
 SHIELDING OPTIONS
 A AND B



TYPICAL PC TERMINAL HOLE LAYOUT
 SCALE 5:1

NOTES:
 1. DIMENSIONS REFER TO ASSEMBLIES WITH SHIELDING OPTION

SEE SHEET 1 IEC NO: UCP2017-0798 IDRWNAFENG02 2016/10/10 CHKD: CHPR:KLANG APPR:KLANG G5 REV	QUALITY SYMBOLS	GENERAL TOLERANCES (UNLESS SPECIFIED)	DIMENSION STYLE	SCALE	DESIGN UNITS	THIRD ANGLE PROJECTION
	▽=0	mm INCH	MM/IN	2:1	INCH	
	▽=0	4 PLACES ± --- ± ---	DRAWN BY DATE			COMPACT GANGED CATEGORY 5E MODJACK molex DOCUMENT NO. SD-44560-001 SHEET NO. 4 OF 4
	▽=0	3 PLACES ± --- ± .012	MKAMAR 00/03/28			
	▽=0	2 PLACES ± 0.30 ± ---	CHECKED BY DATE			
	1 PLACE ± --- ± ---	MKAMAR 00/03/28				
	0 PLACE ± ±	APPROVED BY DATE				
		JROBERTS 00/03/28				
		MATERIAL NO.	SEE CHART			
		ANGULAR ±1/2°				
		DRAFT WHERE APPLICABLE MUST REMAIN WITHIN DIMENSIONS				