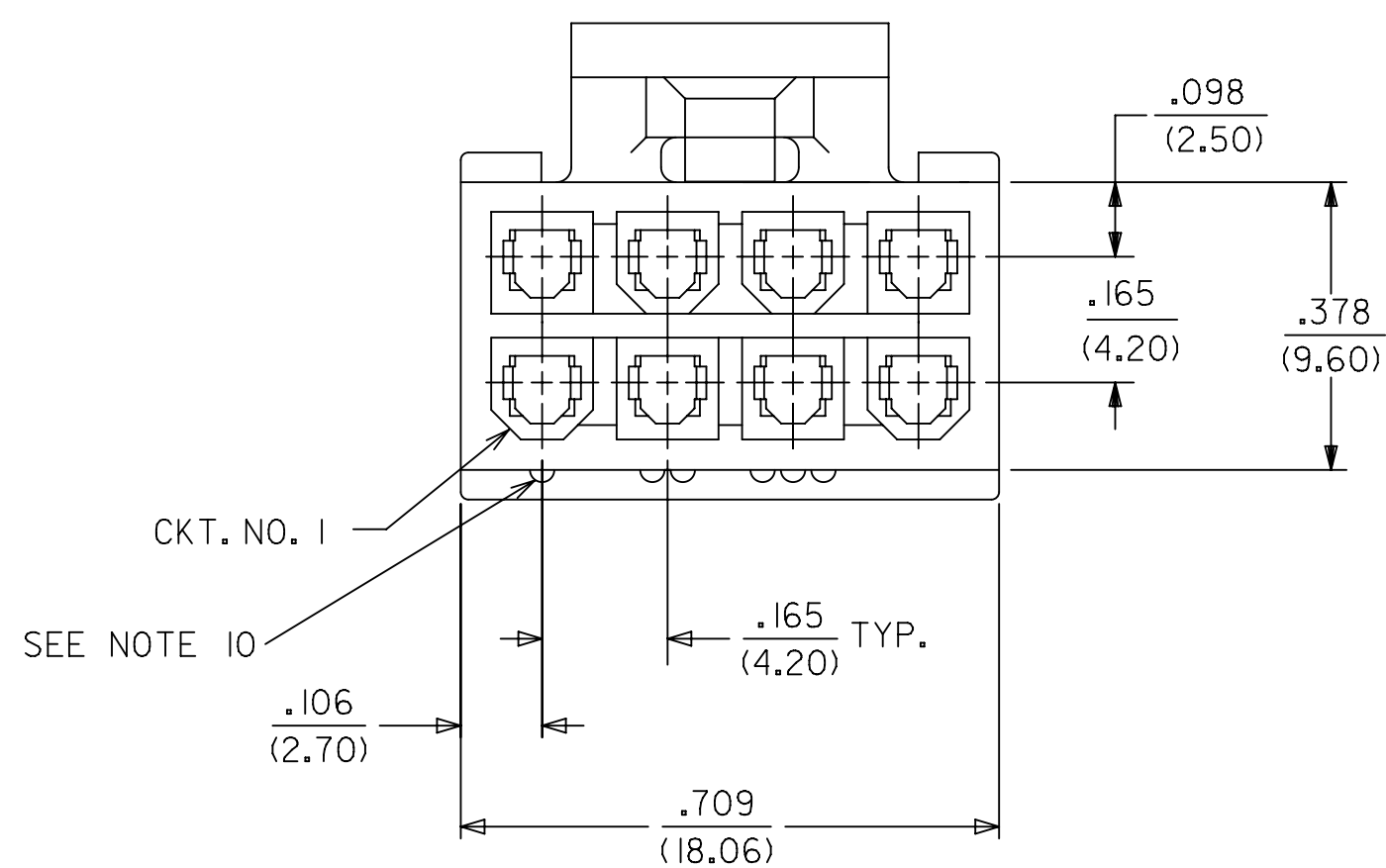


455870003
FIRST GENERATION POLARIZATION

NOTES:

- 1) MATERIAL:
HOUSING: NYLON, UL94V-0, COLOR: BLACK
- 2) FINISH: NONE
- 3) PRODUCT SPECIFICATION: PS-5556-001
- 4) PACKAGING: PER PK-5557-002
- 5) 455870003 RECEPTACLE HOUSING MATES WITH 455860001 AND 455860004 HEADER ASSEMBLIES; 455870002 RECEPTACLE HOUSING MATES WITH 455860002 HEADER ASSEMBLY. 455870004 RECEPTACLE HOUSING MATES WITH 455860005 HEADER ASSEMBLY.
- 6) PART TO BE USED WITH MOLEX FEMALE TERMINAL #5556.
- 7) ALL DIMENSIONS ARE REFERENCE UNLESS OTHERWISE SPECIFIED WITH A TOLERANCE.
- 8) PART IS NOT DESIGNED FOR CURRENT SHARING.
- 9) PARTS ARE NOT TO BE MATED OR UNMATED WHILE CIRCUITS ARE LIVE.
- 10) RIB INDICATES CIRCUIT NUMBER 1.
- 11) PART CONFORMS TO CLASS "B" REQUIREMENTS OF COSMETIC SPECIFICATION PS-45499-002.
- 12) WIRES ARE TO BE DRESSED IN SUCH A MANNER TO ALLOW THE TERMINALS TO FLOAT FREELY IN THE POCKET



CIRCUIT SIZE	PART NO.	POLARIZATION TYPE
8	455870003	FIRST GENERATION
	455870002	SECOND GENERATION
	455870004	THIRD GENERATION

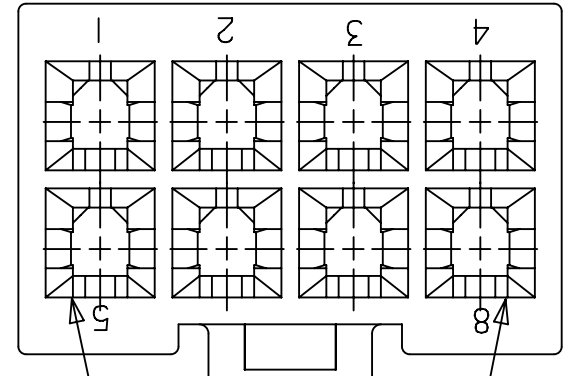
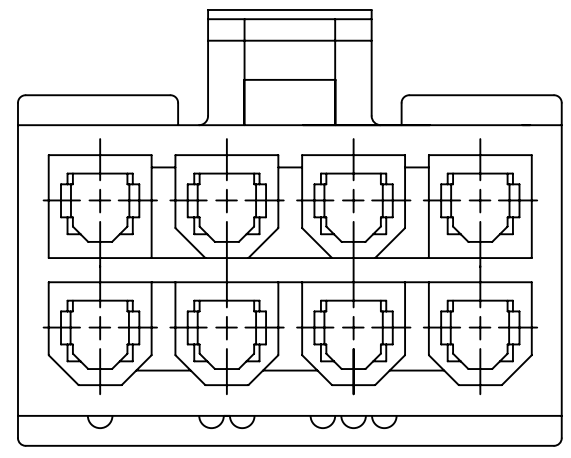
SYMBOLS	THIS DRAWING CONTAINS INFORMATION THAT IS PROPRIETARY TO MOLEX ELECTRONIC TECHNOLOGIES, LLC AND SHOULD NOT BE USED WITHOUT WRITTEN PERMISSION	
	DIMENSION UNITS	SCALE
▽ = 0	IN/MM	4:1
▽ = 0	GENERAL TOLERANCES (UNLESS SPECIFIED)	
▽ = 0		
▽ = 0	4 PLACES ±	±
▽ = 0	3 PLACES ±	± 0.01
▽ = 0	2 PLACES ±	± 0.25 ± 0.015
▽ = 0	1 PLACE ±	± 0.38 ±
▽ = 0	0 PLACES ±	±
▽ = 0	ANGULAR TOL ±	± 5.0 °
▽ = 0	DRAFT WHERE APPLICABLE MUST REMAIN WITHIN DIMENSIONS	
▽ = 0	THIRD ANGLE PROJECTION	DRAWING
▽ = 0	SERIES	45587
CURRENT REV DESC: RELEASE -0004		
EC NO: 611764		
DRWN: DSTEIER 2019/02/08		
CHK'D: SSOUSEK 2019/02/15		
APPR: FSMITH 2019/02/20		
INITIAL REVISION:		
DRWN: CLS 2003/07/15		
APPR: FSMITH 2011/03/01		
DOCUMENT NUMBER		DOC TYPE DOC PART REVISION
SD-45587-001		PSD 001 C3
MATERIAL NUMBER		CUSTOMER
SEE CHART		GENERAL MARKET
SHEET NUMBER		1 OF 2

REV C3 ORIGINALY RELEASED BY ECM 120009

molex

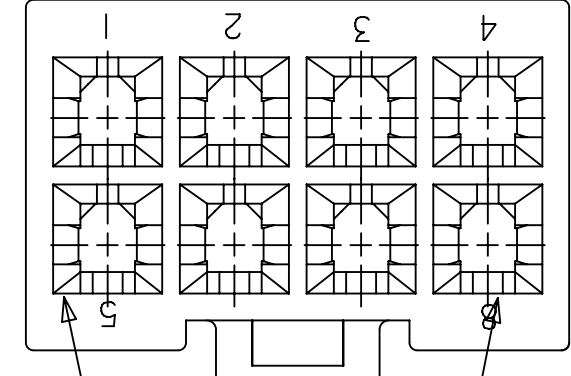
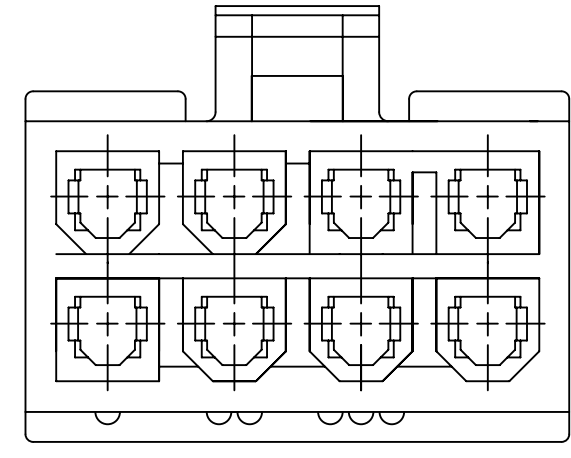
8 CKT. RECEPT. HOUSING
SPECIAL POLARIZATION MINI-FIT JR. SERIES

PRODUCT CUSTOMER DRAWING



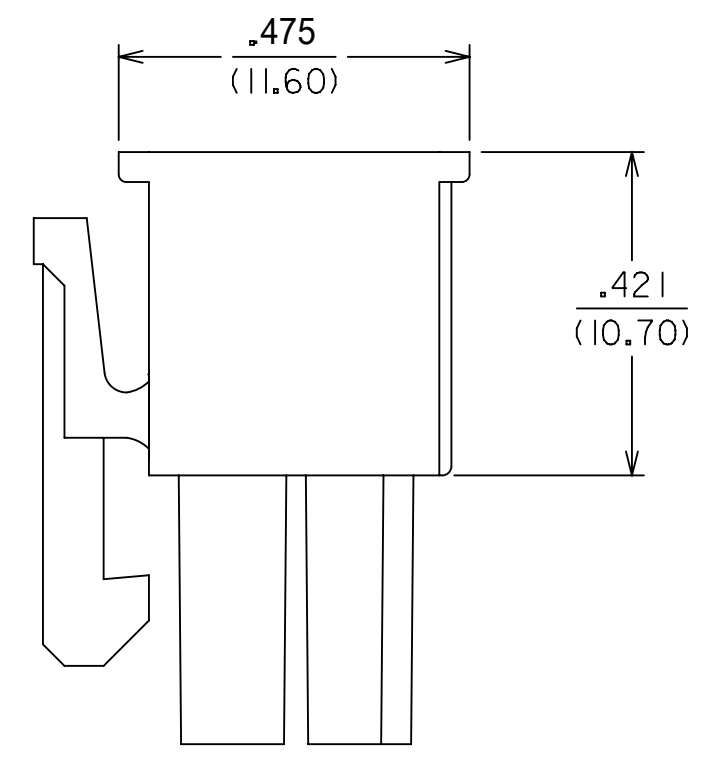
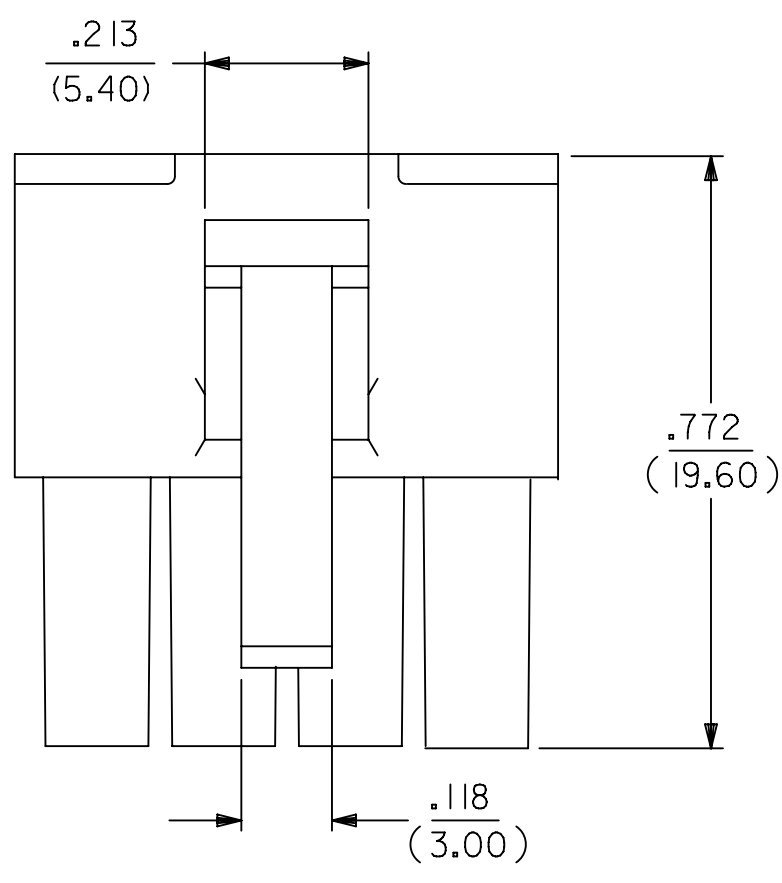
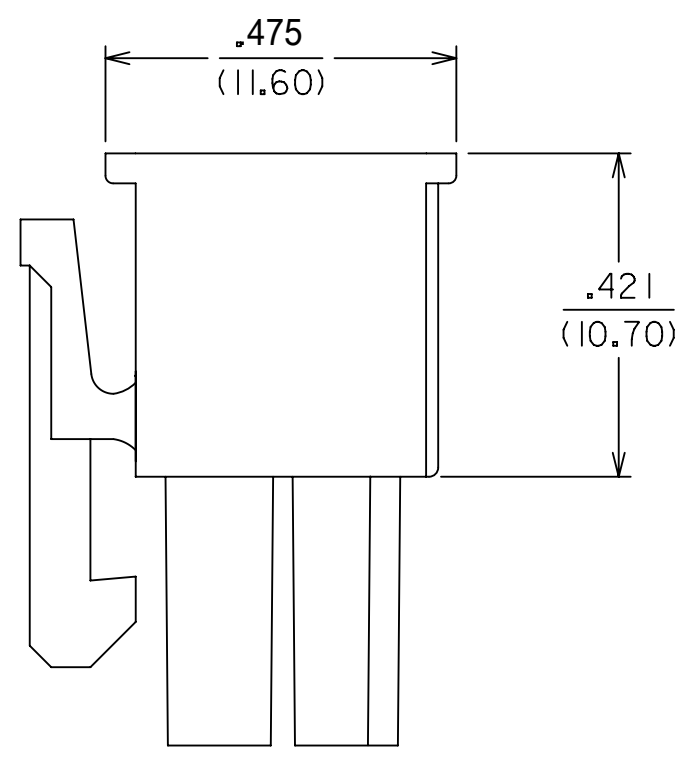
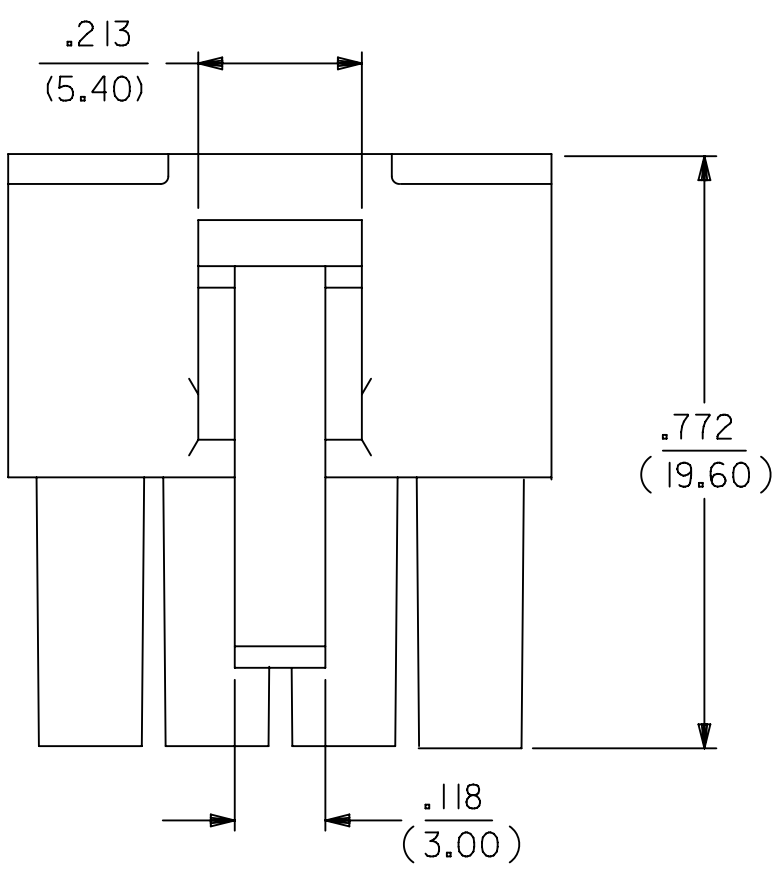
CKT. NO. 5 NXW 5557 CKT. NO. 8

455870002
SECOND GENERATION POLARIZATION



CKT. NO. 5 NXW 5557 CKT. NO. 8

455870004
THIRD GENERATION POLARIZATION



SYMBOLS	THIS DRAWING CONTAINS INFORMATION THAT IS PROPRIETARY TO MOLEX ELECTRONIC TECHNOLOGIES, LLC AND SHOULD NOT BE USED WITHOUT WRITTEN PERMISSION			
	DIMENSION UNITS	SCALE	CURRENT REV DESC: RELEASE -0004	
▽ = 0	IN/MM	4:1	<p style="text-align: center;">molex</p> <p style="text-align: center;">8 CKT. RECEPT. HOUSING SPECIAL POLARIZATION MINI-FIT JR. SERIES</p> <p style="text-align: center;">PRODUCT CUSTOMER DRAWING</p>	
▽ = 0	GENERAL TOLERANCES (UNLESS SPECIFIED)			
▽ = 0				
▽ = 0				
▽ = 0				
▽ = 0	4 PLACES ±	±	EC NO: 611764	2019/02/08
▽ = 0	3 PLACES ±	± 0.01	DRWN: DSTEIER	
▽ = 0	2 PLACES ±	± 0.25 ± 0.015	CHK'D: SSOUSEK	2019/02/15
▽ = 0	1 PLACE ±	± 0.38 ±	APPR: FSMITH	2019/02/20
▽ = 0	0 PLACES ±	±	INITIAL REVISION:	
▽ = 0	ANGULAR TOL ± 5.0 °		DRWN: CLS	2003/07/15
▽ = 0	DRAFT WHERE APPLICABLE MUST REMAIN WITHIN DIMENSIONS		APPR: FSMITH	2011/03/01
▽ = 0			THIRD ANGLE PROJECTION	DRAWING SERIES
				C-SIZE 45587
				MATERIAL NUMBER CUSTOMER SHEET NUMBER
				SEE CHART GENERAL MARKET 2 OF 2