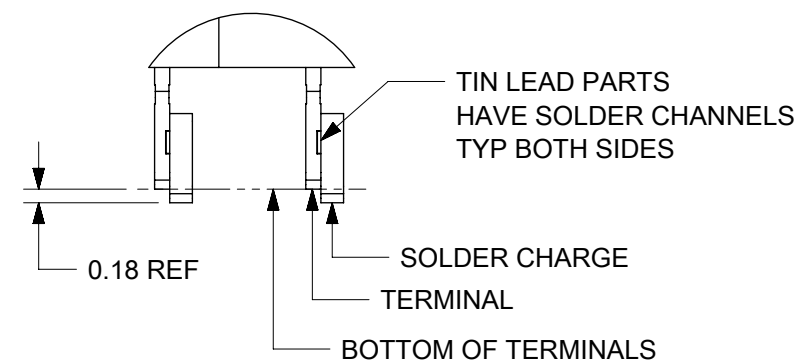
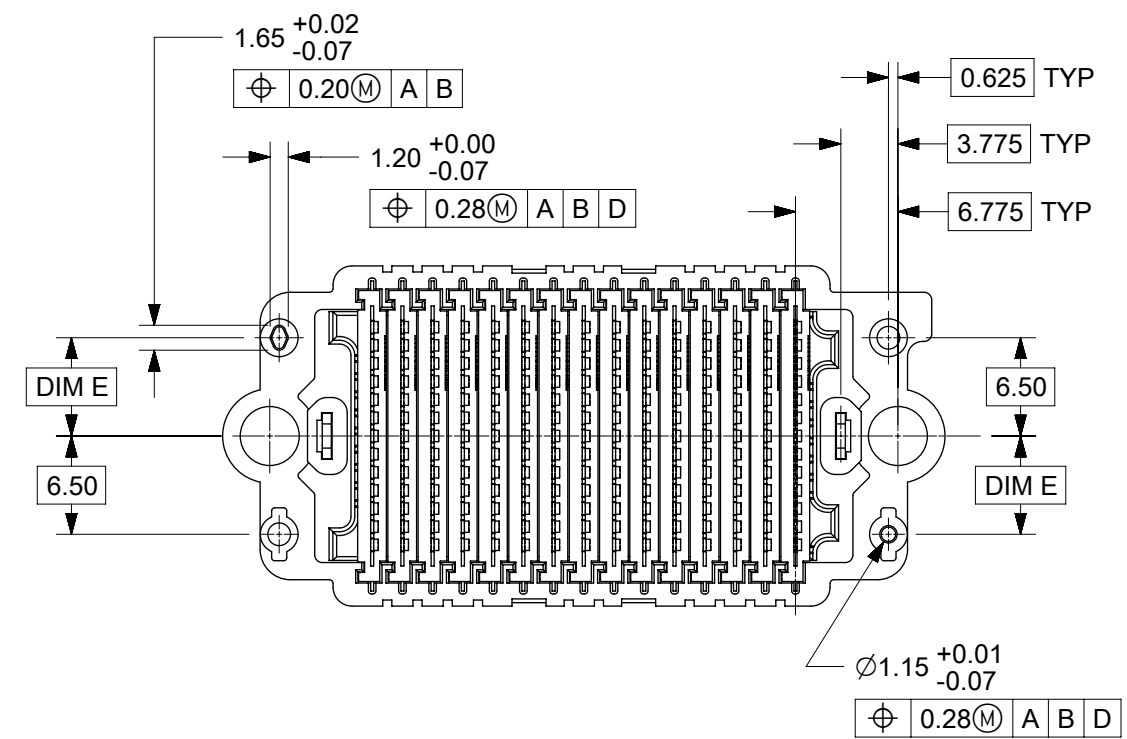
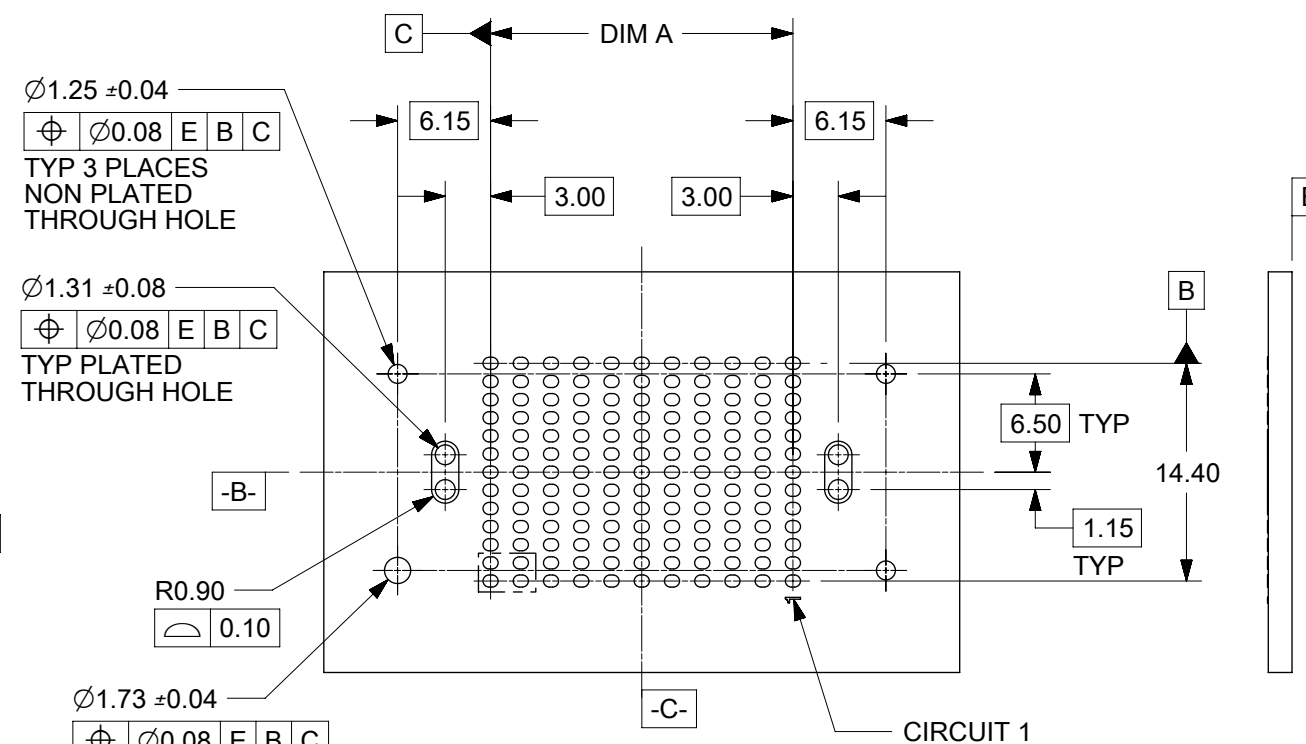
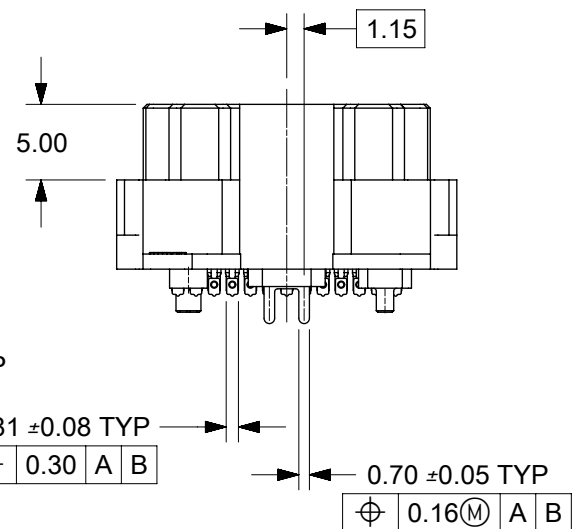
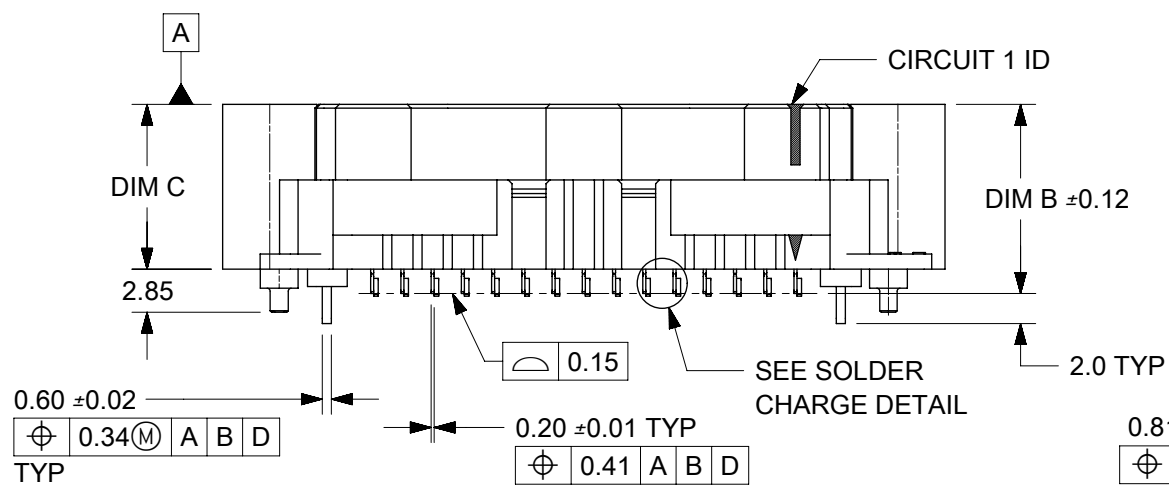


SOLDER CHARGE DETAIL

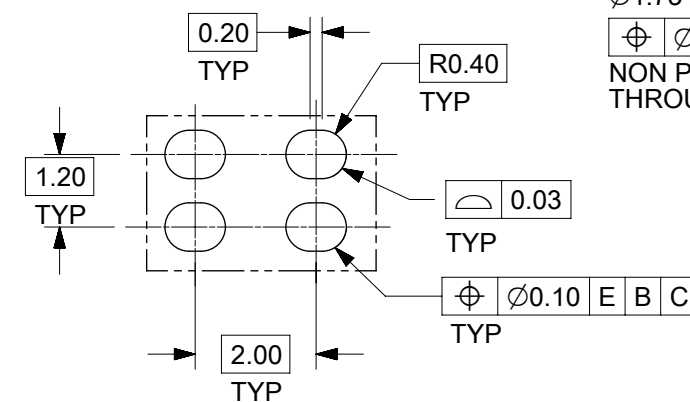


NOTES:

- HOUSING MATERIAL: LCP, GLASS FILLED, UL 94V-0, BLACK  
CONTACT MATERIAL: HIGH PERFORMANCE ALLOY  
SOLDER NAIL MATL: STAINLESS STEEL  
SOLDER CHARGE MATL: SEE TABLE
- FINISH: SELECT GOLD 30 MICRO-INCHES MINIMUM IN CONTACT AREA  
SELECT TIN: 100 MICRO-INCHES MINIMUM IN PCB TAIL  
BOTH OVER NICKEL
- PRODUCT SPEC: PS-45802-001
- COSMETIC SPEC; PS-45499-002 CLASS B
- PACKAGING SPEC: PK-45802-001 MOLEX STANDARD TRAYS  
PK-45802-0002 JEDEC STYLE TRAYS
- DATUM -D- IS THE CENTERLINE OF THE 2 END SLOTS. END SLOT CENTERLINES ARE ESTABLISHED USING 2 MEASUREMENTS FOR EACH SLOT TAKEN 7.20 EITHER SIDE OF DATUM -B-.
- THERE ARE 13 CKTS PER ROW

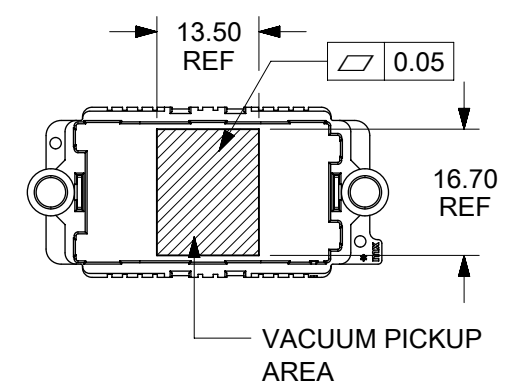


SOLDER PAD DETAIL

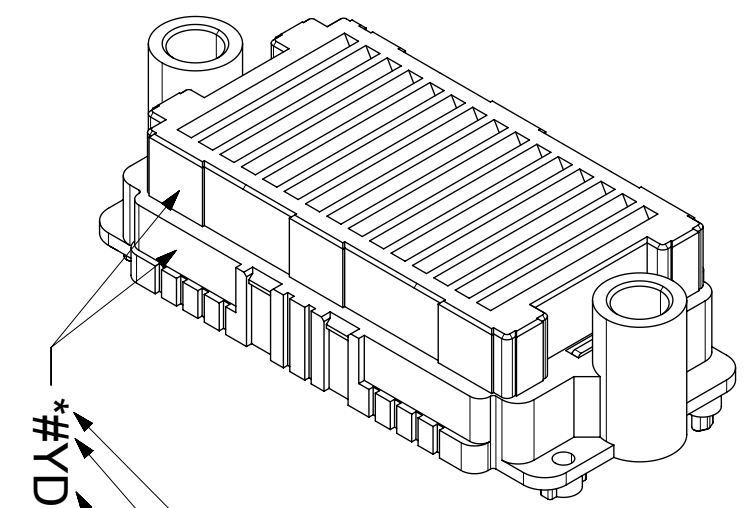


THIS DRAWING CONTAINS INFORMATION THAT IS PROPRIETARY TO MOLEX ELECTRONIC TECHNOLOGIES, LLC AND SHOULD NOT BE USED WITHOUT WRITTEN PERMISSION																																		
DIMENSION UNITS		SCALE		CURRENT REV DESC: MIGRATED TO NX																														
mm		2:1		<table border="1"> <tr> <td colspan="3"><b>molex</b></td> </tr> <tr> <td colspan="3">HIGH DENSITY MEZZANINE RECEPTACLE ASSEMBLY</td> </tr> <tr> <td colspan="3">PRODUCT CUSTOMER DRAWING</td> </tr> <tr> <td>DOCUMENT NUMBER</td> <td>DOC TYPE</td> <td>DOC PART</td> <td>REVISION</td> </tr> <tr> <td>SD-45802-0001</td> <td>PSD</td> <td>001</td> <td>J1</td> </tr> <tr> <td>MATERIAL NUMBER</td> <td>CUSTOMER</td> <td colspan="2">SHEET NUMBER</td> </tr> <tr> <td>SEE TABLE</td> <td>GENERAL MARKET</td> <td colspan="2">1 OF 4</td> </tr> </table>						<b>molex</b>			HIGH DENSITY MEZZANINE RECEPTACLE ASSEMBLY			PRODUCT CUSTOMER DRAWING			DOCUMENT NUMBER	DOC TYPE	DOC PART	REVISION	SD-45802-0001	PSD	001	J1	MATERIAL NUMBER	CUSTOMER	SHEET NUMBER		SEE TABLE	GENERAL MARKET	1 OF 4	
<b>molex</b>																																		
HIGH DENSITY MEZZANINE RECEPTACLE ASSEMBLY																																		
PRODUCT CUSTOMER DRAWING																																		
DOCUMENT NUMBER	DOC TYPE	DOC PART	REVISION																															
SD-45802-0001	PSD	001	J1																															
MATERIAL NUMBER	CUSTOMER	SHEET NUMBER																																
SEE TABLE	GENERAL MARKET	1 OF 4																																
GENERAL TOLERANCES (UNLESS SPECIFIED)				EC NO: 617645 DRWN: PMAHADEVAPPA 2019/05/10 CHK'D: DMCGOWAN 2019/05/22 APPR: DMCGOWAN 2019/05/22																														
ANGULAR TOL ± 0.5°				INITIAL REVISION:																														
4 PLACES ±				DRWN: TGREGORI 2010/10/06																														
3 PLACES ± 0.05				APPR: JCOMERCI 2010/10/22																														
2 PLACES ± 0.15																																		
1 PLACE ± 0.3																																		
0 PLACES ±																																		
DRAFT WHERE APPLICABLE MUST REMAIN WITHIN DIMENSIONS		THIRD ANGLE PROJECTION		DRAWING		SERIES		MATERIAL NUMBER																										
		B-SIZE		45802		SEE TABLE		GENERAL MARKET																										

			9	8	7	6	5	4	3				
TIN / LEAD PARTS LEAD CODE = "0"	STACK HEIGHT:			8mm	9mm	10mm	11mm	12mm	13mm	14mm	15mm	17mm	18mm
	DIM B:			10.51	11.51	12.51	13.51	14.51	15.51	16.51	17.51	19.51	20.51
	DIM C:			8.90	9.90	10.90	11.90	12.90	13.90	14.90	15.90	17.90	18.90
	ROWS	DIM A	DIM D	MATERIAL NO	MATERIAL NO	MATERIAL NO	MATERIAL NO	MATERIAL NO	MATERIAL NO	MATERIAL NO	MATERIAL NO	MATERIAL NO	MATERIAL NO
	07	12.00	31.89	45802-0007	45802-3007	45802-2007	45802-8007	45802-4007	45802-9007	45802-6007	45802-7007	45802-5007	45802-1007
	09	16.00	35.89	45802-0009	45802-3009	45802-2009	45802-8009	45802-4009	45802-9009	45802-6009	45802-7009	45802-5009	45802-1009
	11	20.00	39.89	45802-0011	45802-3011	45802-2011	45802-8011	45802-4011	45802-9011	45802-6011	45802-7011	45802-5011	45802-1011
	13	24.00	43.89	45802-0013	45802-3013	45802-2013	45802-8013	45802-4013	45802-9013	45802-6013	45802-7013	45802-5013	45802-1013
	15	28.00	47.89	45802-0015	45802-3015	45802-2015	45802-8015	45802-4015	45802-9015	45802-6015	45802-7015	45802-5015	45802-1015
	17	32.00	51.89	45802-0017	45802-3017	45802-2017	45802-8017	45802-4017	45802-9017	45802-6017	45802-7017	45802-5017	45802-1017
	19	36.00	55.89	45802-0019	45802-3019	45802-2019	45802-8019	45802-4019	45802-9019	45802-6019	45802-7019	45802-5019	45802-1019
	21	40.00	59.89	45802-0021	45802-3021	45802-2021	45802-8021	45802-4021	45802-9021	45802-6021	45802-7021	45802-5021	45802-1021
	23	44.00	63.89	45802-0123	45802-3023	45802-2023	45802-8023	45802-4023	45802-9023	45802-6023	45802-7023	45802-5023	45802-1123
25	48.00	67.89	45802-0025	45802-3025	45802-2025	45802-8025	45802-4025	45802-9025	45802-6025	45802-7025	45802-5025	45802-1025	
27	52.00	71.89	45802-0027	45802-3027	45802-2027	45802-8027	45802-4027	45802-9027	45802-6027	45802-7027	45802-5027	45802-1027	



			9	8	7	6	5	4	3				
TIN PARTS LEAD CODE = "2"	STACK HEIGHT:			8mm	9mm	10mm	11mm	12mm	13mm	14mm	15mm	17mm	18mm
	DIM B:			10.51	11.51	12.51	13.51	14.51	15.51	16.51	17.51	19.51	20.51
	DIM C:			8.90	9.90	10.90	11.90	12.90	13.90	14.90	15.90	17.90	18.90
	ROWS	DIM A	DIM D	MATERIAL NO	MATERIAL NO	MATERIAL NO	MATERIAL NO	MATERIAL NO	MATERIAL NO	MATERIAL NO	MATERIAL NO	MATERIAL NO	MATERIAL NO
	07	12.00	31.89	45802-0207	45802-3207	45802-2207	45802-8207	45802-4207	45802-9207	45802-6207	45802-7207	45802-5207	45802-1207
	09	16.00	35.89	45802-0209	45802-3209	45802-2209	45802-8209	45802-4209	45802-9209	45802-6209	45802-7209	45802-5209	45802-1209
	11	20.00	39.89	45802-0311	45802-3211	45802-2211	45802-8211	45802-4211	45802-9211	45802-6211	45802-7211	45802-5211	45802-1211
	13	24.00	43.89	45802-0213	45802-3213	45802-2213	45802-8213	45802-4213	45802-9213	45802-6213	45802-7213	45802-5213	45802-1213
	15	28.00	47.89	45802-0215	45802-3215	45802-2215	45802-8215	45802-4215	45802-9215	45802-6215	45802-7215	45802-5215	45802-1215
	17	32.00	51.89	45802-0217	45802-3217	45802-2217	45802-8217	45802-4217	45802-9217	45802-6217	45802-7217	45802-5217	45802-1217
	19	36.00	55.89	45802-0219	45802-3219	45802-2219	45802-8219	45802-4219	45802-9219	45802-6219	45802-7219	45802-5219	45802-1219
	21	40.00	59.89	45802-0221	45802-3221	45802-2221	45802-8221	45802-4221	45802-9221	45802-6221	45802-7221	45802-5221	45802-1221
	23	44.00	63.89	45802-0223	45802-3223	45802-2223	45802-8223	45802-4223	45802-9223	45802-6223	45802-7223	45802-5223	45802-1223
25	48.00	67.89	45802-0225	45802-3225	45802-2225	45802-8225	45802-4225	45802-9225	45802-6225	45802-7225	45802-5225	45802-1225	
27	52.00	71.89	45802-0227	45802-3227	45802-2227	45802-8227	45802-4227	45802-9227	45802-6227	45802-7227	45802-5227	45802-1227	



#YDDD

- ASSY MACHINE IDENTIFIER
- LEAD CODE  
0 = TIN LEAD (Sn63/Pb37)  
2 = TIN (Sn95.5/Ag3.8/Cu0.7)
- DATE CODE  
YEAR - DAY OF YEAR  
LOCATED APPROX AS SHOWN

PARTS SHOWN ON THIS SHEET  
HAVE THE FOLLOWING OPTIONS:

DIM E = 6.50  
PACKAGING: MOLEX STANDARD TRAYS

			9	8	7	6	5	4	3			
NOTE:												
1. SOLDER CHARGE COMPOSITION												
TIN/LEAD: Sn 63/Pb 37												
TIN Sn 95.5/ Ag 3.8/ Cu 0.7												
DOCUMENT STATUS	P1	RELEASE DATE	2019/05/22	19:41:30								

THIS DRAWING CONTAINS INFORMATION THAT IS PROPRIETARY TO MOLEX ELECTRONIC TECHNOLOGIES, LLC AND SHOULD NOT BE USED WITHOUT WRITTEN PERMISSION

DIMENSION UNITS	SCALE	CURRENT REV DESC: MIGRATED TO NX	
mm	1:1		
GENERAL TOLERANCES (UNLESS SPECIFIED)			
ANGULAR TOL	± 0.5°	EC NO: 617645	
4 PLACES	±	DRWN: PMAHADEVAPPA	2019/05/10
3 PLACES	± 0.05	CHK'D: DMCGOWAN	2019/05/22
2 PLACES	± 0.15	APPR: DMCGOWAN	2019/05/22
1 PLACE	± 0.3	INITIAL REVISION:	
0 PLACES	±	DRWN: TGREGORI	2010/10/06
DRAFT WHERE APPLICABLE MUST REMAIN WITHIN DIMENSIONS		APPR: JCOMERCI	2010/10/22
THIRD ANGLE PROJECTION	DRAWING	SERIES	DOCUMENT NUMBER
	B-SIZE	45802	SD-45802-0001
MATERIAL NUMBER		CUSTOMER	DOC TYPE   DOC PART   REVISION
SEE TABLE		GENERAL MARKET	PSD   001   J1
SHEET NUMBER		2 OF 4	

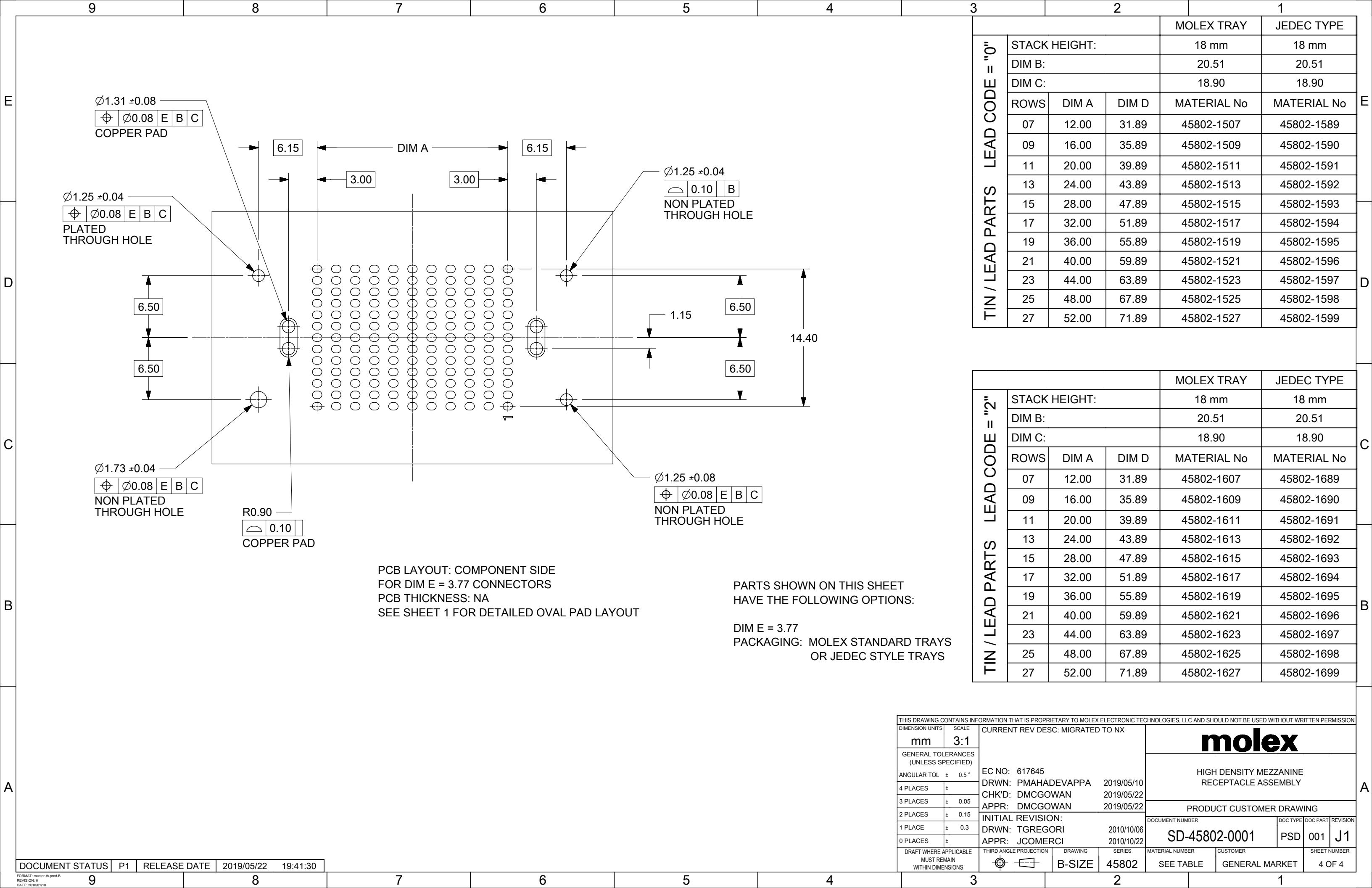
			9	8	7	6	5	4	3	2	1		
E TIN / LEAD PARTS LEAD CODE = "0"	STACK HEIGHT:		8 mm	9 mm	10 mm	11 mm	12 mm	13 mm	14 mm	15 mm	17 mm	18 mm	
	DIM B:		10.51	11.51	12.51	13.51	14.51	15.51	16.51	17.51	19.51	20.51	
	DIM C:		8.90	9.90	10.90	11.90	12.90	13.90	14.90	15.90	17.90	18.90	
				MATERIAL No	MATERIAL No	MATERIAL No	MATERIAL No	MATERIAL No	MATERIAL No	MATERIAL No	MATERIAL No	MATERIAL No	
	07	12.00	31.89	45802-0089	45802-3089	45802-2089	45802-8089	45802-4089	45802-9089	45802-6089	45802-7089	45802-5089	45802-1089
	09	16.00	35.89	45802-0090	45802-3090	45802-2090	45802-8090	45802-4090	45802-9090	45802-6090	45802-7090	45802-5090	45802-1090
	11	20.00	39.89	45802-0091	45802-3091	45802-2091	45802-8091	45802-4091	45802-9091	45802-6091	45802-7091	45802-5091	45802-1091
	13	24.00	43.89	45802-0092	45802-3092	45802-2092	45802-8092	45802-4092	45802-9092	45802-6092	45802-7092	45802-5092	45802-1092
	15	28.00	47.89	45802-0093	45802-3093	45802-2093	45802-8093	45802-4093	45802-9093	45802-6093	45802-7093	45802-5093	45802-1093
	17	32.00	51.89	45802-0094	45802-3094	45802-2094	45802-8094	45802-4094	45802-9094	45802-6094	45802-7094	45802-5094	45802-1094
	19	36.00	55.89	45802-0095	45802-3095	45802-2095	45802-8095	45802-4095	45802-9095	45802-6095	45802-7095	45802-5095	45802-1095
	21	40.00	59.89	45802-0096	45802-3096	45802-2096	45802-8096	45802-4096	45802-9096	45802-6096	45802-7096	45802-5096	45802-1096
	23	44.00	63.89	45802-0097	45802-3097	45802-2097	45802-8097	45802-4097	45802-9097	45802-6097	45802-7097	45802-5097	45802-1097
	25	48.00	67.89	45802-0098	45802-3098	45802-2098	45802-8098	45802-4098	45802-9098	45802-6098	45802-7098	45802-5098	45802-1098
27	52.00	71.89	45802-0099	45802-3099	45802-2099	45802-8099	45802-4099	45802-9099	45802-6099	45802-7099	45802-5099	45802-1099	

			9	8	7	6	5	4	3	2	1		
C TIN PARTS LEAD CODE = "2"	STACK HEIGHT:		8 mm	9 mm	10 mm	11 mm	12 mm	13 mm	14 mm	15 mm	17 mm	18 mm	
	DIM B		10.51	11.51	12.51	13.51	14.51	15.51	16.51	17.51	19.51	20.51	
	DIM C		8.90	9.90	10.90	11.90	12.90	13.90	14.90	15.90	17.90	18.90	
				MATERIAL No	MATERIAL No	MATERIAL No	MATERIAL No	MATERIAL No	MATERIAL No	MATERIAL No	MATERIAL No	MATERIAL No	
	07	12.00	31.89	45802-0289	45802-3289	45802-2289	45802-8289	45802-4289	45802-9289	45802-6289	45802-7289	45802-5289	45802-1289
	09	16.00	35.89	45802-0290	45802-3290	45802-2290	45802-8290	45802-4290	45802-9290	45802-6290	45802-7290	45802-5290	45802-1290
	11	20.00	39.89	45802-0291	45802-3291	45802-2291	45802-8291	45802-4291	45802-9291	45802-6291	45802-7291	45802-5291	45802-1291
	13	24.00	43.89	45802-0292	45802-3292	45802-2292	45802-8292	45802-4292	45802-9292	45802-6292	45802-7292	45802-5292	45802-1292
	15	28.00	47.89	45802-0293	45802-3293	45802-2293	45802-8293	45802-4293	45802-9293	45802-6293	45802-7293	45802-5293	45802-1293
	17	32.00	51.89	45802-0294	45802-3294	45802-2294	45802-8294	45802-4294	45802-9294	45802-6294	45802-7294	45802-5294	45802-1294
	19	36.00	55.89	45802-0295	45802-3295	45802-2295	45802-8295	45802-4295	45802-9295	45802-6295	45802-7295	45802-5295	45802-1295
	21	40.00	59.89	45802-0296	45802-3296	45802-2296	45802-8296	45802-4296	45802-9296	45802-6296	45802-7296	45802-5296	45802-1296
	23	44.00	63.89	45802-0297	45802-3297	45802-2297	45802-8297	45802-4297	45802-9297	45802-6297	45802-7297	45802-5297	45802-1297
	25	48.00	67.89	45802-0298	45802-3298	45802-2298	45802-8298	45802-4298	45802-9298	45802-6298	45802-7298	45802-5298	45802-1298
27	52.00	71.89	45802-0299	45802-3299	45802-2299	45802-8299	45802-4299	45802-9299	45802-6299	45802-7299	45802-5299	45802-1299	

PARTS SHOWN ON THIS SHEET  
HAVE THE FOLLOWING OPTIONS:

DIM E = 6.50  
PACKAGING: JEDEC STYLE TRAYS

THIS DRAWING CONTAINS INFORMATION THAT IS PROPRIETARY TO MOLEX ELECTRONIC TECHNOLOGIES, LLC AND SHOULD NOT BE USED WITHOUT WRITTEN PERMISSION											
DIMENSION UNITS <b>mm</b>		SCALE <b>1:1</b>		CURRENT REV DESC: MIGRATED TO NX							
GENERAL TOLERANCES (UNLESS SPECIFIED)				<b>molex</b>  HIGH DENSITY MEZZANINE RECEPTACLE ASSEMBLY  PRODUCT CUSTOMER DRAWING							
ANGULAR TOL ± 0.5°		EC NO: 617645									
4 PLACES ±		DRWN: PMAHADEVAPPA 2019/05/10									
3 PLACES ± 0.05		CHK'D: DMCGOWAN 2019/05/22									
2 PLACES ± 0.15		APPR: DMCGOWAN 2019/05/22									
1 PLACE ± 0.3		INITIAL REVISION:									
0 PLACES ±		DRWN: TGREGORI 2010/10/06		DOCUMENT NUMBER <b>SD-45802-0001</b>		DOC TYPE <b>PSD</b>		DOC PART <b>001</b>		REVISION <b>J1</b>	
DRAFT WHERE APPLICABLE MUST REMAIN WITHIN DIMENSIONS		THIRD ANGLE PROJECTION		DRAWING <b>B-SIZE</b>		SERIES <b>45802</b>		MATERIAL NUMBER <b>SEE TABLE</b>		CUSTOMER <b>GENERAL MARKET</b>	
DOCUMENT STATUS <b>P1</b>		RELEASE DATE <b>2019/05/22 19:41:30</b>									



PCB LAYOUT: COMPONENT SIDE  
 FOR DIM E = 3.77 CONNECTORS  
 PCB THICKNESS: NA  
 SEE SHEET 1 FOR DETAILED OVAL PAD LAYOUT

PARTS SHOWN ON THIS SHEET  
 HAVE THE FOLLOWING OPTIONS:

DIM E = 3.77  
 PACKAGING: MOLEX STANDARD TRAYS  
 OR JEDEC STYLE TRAYS

			MOLEX TRAY	JEDEC TYPE	
TIN / LEAD PARTS	LEAD CODE = "0"				
	STACK HEIGHT:		18 mm	18 mm	
	DIM B:		20.51	20.51	
	DIM C:		18.90	18.90	
	ROWS	DIM A	DIM D	MATERIAL No	MATERIAL No
	07	12.00	31.89	45802-1507	45802-1589
	09	16.00	35.89	45802-1509	45802-1590
	11	20.00	39.89	45802-1511	45802-1591
	13	24.00	43.89	45802-1513	45802-1592
	15	28.00	47.89	45802-1515	45802-1593
17	32.00	51.89	45802-1517	45802-1594	
19	36.00	55.89	45802-1519	45802-1595	
21	40.00	59.89	45802-1521	45802-1596	
23	44.00	63.89	45802-1523	45802-1597	
25	48.00	67.89	45802-1525	45802-1598	
27	52.00	71.89	45802-1527	45802-1599	

			MOLEX TRAY	JEDEC TYPE	
TIN / LEAD PARTS	LEAD CODE = "2"				
	STACK HEIGHT:		18 mm	18 mm	
	DIM B:		20.51	20.51	
	DIM C:		18.90	18.90	
	ROWS	DIM A	DIM D	MATERIAL No	MATERIAL No
	07	12.00	31.89	45802-1607	45802-1689
	09	16.00	35.89	45802-1609	45802-1690
	11	20.00	39.89	45802-1611	45802-1691
	13	24.00	43.89	45802-1613	45802-1692
	15	28.00	47.89	45802-1615	45802-1693
17	32.00	51.89	45802-1617	45802-1694	
19	36.00	55.89	45802-1619	45802-1695	
21	40.00	59.89	45802-1621	45802-1696	
23	44.00	63.89	45802-1623	45802-1697	
25	48.00	67.89	45802-1625	45802-1698	
27	52.00	71.89	45802-1627	45802-1699	

THIS DRAWING CONTAINS INFORMATION THAT IS PROPRIETARY TO MOLEX ELECTRONIC TECHNOLOGIES, LLC AND SHOULD NOT BE USED WITHOUT WRITTEN PERMISSION

DIMENSION UNITS	SCALE	CURRENT REV DESC: MIGRATED TO NX	
mm	3:1		
GENERAL TOLERANCES (UNLESS SPECIFIED)			
ANGULAR TOL	± 0.5°		
4 PLACES	±		
3 PLACES	± 0.05		
2 PLACES	± 0.15		
1 PLACE	± 0.3		
0 PLACES	±		
DRAFT WHERE APPLICABLE MUST REMAIN WITHIN DIMENSIONS		THIRD ANGLE PROJECTION	DRAWING SERIES
			B-SIZE 45802

EC NO: 617645		DRWN: PMAHADEVAPPA 2019/05/10	
CHK'D: DMCGOWAN 2019/05/22		APPR: DMCGOWAN 2019/05/22	
INITIAL REVISION:		DRWN: TGREGORI 2010/10/06	
		APPR: JCOMERCI 2010/10/22	

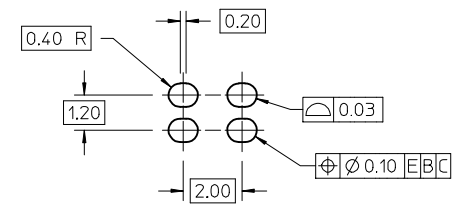
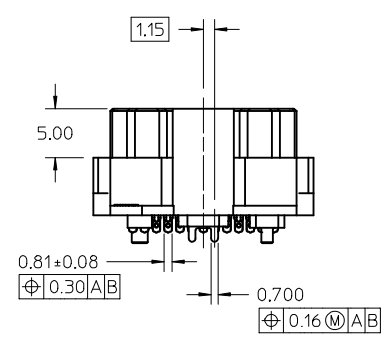
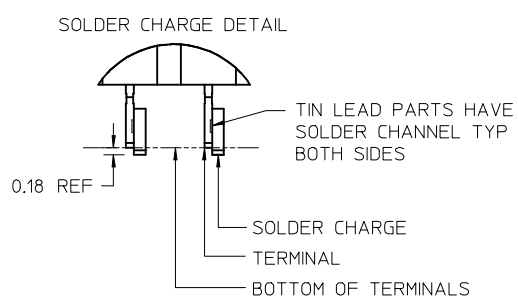
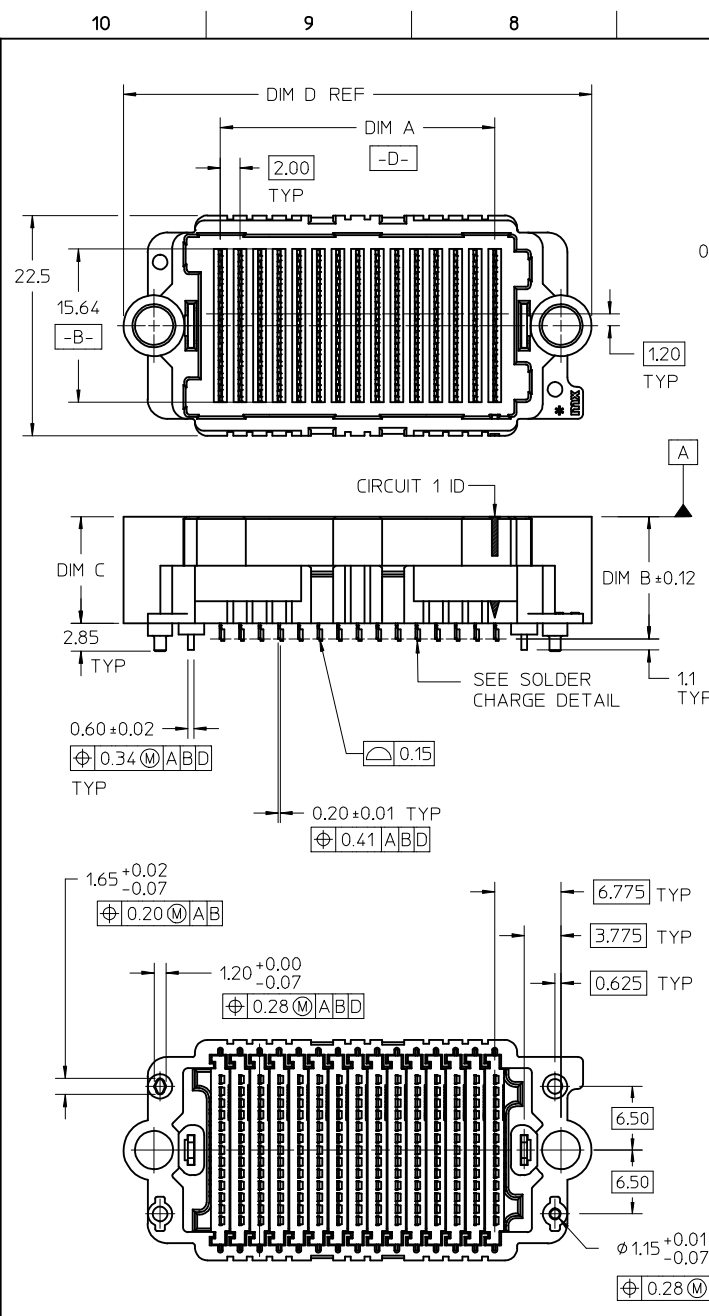
DOCUMENT NUMBER			DOC TYPE	DOC PART	REVISION
SD-45802-0001			PSD	001	J1

MATERIAL NUMBER		CUSTOMER		SHEET NUMBER
SEE TABLE		GENERAL MARKET		4 OF 4

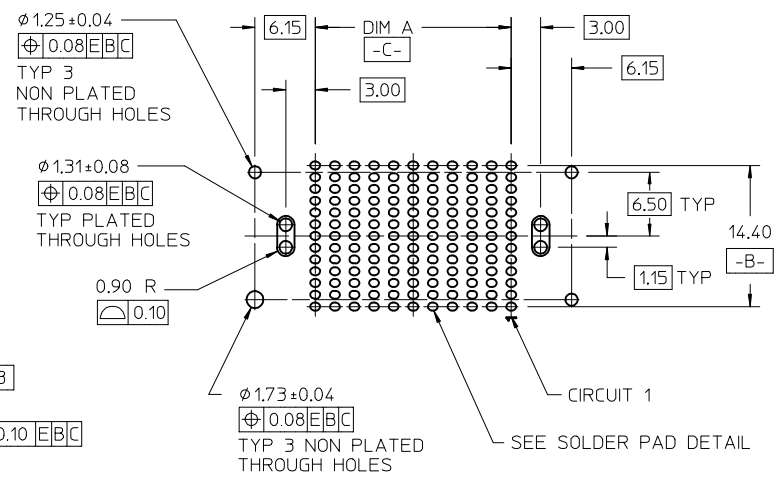
**molex**

HIGH DENSITY MEZZANINE RECEPTACLE ASSEMBLY

PRODUCT CUSTOMER DRAWING



SOLDER PAD DETAIL  
TYP ALL PADS

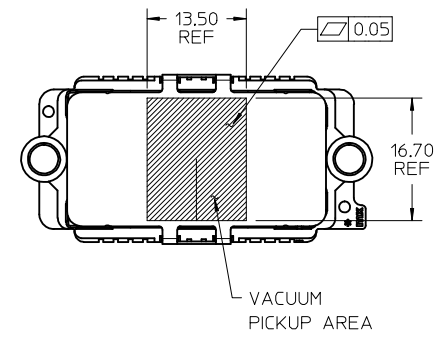


PCB LAYOUT: COMPONENT SIDE  
PCB THICKNESS: N/A

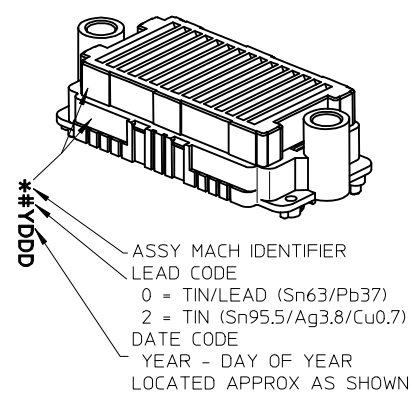
- NOTES:
- HOUSING MATERIAL: LCP, GLASS FILLED, UL 94V-0, BLACK  
CONTACT MATERIAL: HIGH PERFORMANCE ALLOY  
SOLDER NAIL MATERIAL: STAINLESS STEEL  
SOLDER CHARGE: SEE TABLE
  - FINISH: SELECT GOLD: 30 MICRO-INCHES MINIMUM IN CONTACT AREA  
SELECT TIN: 100 MICRO-INCHES MINIMUM IN TAIL AREA  
BOTH OVER NICKEL
  - PRODUCT SPECIFICATION: PS-45802-001
  - COSMETIC SPECIFICATION: PS-45499-002 CLASS B
  - PACKAGING SPECIFICATION: PK-45802-001 MOLEX STANDARD TRAYS  
PK-45802-0002 JEDEC STYLE TRAYS
  - DATUM -D- IS THE CENTERLINE OF THE 2 END SLOTS. END  
SLOT CENTERLINES ARE ESTABLISHED USING 2 MEASUREMENTS  
FOR EACH SLOT TAKEN 7.20 EITHER SIDE OF DATUM -B-
  - THERE ARE 13 CIRCUITS PER ROW.

<b>CLARIFY PEG LOCATION</b> EC NO: UCP2016-3732 DRAWN: SVANG01 2016/03/24 CHKD: MCAN 2016/03/24 APPR: DMCCOWAN 2016/03/31	<b>QUALITY SYMBOLS</b> ▽/0 ▽/0 ▽/0	<b>GENERAL TOLERANCES (UNLESS SPECIFIED)</b>		<b>DIMENSION STYLE</b> <b>MM ONLY</b>		<b>SCALE</b> 2:1	<b>DESIGN UNITS</b> METRIC	THIRD ANGLE PROJECTION		
		mm	INCH	DRAWN BY	DATE	<b>TITLE</b> HIGH DENSITY MEZZANINE RECEPTACLE ASSEMBLY WITH SHORT SOLDER NAILS				
		4 PLACES ± ---	± ---	TGREGORI	2010/10/06	<b>molex</b>				
		3 PLACES ± 0.05	± ---	CHECKED BY	DATE					
2 PLACES ± 0.15	± ---	APPROVED BY	DATE	<b>DOCUMENT NO.</b> SD-45802-0002		<b>SHEET NO.</b> 1 OF 3				
1 PLACE ± 0.30	± ---	JCOMERCI	2010/10/22	<b>MATERIAL NO.</b> SEE TABLE		THIS DRAWING CONTAINS INFORMATION THAT IS PROPRIETARY TO MOLEX INCORPORATED AND SHOULD NOT BE USED WITHOUT WRITTEN PERMISSION				
0 PLACE ±	±	<b>SIZE</b> B		ANGULAR ± 1/2° DRAFT WHERE APPLICABLE MUST REMAIN WITHIN DIMENSIONS						

			10	9	8	7	6	5	4	3	2	1	
F	STACK HEIGHT:		8 mm	9 mm	10 mm	11 mm	12 mm	13 mm	14 mm	15 mm	17 mm	18 mm	
	DIM B:		10.51	11.51	12.51	13.51	14.51	15.51	16.51	17.51	19.51	20.51	
	DIM C:		8.90	9.90	10.90	11.90	12.90	13.90	14.90	15.90	17.90	18.90	
	ROWS	DIM A	DIM G	MATERIAL No	MATERIAL No	MATERIAL No	MATERIAL No	MATERIAL No	MATERIAL No	MATERIAL No	MATERIAL No	MATERIAL No	
	07	12.00	31.89	45802-0707	45802-3707	45802-2707	45802-8707	45802-4707	45802-9707	45802-6707	45802-7707	45802-5707	45802-1707
	09	16.00	35.89	45802-0709	45802-3709	45802-2709	45802-8709	45802-4709	45802-9709	45802-6709	45802-7709	45802-5709	45802-1709
	11	20.00	39.89	45802-0711	45802-3711	45802-2711	45802-8711	45802-4711	45802-9711	45802-6711	45802-7711	45802-5711	45802-1711
	13	24.00	43.89	45802-0713	45802-3713	45802-2713	45802-8713	45802-4713	45802-9713	45802-6713	45802-7713	45802-5713	45802-1713
	15	28.00	47.89	45802-0715	45802-3715	45802-2715	45802-8715	45802-4715	45802-9715	45802-6715	45802-7715	45802-5715	45802-1715
	17	32.00	51.89	45802-0717	45802-3717	45802-2717	45802-8717	45802-4717	45802-9717	45802-6717	45802-7717	45802-5717	45802-1717
E	19	36.00	55.89	45802-0719	45802-3719	45802-2719	45802-8719	45802-4719	45802-9719	45802-6719	45802-7719	45802-5719	45802-1719
	21	40.00	59.89	45802-0721	45802-3721	45802-2721	45802-8721	45802-4721	45802-9721	45802-6721	45802-7721	45802-5721	45802-1721
	23	44.00	63.89	45802-0723	45802-3723	45802-2723	45802-8723	45802-4723	45802-9723	45802-6723	45802-7723	45802-5723	45802-1723
	25	48.00	67.89	45802-0725	45802-3725	45802-2725	45802-8725	45802-4725	45802-9725	45802-6725	45802-7725	45802-5725	45802-1725
	27	52.00	71.89	45802-0727	45802-3727	45802-2727	45802-8727	45802-4727	45802-9727	45802-6727	45802-7727	45802-5727	45802-1727



			10	9	8	7	6	5	4	3	2	1	
D	STACK HEIGHT:		8 mm	9 mm	10 mm	11 mm	12 mm	13 mm	14 mm	15 mm	17 mm	18 mm	
	DIM B:		10.51	11.51	12.51	13.51	14.51	15.51	16.51	17.51	19.51	20.51	
	DIM C:		8.90	9.90	10.90	11.90	12.90	13.90	14.90	15.90	17.90	18.90	
	ROWS	DIM A	DIM G	MATERIAL No	MATERIAL No	MATERIAL No	MATERIAL No	MATERIAL No	MATERIAL No	MATERIAL No	MATERIAL No	MATERIAL No	
	07	12.00	31.89	45802-0807	45802-3807	45802-2807	45802-8807	45802-4807	45802-9807	45802-6807	45802-7807	45802-5807	45802-1807
	09	16.00	35.89	45802-0809	45802-3809	45802-2809	45802-8809	45802-4809	45802-9809	45802-6809	45802-7809	45802-5809	45802-1809
	11	20.00	39.89	45802-0811	45802-3811	45802-2811	45802-8811	45802-4811	45802-9811	45802-6811	45802-7811	45802-5811	45802-1811
	13	24.00	43.89	45802-0813	45802-3813	45802-2813	45802-8813	45802-4813	45802-9813	45802-6813	45802-7813	45802-5813	45802-1813
	15	28.00	47.89	45802-0815	45802-3815	45802-2815	45802-8815	45802-4815	45802-9815	45802-6815	45802-7815	45802-5815	45802-1815
	17	32.00	51.89	45802-0817	45802-3817	45802-2817	45802-8817	45802-4817	45802-9817	45802-6817	45802-7817	45802-5817	45802-1817
C	19	36.00	55.89	45802-0819	45802-3819	45802-2819	45802-8819	45802-4819	45802-9819	45802-6819	45802-7819	45802-5819	45802-1819
	21	40.00	59.89	45802-0821	45802-3821	45802-2821	45802-8821	45802-4821	45802-9821	45802-6821	45802-7821	45802-5821	45802-1821
	23	44.00	63.89	45802-0823	45802-3823	45802-2823	45802-8823	45802-4823	45802-9823	45802-6823	45802-7823	45802-5823	45802-1823
	25	48.00	67.89	45802-0825	45802-3825	45802-2825	45802-8825	45802-4825	45802-9825	45802-6825	45802-7825	45802-5825	45802-1825
	27	52.00	71.89	45802-0827	45802-3827	45802-2827	45802-8827	45802-4827	45802-9827	45802-6827	45802-7827	45802-5827	45802-1827



ALL PARTS ON THIS SHEET HAVE THE FOLLOWING OPTIONS

PACKAGING: MOLEX STANDARD TRAY

			10	9	8	7	6	5	4	3	2	1	
B	STACK HEIGHT:		8 mm	9 mm	10 mm	11 mm	12 mm	13 mm	14 mm	15 mm	17 mm	18 mm	
	DIM B:		10.51	11.51	12.51	13.51	14.51	15.51	16.51	17.51	19.51	20.51	
	DIM C:		8.90	9.90	10.90	11.90	12.90	13.90	14.90	15.90	17.90	18.90	
	ROWS	DIM A	DIM G	MATERIAL No	MATERIAL No	MATERIAL No	MATERIAL No	MATERIAL No	MATERIAL No	MATERIAL No	MATERIAL No	MATERIAL No	
	07	12.00	31.89	45802-0807	45802-3807	45802-2807	45802-8807	45802-4807	45802-9807	45802-6807	45802-7807	45802-5807	45802-1807
	09	16.00	35.89	45802-0809	45802-3809	45802-2809	45802-8809	45802-4809	45802-9809	45802-6809	45802-7809	45802-5809	45802-1809
	11	20.00	39.89	45802-0811	45802-3811	45802-2811	45802-8811	45802-4811	45802-9811	45802-6811	45802-7811	45802-5811	45802-1811
	13	24.00	43.89	45802-0813	45802-3813	45802-2813	45802-8813	45802-4813	45802-9813	45802-6813	45802-7813	45802-5813	45802-1813
	15	28.00	47.89	45802-0815	45802-3815	45802-2815	45802-8815	45802-4815	45802-9815	45802-6815	45802-7815	45802-5815	45802-1815
	17	32.00	51.89	45802-0817	45802-3817	45802-2817	45802-8817	45802-4817	45802-9817	45802-6817	45802-7817	45802-5817	45802-1817
A	19	36.00	55.89	45802-0819	45802-3819	45802-2819	45802-8819	45802-4819	45802-9819	45802-6819	45802-7819	45802-5819	45802-1819
	21	40.00	59.89	45802-0821	45802-3821	45802-2821	45802-8821	45802-4821	45802-9821	45802-6821	45802-7821	45802-5821	45802-1821
	23	44.00	63.89	45802-0823	45802-3823	45802-2823	45802-8823	45802-4823	45802-9823	45802-6823	45802-7823	45802-5823	45802-1823
	25	48.00	67.89	45802-0825	45802-3825	45802-2825	45802-8825	45802-4825	45802-9825	45802-6825	45802-7825	45802-5825	45802-1825
	27	52.00	71.89	45802-0827	45802-3827	45802-2827	45802-8827	45802-4827	45802-9827	45802-6827	45802-7827	45802-5827	45802-1827

NOTE:  
 1. SOLDER CHARGE COMPOSITION  
 TIN/LEAD: Sn 63/Pb 37  
 TIN: Sn 95.5/ Ag 3.8/ Cu 0.7

SEE SHEET 1 EC NO: UCP2016-3732 DRWNS: SVANG01 2016/03/24 CHKD: MCA IN 2016/03/24 APPR: DMCGOWAN 2016/03/31	QUALITY SYMBOLS	GENERAL TOLERANCES (UNLESS SPECIFIED)	DIMENSION STYLE	SCALE	DESIGN UNITS	THIRD ANGLE PROJECTION
	$\nabla F=0$ $\nabla E=0$ $\nabla D=0$	mm INCH 4 PLACES ± --- ± --- 3 PLACES ± 0.05 ± --- 2 PLACES ± 0.15 ± --- 1 PLACE ± 0.30 ± --- 0 PLACE ± ±	MM ONLY	1.5:1	METRIC	
			DRAWN BY	DATE	TITLE	
			CHECKED BY	DATE		
REV	DESCRIPTION	ANGULAR ± 1/2° DRAFT WHERE APPLICABLE MUST REMAIN WITHIN DIMENSIONS	APPROVED BY	DATE	MATERIAL NO.	DOCUMENT NO.
			JCOMERC I	2010/10/22		
			SEE TABLE			SD-45802-0002
			SIZE B	THIS DRAWING CONTAINS INFORMATION THAT IS PROPRIETARY TO MOLEX INCORPORATED AND SHOULD NOT BE USED WITHOUT WRITTEN PERMISSION		SHEET NO. 2 OF 3

			10	9	8	7	6	5	4	3	2	1	
F TIN / LEAD PARTS	STACK HEIGHT:		8 mm	9 mm	10 mm	11 mm	12 mm	13 mm	14 mm	15 mm	17 mm	18 mm	
	DIM B:		10.51	11.51	12.51	13.51	14.51	15.51	16.51	17.51	19.51	20.51	
	DIM C:		8.90	9.90	10.90	11.90	12.90	13.90	14.90	15.90	17.90	18.90	
	ROWS	DIM A	DIM G	MATERIAL No	MATERIAL No	MATERIAL No	MATERIAL No	MATERIAL No	MATERIAL No	MATERIAL No	MATERIAL No	MATERIAL No	
	07	12.00	31.89	45802-0789	45802-3789	45802-2789	45802-8789	45802-4789	45802-9789	45802-6789	45802-7789	45802-5789	45802-1789
	09	16.00	35.89	45802-0790	45802-3790	45802-2790	45802-8790	45802-4790	45802-9790	45802-6790	45802-7790	45802-5790	45802-1790
	11	20.00	39.89	45802-0791	45802-3791	45802-2791	45802-8791	45802-4791	45802-9791	45802-6791	45802-7791	45802-5791	45802-1791
	13	24.00	43.89	45802-0792	45802-3792	45802-2792	45802-8792	45802-4792	45802-9792	45802-6792	45802-7792	45802-5792	45802-1792
	15	28.00	47.89	45802-0793	45802-3793	45802-2793	45802-8793	45802-4793	45802-9793	45802-6793	45802-7793	45802-5793	45802-1793
	17	32.00	51.89	45802-0794	45802-3794	45802-2794	45802-8794	45802-4794	45802-9794	45802-6794	45802-7794	45802-5794	45802-1794
	19	36.00	55.89	45802-0795	45802-3795	45802-2795	45802-8795	45802-4795	45802-9795	45802-6795	45802-7795	45802-5795	45802-1795
	21	40.00	59.89	45802-0796	45802-3796	45802-2796	45802-8796	45802-4796	45802-9796	45802-6796	45802-7796	45802-5796	45802-1796
	23	44.00	63.89	45802-0797	45802-3797	45802-2797	45802-8797	45802-4797	45802-9797	45802-6797	45802-7797	45802-5797	45802-1797
25	48.00	67.89	45802-0798	45802-3798	45802-2798	45802-8798	45802-4798	45802-9798	45802-6798	45802-7798	45802-5798	45802-1798	
27	52.00	71.89	45802-0799	45802-3799	45802-2799	45802-8799	45802-4799	45802-9799	45802-6799	45802-7799	45802-5799	45802-1799	

			10	9	8	7	6	5	4	3	2	1	
D C B TIN PARTS	STACK HEIGHT:		8 mm	9 mm	10 mm	11 mm	12 mm	13 mm	14 mm	15 mm	17 mm	18 mm	
	DIM B:		10.51	11.51	12.51	13.51	14.51	15.51	16.51	17.51	19.51	20.51	
	DIM C:		8.90	9.90	10.90	11.90	12.90	13.90	14.90	15.90	17.90	18.90	
	ROWS	DIM A	DIM G	MATERIAL No	MATERIAL No	MATERIAL No	MATERIAL No	MATERIAL No	MATERIAL No	MATERIAL No	MATERIAL No	MATERIAL No	
	07	12.00	31.89	45802-0889	45802-3889	45802-2889	45802-8889	45802-4889	45802-9889	45802-6889	45802-7889	45802-5889	45802-1889
	09	16.00	35.89	45802-0890	45802-3890	45802-2890	45802-8890	45802-4890	45802-9890	45802-6890	45802-7890	45802-5890	45802-1890
	11	20.00	39.89	45802-0891	45802-3891	45802-2891	45802-8891	45802-4891	45802-9891	45802-6891	45802-7891	45802-5891	45802-1891
	13	24.00	43.89	45802-0892	45802-3892	45802-2892	45802-8892	45802-4892	45802-9892	45802-6892	45802-7892	45802-5892	45802-1892
	15	28.00	47.89	45802-0893	45802-3893	45802-2893	45802-8893	45802-4893	45802-9893	45802-6893	45802-7893	45802-5893	45802-1893
	17	32.00	51.89	45802-0894	45802-3894	45802-2894	45802-8894	45802-4894	45802-9894	45802-6894	45802-7894	45802-5894	45802-1894
	19	36.00	55.89	45802-0895	45802-3895	45802-2895	45802-8895	45802-4895	45802-9895	45802-6895	45802-7895	45802-5895	45802-1895
	21	40.00	59.89	45802-0896	45802-3896	45802-2896	45802-8896	45802-4896	45802-9896	45802-6896	45802-7896	45802-5896	45802-1896
	23	44.00	63.89	45802-0897	45802-3897	45802-2897	45802-8897	45802-4897	45802-9897	45802-6897	45802-7897	45802-5897	45802-1897
25	48.00	67.89	45802-0898	45802-3898	45802-2898	45802-8898	45802-4898	45802-9898	45802-6898	45802-7898	45802-5898	45802-1898	
27	52.00	71.89	45802-0899	45802-3899	45802-2899	45802-8899	45802-4899	45802-9899	45802-6899	45802-7899	45802-5899	45802-1899	

ALL PARTS ON THIS SHEET HAVE THE FOLLOWING OPTIONS:  
PACKAGING: JEDEC STYLE TRAY

A SEE SHEET 1 EC NO: UCP2016-3732 DRAWN: SVANG01 2016/03/24 CHKD: MCAIN 2016/03/24 APPR: DMC GOWAN 2016/03/31	F REV	QUALITY SYMBOLS	GENERAL TOLERANCES (UNLESS SPECIFIED)	DIMENSION STYLE	SCALE	DESIGN UNITS	THIRD ANGLE PROJECTION
		▽F=0	mm INCH	MM ONLY	1:1	METRIC	⊙
		▽E=0	4 PLACES ± --- ± ---	DRAWN BY DATE	TITLE		
		▽E=0	3 PLACES ± 0.05 ± ---	TGREGORI 2010/10/06	HIGH DENSITY MEZZANINE RECEPTACLE ASSEMBLY WITH SHORT SOLDER NAILS		
		2 PLACES ± 0.15 ± ---	CHECKED BY DATE	molex			
		1 PLACE ± 0.30 ± ---	APPROVED BY DATE	DOCUMENT NO.			
		0 PLACE ± ±	JCOMERCI 2010/10/22	SD-45802-0002			
			MATERIAL NO.	SHEET NO.			
			SEE TABLE	3 OF 3			
			SIZE B	THIS DRAWING CONTAINS INFORMATION THAT IS PROPRIETARY TO MOLEX INCORPORATED AND SHOULD NOT BE USED WITHOUT WRITTEN PERMISSION			