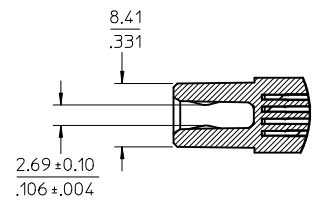
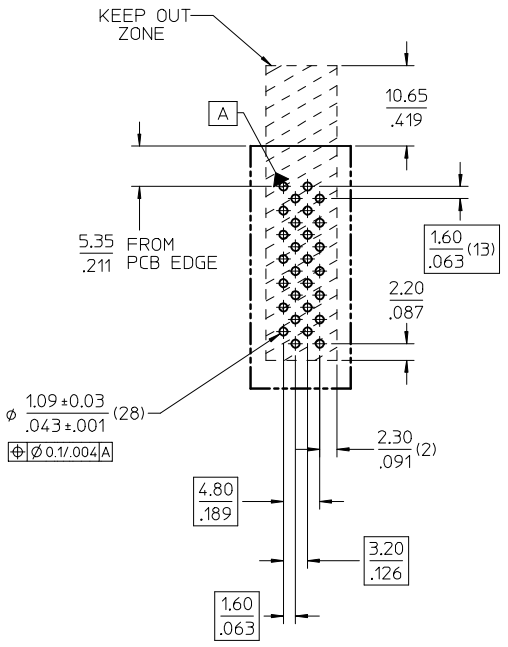
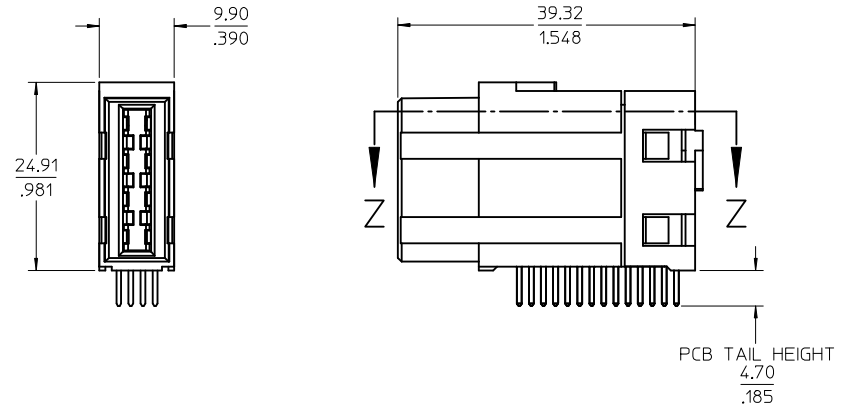
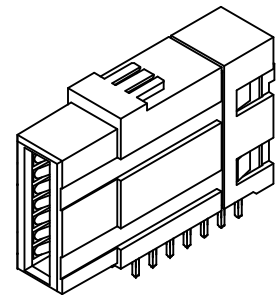


ASSEMBLY MATERIAL NUMBER	DESCRIPTION
45841-5000	POWER RECEPTACLE MODULE - 150 AMP

- NOTES:
- MATERIALS:
 - HOUSING: 30% GLASS FILLED, LCP 94V-0, COLOR: BLACK.
 - TERMINALS: COPPER ALLOY.
 - PLATING: PER ES-88-228
 - 30 μ INCH MIN. SELECT HARD GOLD IN CONTACT AREA ONLY,
 - 100 μ INCH MIN. SELECT TIN IN TAIL AREA OVER
 - 50 μ INCH MIN. NICKEL OVERALL.
 - LUBRICATION: EB1 IN CONTACT AREA.
 - REFERENCE DOCUMENT: PS-75431-999.
 - (A2)** RECEPTACLE MATES WITH PLUG ASSEMBLIES: 75556-5000 & 75556-5100.
 - MODULE ASSEMBLY IS RoHS COMPLIANT.
 - MODULES TO BE UL & CSA LISTED PER UL-1977.
 - RECOMMENDED PCB THICKNESS 2.36/.093 MIN.
 - FINAL ASSEMBLY TO BE PACKAGED AND LABELED PER PACKAGING KIT DRAWING NUMBER PK-45841-500



PARTIAL SECTION Z-Z
SCALE 2:1



REQUIRED PCB LAYOUT
SCALE 2:1

REV NOTE EC NO: UCP2008-1004 2007/11/01 DRWN: 00/ILES 2007/11/01 CHKD: 2007/11/01 APPR: APATEL 2007/11/07 REV: A2	QUALITY SYMBOLS ▽=0 ▽=0 ▽=0	GENERAL TOLERANCES (UNLESS SPECIFIED) <table border="1"> <thead> <tr> <th></th> <th>mm</th> <th>INCH</th> </tr> </thead> <tbody> <tr> <td>4 PLACES</td> <td>± ---</td> <td>± ---</td> </tr> <tr> <td>3 PLACES</td> <td>± ---</td> <td>± .010</td> </tr> <tr> <td>2 PLACES</td> <td>± 0.25</td> <td>± .010</td> </tr> <tr> <td>1 PLACE</td> <td>± 0.25</td> <td>± ---</td> </tr> </tbody> </table>		mm	INCH	4 PLACES	± ---	± ---	3 PLACES	± ---	± .010	2 PLACES	± 0.25	± .010	1 PLACE	± 0.25	± ---	DIMENSION STYLE MM/IN DRAWN BY: BKOSTIC DATE: 2006/08/15 CHECKED BY: BKOSTIC DATE: 2006/08/15 APPROVED BY: APATEL DATE: 2006/08/15 MATERIAL NO. SEE CHART	SCALE: 2:1 DESIGN UNITS: METRIC THIRD ANGLE PROJECTION	TITLE: POWER RECEPTACLE MODULE COPLANAR SYS, 150A POWER DOCK SR.
		mm	INCH																	
	4 PLACES	± ---	± ---																	
	3 PLACES	± ---	± .010																	
2 PLACES	± 0.25	± .010																		
1 PLACE	± 0.25	± ---																		
DRAFT WHERE APPLICABLE MUST REMAIN WITHIN DIMENSIONS		MOLEX INCORPORATED DOCUMENT NO. SD-45841-100	SHEET NO. 1 OF 1																	
THIS DRAWING CONTAINS INFORMATION THAT IS PROPRIETARY TO MOLEX INCORPORATED AND SHOULD NOT BE USED WITHOUT WRITTEN PERMISSION																				