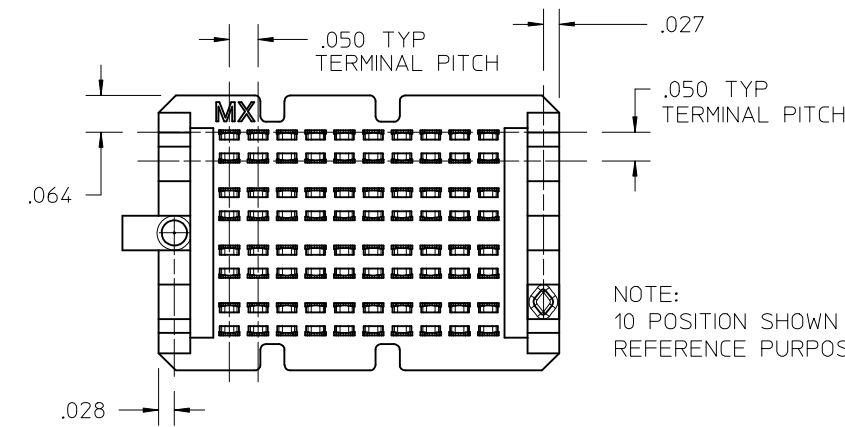
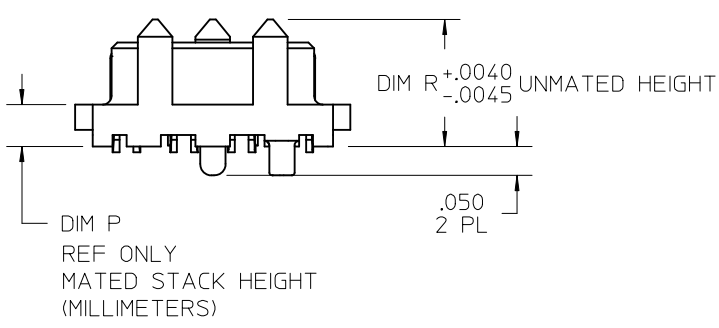
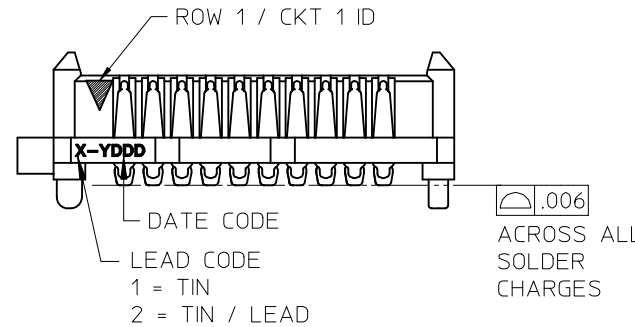
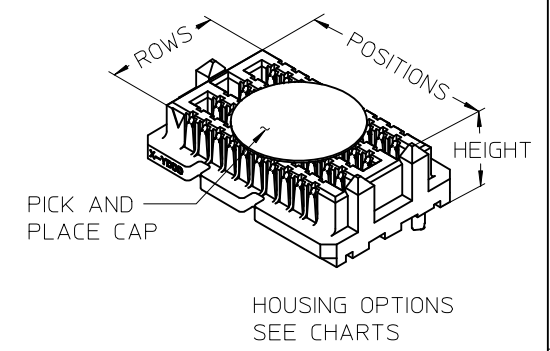


- NOTES:
- MATERIAL: HOUSING: LCP, UL94V-0, BLACK
CONTACTS: COPPER ALLOY
SOLDER CHARGE: TIN, 95.5/ Ag 3.8/ Cu 0.7
 - FINISH: SELECT GOLD IN CONTACT AREA: 30 MICROINCHES MINIMUM
SELECT GOLD FLASH IN TAIL, 7 MICROINCHES MINIMUM OVER NICKEL
 - PRODUCT SPECIFICATION: PS-45970-001
 - PACKAGING SPECIFICATION: TAPE AND REEL PACK. REFERENCE RPK-45971-009
 - MATES WITH SEARAY RECEPTACLE ASSY 45971
 - APPLICATION SPECIFICATION: AS-45970-001
 - COSMETIC SPECIFICATION: PS-45499-002 CLASS B
 - PART STATUS: CONTACT MOLEX



NO OF ROWS	8
POSITIONS	40
DIM C	.478
DIM E	.175
DIM G	2.196
DIM P	2.0 MM
DIM R	.221

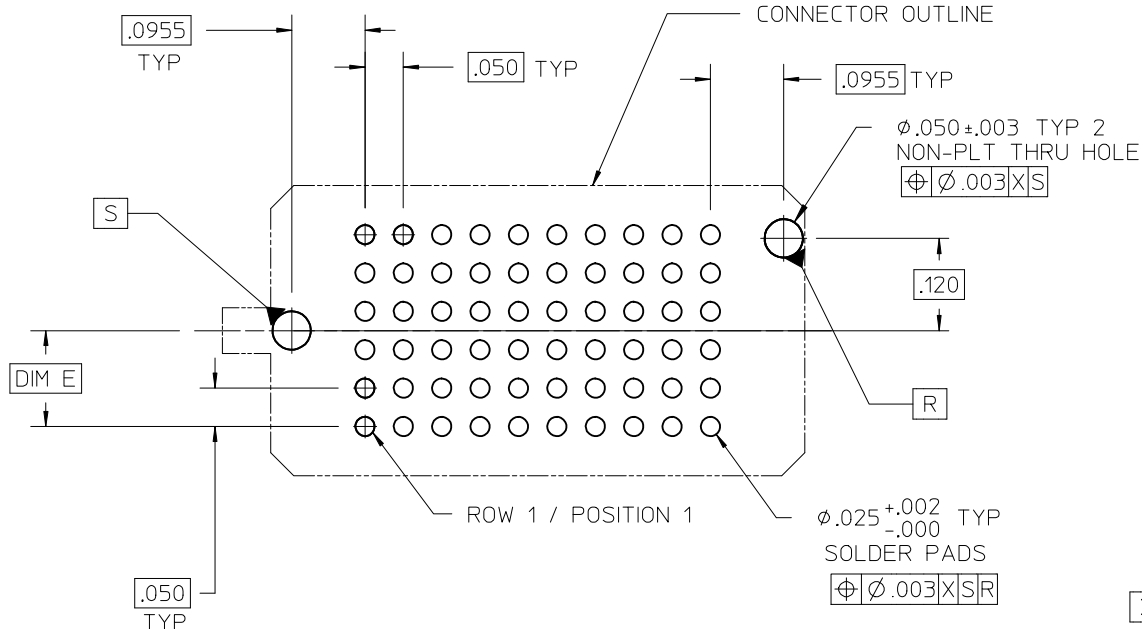


REV. NOTE 4 TO REF. RPK-45970-009	QUALITY SYMBOLS
EC NO: UCP2015-3314	$\nabla E = 0$
DRWN: SVANG01 2015/08/12	$\nabla E = 0$
CHKD: BBARKER 2015/08/12	$\nabla E = 0$
APPR: SMILLER 2015/08/14	
DESCRIPTION	
REV B	

GENERAL TOLERANCES (UNLESS SPECIFIED)		
	mm	
	INCH	
4 PLACES	± .004	± .001
3 PLACES	± .005	± .010
2 PLACES	± .006	± .015
1 PLACE	± .007	± .020
0 PLACE	± .008	± .030
ANGULAR ± .005°		
DRAFT WHERE APPLICABLE MUST REMAIN WITHIN DIMENSIONS		

DIMENSION STYLE INCH ONLY	
DRAWN BY	DATE
RWHIPPLE	2014/04/18
CHECKED BY	DATE
BBARKER	2014/04/18
APPROVED BY	DATE
SMILLER	2014/05/22
MATERIAL NO.	45970-4130
SIZE	A

SCALE 3:1	DESIGN UNITS INCH	THIRD ANGLE PROJECTION
TITLE		
SEARAY PLUG ASSEMBLY .050 CENTERS		
molex		
DOCUMENT NO. RSD-45970-4130	SHEET NO. 1 OF 2	
THIS DRAWING CONTAINS INFORMATION THAT IS PROPRIETARY TO MOLEX INCORPORATED AND SHOULD NOT BE USED WITHOUT WRITTEN PERMISSION		

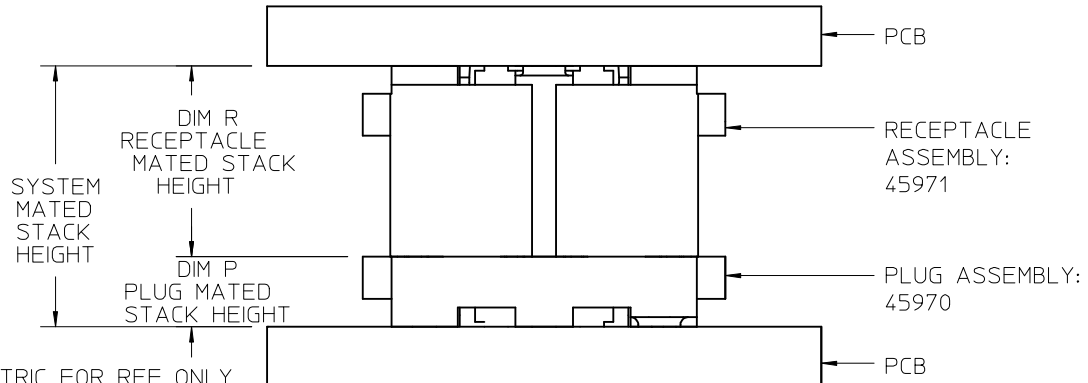


∇F
 .005 MIN
 SOLDER PASTE
 THICKNESS

RECOMMENDED PCB LAYOUT: COMPONENT SIDE
 SOLDER SCREEN APERTURE SIZE: .035 ∇F
 PCB THICKNESS: NA

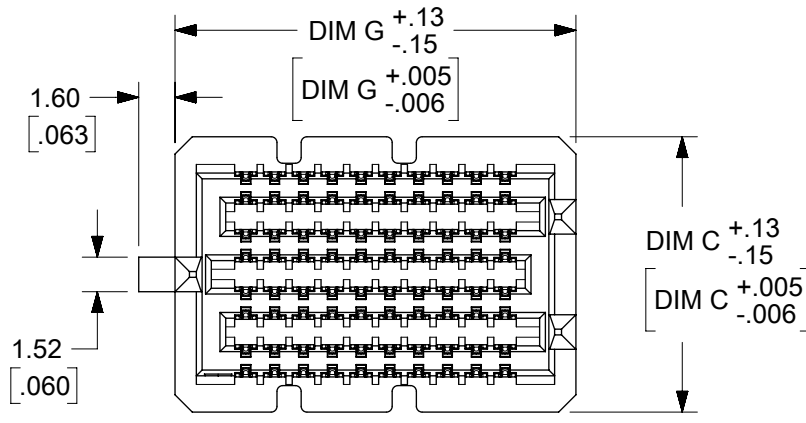
		DIM R RECEPTACLE STACK HEIGHT					
		MM	5.0	6.0	6.5	7.5	8.0
DIM P PLUG STACK HEIGHT	2.0	7.0	8.0	8.5	9.5	10.0	

MATED STACK HEIGHTS
 (MILLIMETERS) REF

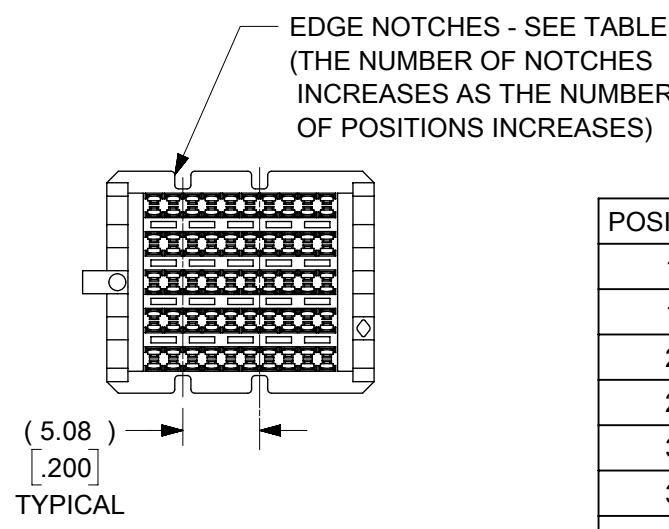
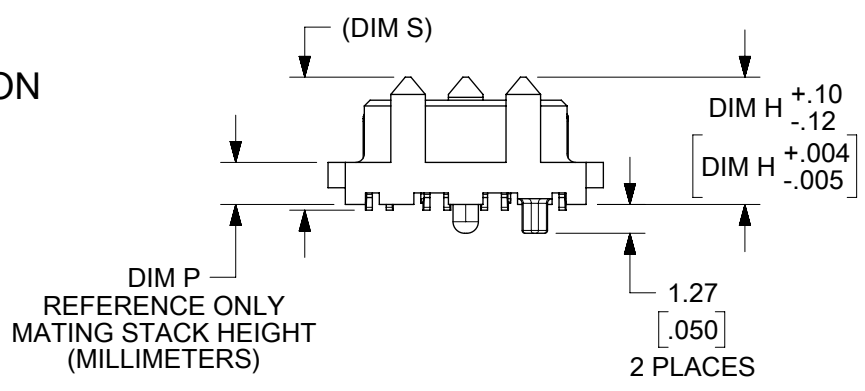
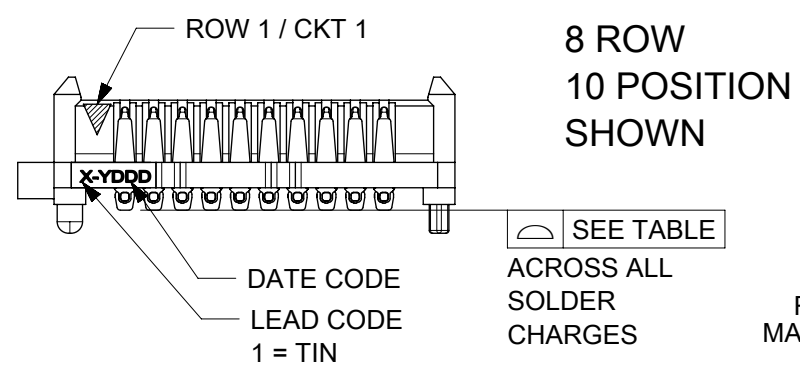


STACK HEIGHTS GIVEN IN METRIC FOR REF ONLY

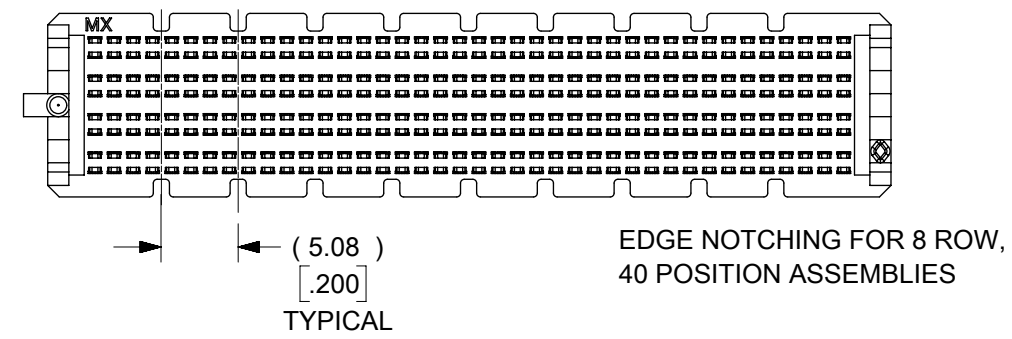
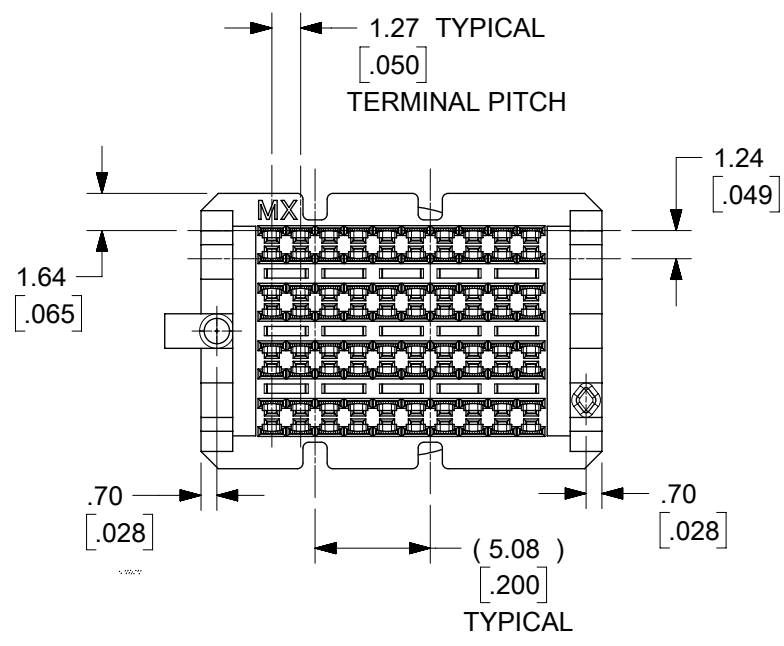
SEE SHEET 1 EC NO: UCP2015-3314 DRWN: SVANG01 2015/08/12 CH'KD: BBARKER 2015/08/12 APPR: SMILLER 2015/08/14	DESCRIPTION B	REV	QUALITY SYMBOLS $\nabla F = 0$ $\nabla E = 0$ $\nabla G = 0$	GENERAL TOLERANCES (UNLESS SPECIFIED)		DIMENSION STYLE INCH ONLY		SCALE 4:1	DESIGN UNITS INCH	\odot \square THIRD ANGLE PROJECTION	
					mm	INCH	DRAWN BY RWHIPPLE	DATE 2014/04/18	TITLE SEARAY PLUG ASSEMBLY .050 CENTERS molex		
				4 PLACES	\pm ---	\pm ---	CHECKED BY BBARKER	DATE 2014/04/18			
				3 PLACES	\pm ---	\pm .010	APPROVED BY SMILLER	DATE 2014/05/22			
				2 PLACES	\pm ---	\pm .015	MATERIAL NO. SEE SHEET 1	DOCUMENT NO. RSD-45970-4130			SHEET NO. 2 OF 2
1 PLACE	\pm ---	\pm ---	DRAFT WHERE APPLICABLE MUST REMAIN WITHIN DIMENSIONS		THIS DRAWING CONTAINS INFORMATION THAT IS PROPRIETARY TO MOLEX INCORPORATED AND SHOULD NOT BE USED WITHOUT WRITTEN PERMISSION						
0 PLACE	\pm	\pm	ANGULAR \pm ---°								



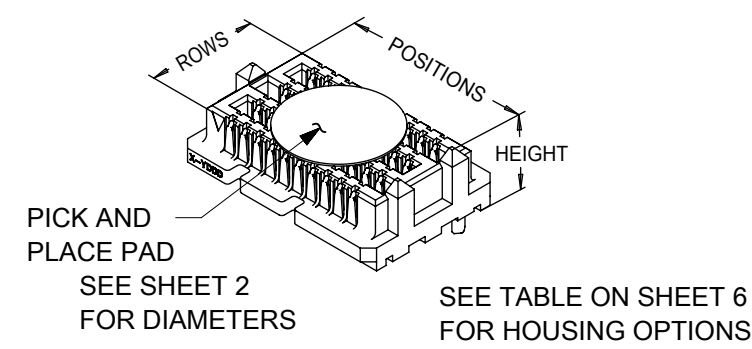
- NOTES:
1. MATERIAL: HOUSING: GLASS FILLED LCP (LIQUID CRYSTAL POLYMER), UL94V-0, BLACK
CONTACTS: COPPER ALLOY
SOLDER CHARGE: 95.5% TIN, 3.8% SILVER, 0.7% COPPER
 2. FINISH: ALL DIM P HEIGHT OPTIONS - SELECT GOLD IN CONTACT AREA: 30 MICROINCH MINIMUM
DIM P HEIGHT OPTIONS 2.0 & 2.5: SELECT GOLD FLASH ON TAIL, 7 MICROINCH MINIMUM
DIM P HEIGHT OPTIONS 3.0 THRU 7.0: SELECT TIN ON TAIL, 50 MICROINCH MINIMUM
ALL OPTIONS - NICKEL UNDERPLATE OVERALL ON TAIL
 3. PRODUCT SPECIFICATION: PS-45970-001
 4. PACKAGING SPECIFICATION: PK-45970-002 (TAPE AND REEL)
 5. MATES WITH SEARAY RECEPTACLE ASSEMBLY SERIES 45971
 6. APPLICATION SPECIFICATION; AS-45970-001
 7. COSMETIC SPECIFICATION: PS-45499-002 CLASS B
 8. PART STATUS: CONTACT MOLEX



POSITIONS	TOTAL NUMBER OF EDGE NOTCHES		Symbol
	8 ROW	6 AND 10 ROW	
10	4	4	0.15/.006
15	6	6	
20	10	10	
25	12	12	
30	14	14	
35	16	16	
40	18	20	0.23/.009
45	22	22	
50	24	24	

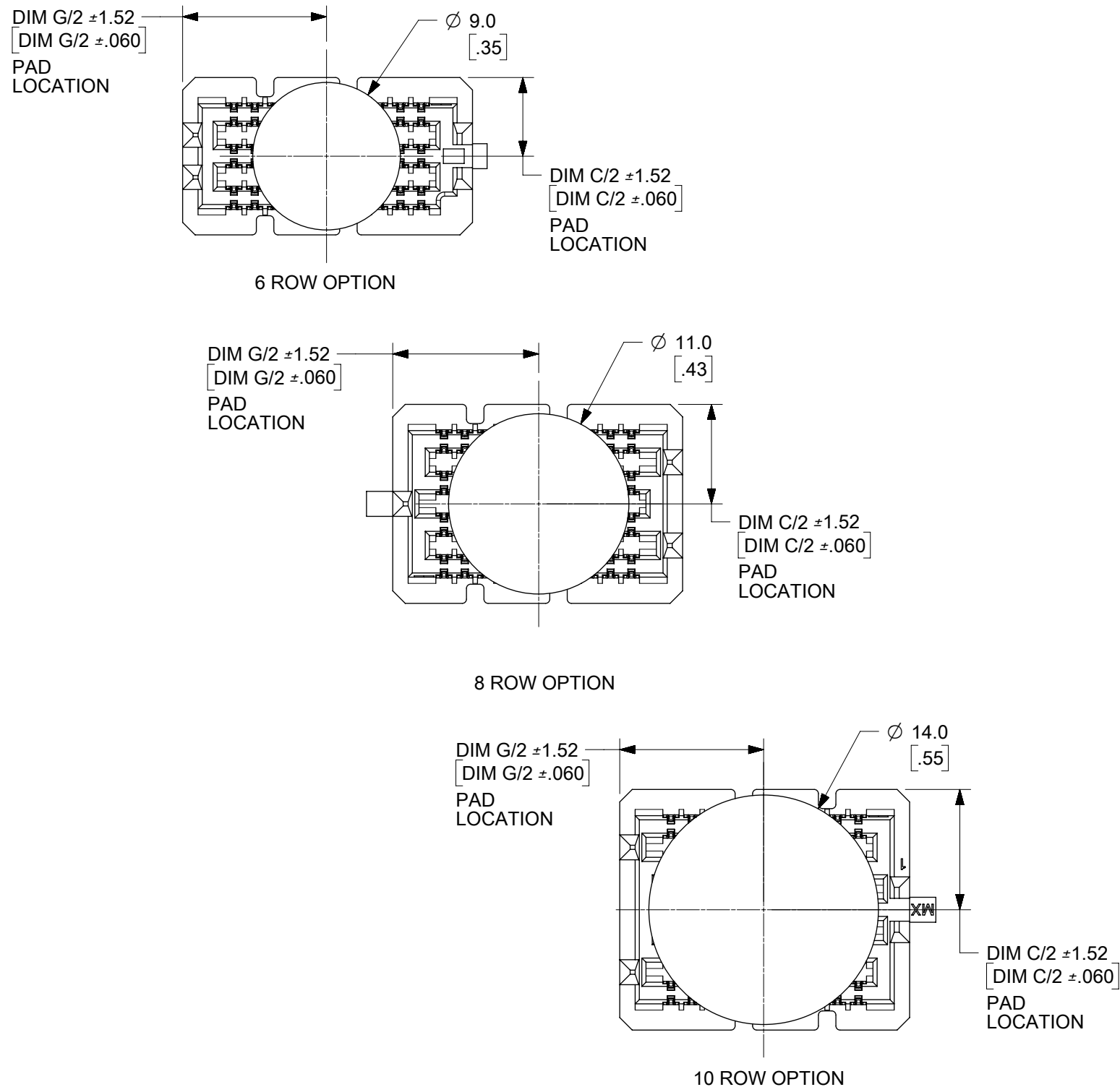


EDGE NOTCHING FOR 10 ROW ASSEMBLIES (10 POSITION SHOWN)

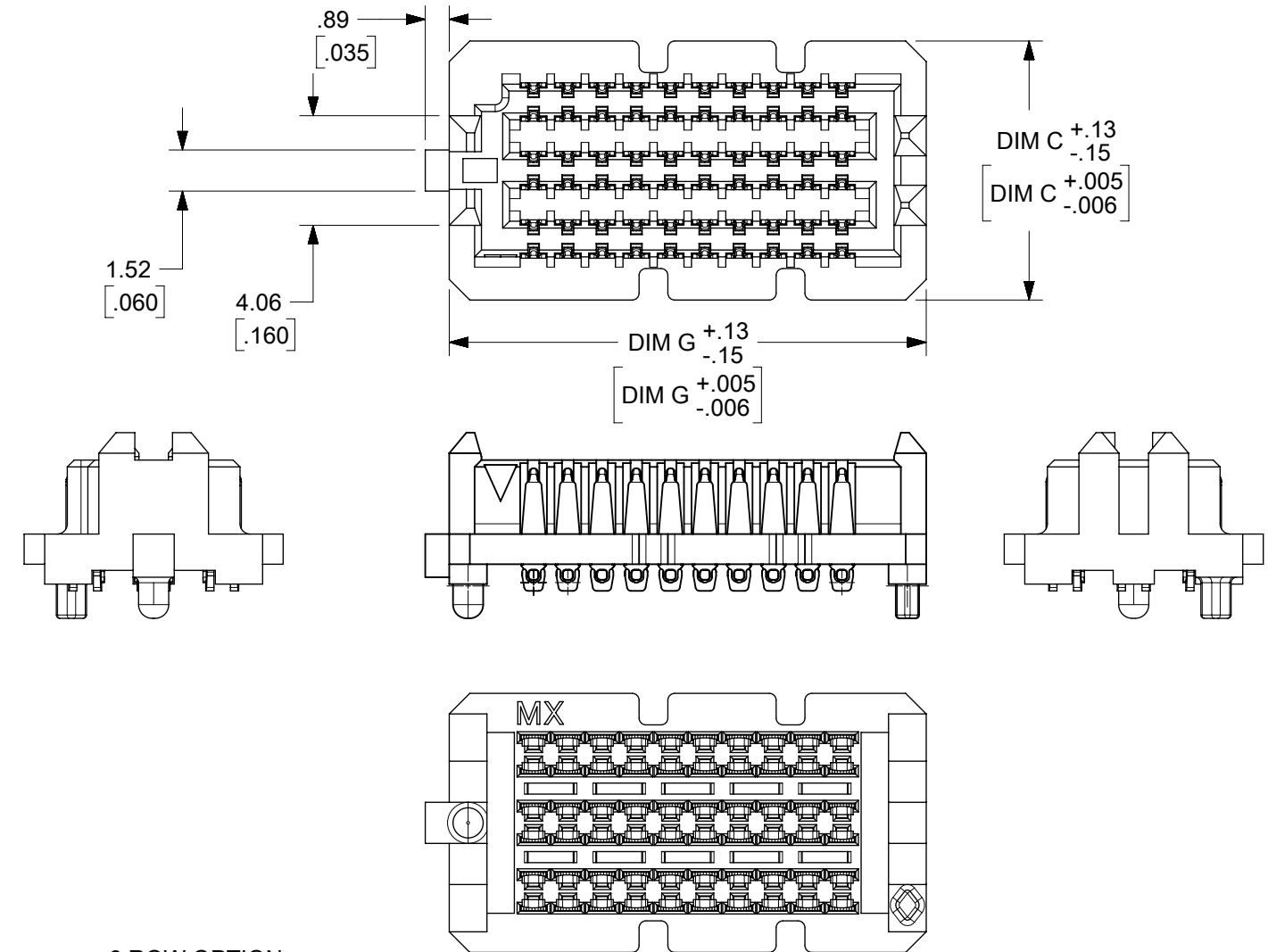


SEE OTHER EDGE NOTCHING VIEWS
SEE SHEET 3
FOR 6 ROW OPTION

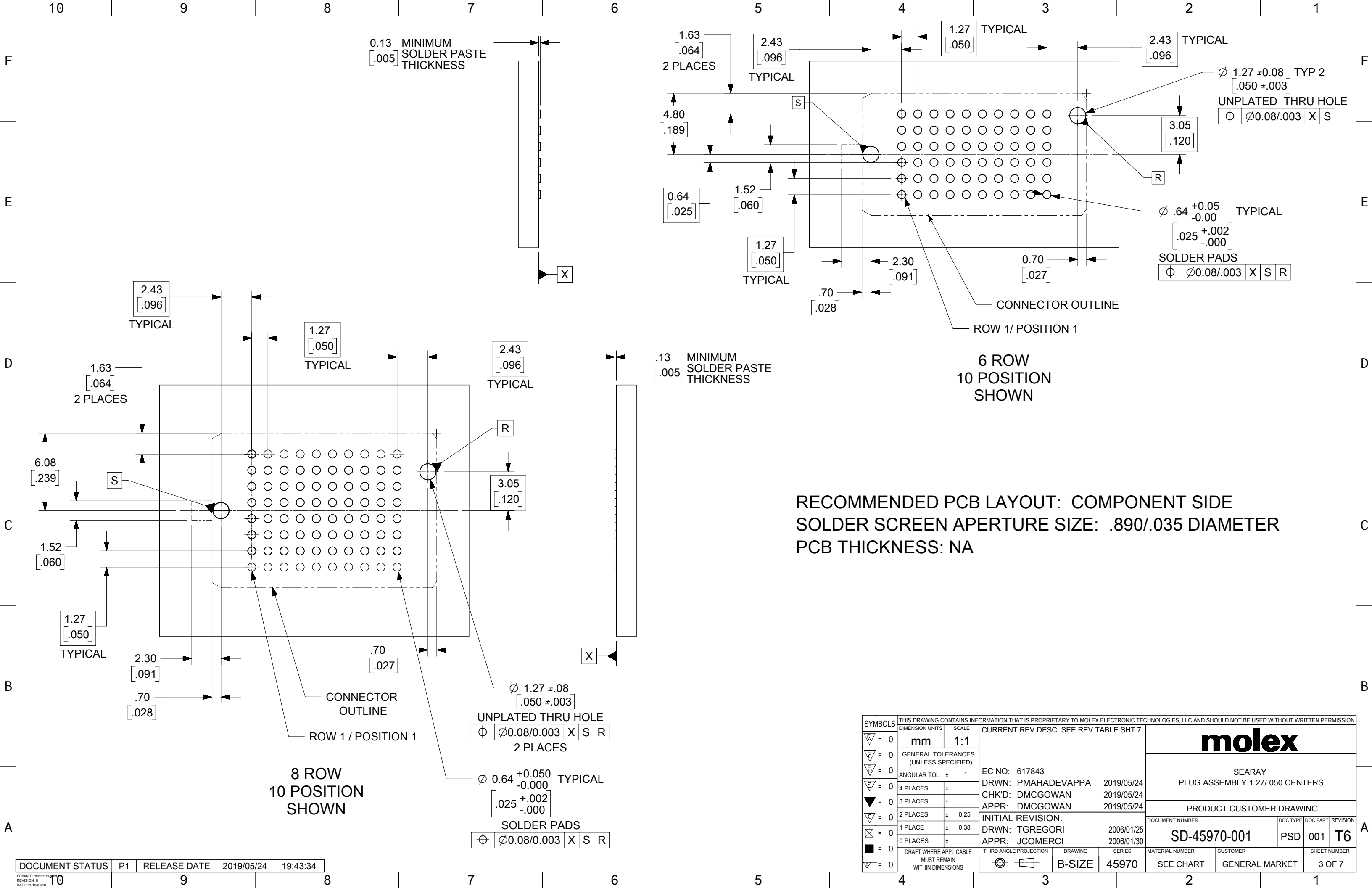
THIS DRAWING CONTAINS INFORMATION THAT IS PROPRIETARY TO MOLEX ELECTRONIC TECHNOLOGIES, LLC AND SHOULD NOT BE USED WITHOUT WRITTEN PERMISSION									
SYMBOLS		DIMENSION UNITS	SCALE	CURRENT REV DESC: SEE REV TABLE SHT 7					
▽ = 0		mm	4:1	molex SEARAY PLUG ASSEMBLY 1.27/.050 CENTERS PRODUCT CUSTOMER DRAWING					
▽ = 0		GENERAL TOLERANCES (UNLESS SPECIFIED)							
▽ = 0		ANGULAR TOL ± °							
▽ = 0		4 PLACES ±							
▽ = 0		3 PLACES ±							
▽ = 0		2 PLACES ± 0.25		EC NO: 617843		DRWN: PMAHADEVAPPA 2019/05/24		CHK'D: DMCGOWAN 2019/05/24	
▽ = 0		1 PLACE ± 0.38		APPR: DMCGOWAN 2019/05/24		INITIAL REVISION:		DOCUMENT NUMBER	
▽ = 0		0 PLACES ±		DRWN: TGREGORI 2006/01/25		APPR: JCOMERCI 2006/01/30		SD-45970-001	
■ = 0		DRAFT WHERE APPLICABLE MUST REMAIN WITHIN DIMENSIONS		THIRD ANGLE PROJECTION		DRAWING		SERIES	
▽ = 0				B-SIZE		45970		MATERIAL NUMBER	
				SEE CHART		CUSTOMER		REVISION	
				GENERAL MARKET		1 OF 7		T6	



PICK AND PLACE
 PAD DIAMETERS
 10 POSITION VERSIONS SHOWN

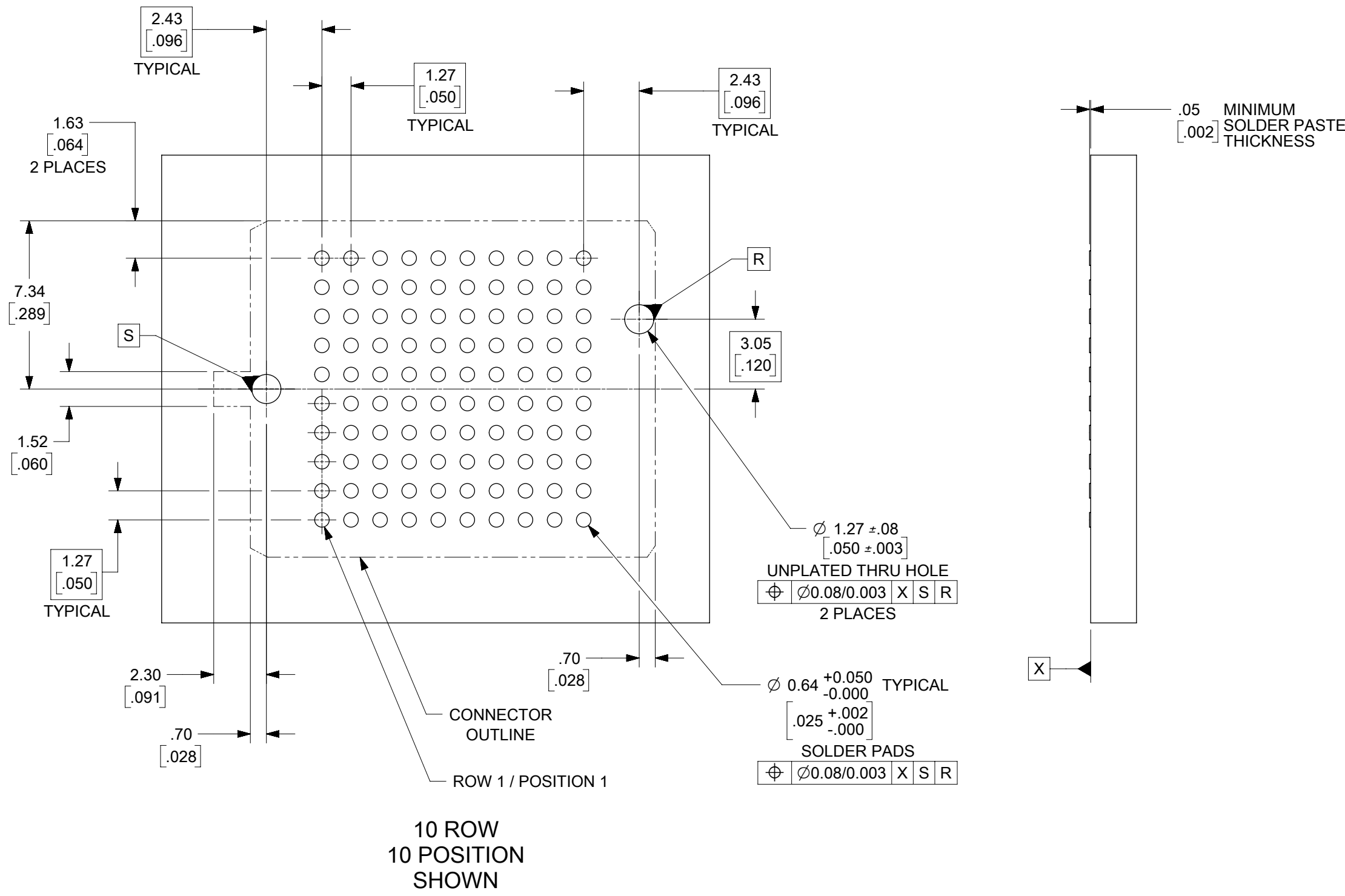


THIS DRAWING CONTAINS INFORMATION THAT IS PROPRIETARY TO MOLEX ELECTRONIC TECHNOLOGIES, LLC AND SHOULD NOT BE USED WITHOUT WRITTEN PERMISSION											
SYMBOLS		DIMENSION UNITS		SCALE		CURRENT REV DESC: SEE REV TABLE SHT 7					
▽ = 0		mm		2:1		EC NO: 617843 DRWN: PMAHADEVAPPA 2019/05/24 CHK'D: DMCGOWAN 2019/05/24 APPR: DMCGOWAN 2019/05/24 INITIAL REVISION: DRWN: TGREGORI 2006/01/25 APPR: JCOMERCI 2006/01/30					
▽ = 0		GENERAL TOLERANCES (UNLESS SPECIFIED)									
▽ = 0		ANGULAR TOL ± °									
▽ = 0		4 PLACES ±									
▽ = 0		3 PLACES ±									
▽ = 0		2 PLACES ± 0.25				PRODUCT CUSTOMER DRAWING DOCUMENT NUMBER: SD-45970-001 DOC TYPE: PSD DOC PART: 001 REVISION: T6					
▽ = 0		1 PLACE ± 0.38									
▽ = 0		0 PLACES ±									
▽ = 0		DRAFT WHERE APPLICABLE MUST REMAIN WITHIN DIMENSIONS				THIRD ANGLE PROJECTION		DRAWING		SERIES	
▽ = 0				B-SIZE		45970		MATERIAL NUMBER		CUSTOMER	
		SEE CHART		GENERAL MARKET		SHEET NUMBER		2 OF 7			



THIS DRAWING CONTAINS INFORMATION THAT IS PROPRIETARY TO MOLEX ELECTRONIC TECHNOLOGIES, LLC AND SHOULD NOT BE USED WITHOUT WRITTEN PERMISSION									
SYMBOLS		DIMENSION UNITS	SCALE	CURRENT REV DESC: SEE REV TABLE SHT 7					
▽ = 0	▽ = 0	mm	1:1	molex SEARAY PLUG ASSEMBLY 1.27/.050 CENTERS PRODUCT CUSTOMER DRAWING EC NO: 617843 DRWN: PMAHADEVAPPA 2019/05/24 CHK'D: DMCGOWAN 2019/05/24 APPR: DMCGOWAN 2019/05/24 INITIAL REVISION: DRWN: TGREGORI 2006/01/25 APPR: JCOMERCI 2006/01/30					
▽ = 0	▽ = 0	GENERAL TOLERANCES (UNLESS SPECIFIED)							
▽ = 0	▽ = 0	ANGULAR TOL ± °							
▽ = 0	▽ = 0	4 PLACES ±							
▽ = 0	▽ = 0	3 PLACES ±							
▽ = 0	▽ = 0	2 PLACES ± 0.25		DOCUMENT NUMBER					
▽ = 0	▽ = 0	1 PLACE ± 0.38		SD-45970-001			DOC TYPE	DOC PART	REVISION
▽ = 0	▽ = 0	0 PLACES ±		SEE CHART			PSD	001	T6
▽ = 0	▽ = 0	DRAFT WHERE APPLICABLE MUST REMAIN WITHIN DIMENSIONS		THIRD ANGLE PROJECTION	DRAWING	SERIES	MATERIAL NUMBER	CUSTOMER	SHEET NUMBER
▽ = 0	▽ = 0			⊕	B-SIZE	45970	GENERAL MARKET		3 OF 7

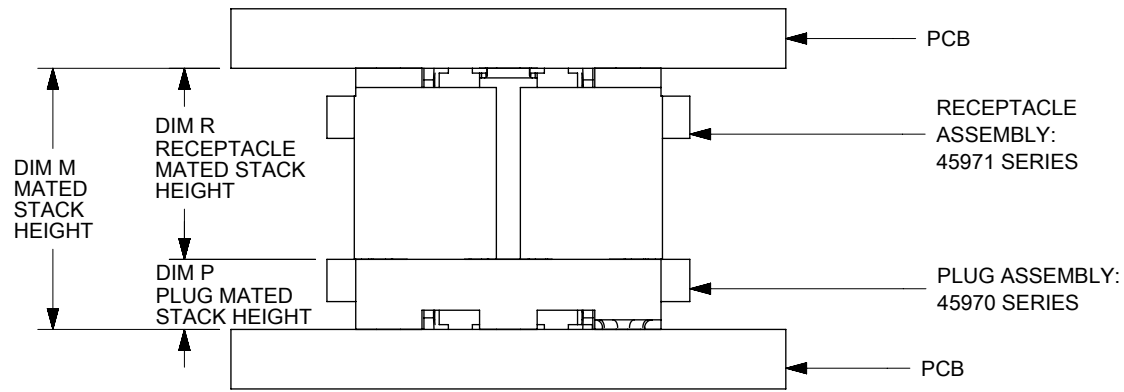
RECOMMENDED PCB LAYOUT: COMPONENT SIDE
 SOLDER SCREEN APERTURE SIZE: .890/.035 DIAMETER
 PCB THICKNESS: NA



10 ROW
 10 POSITION
 SHOWN

THIS DRAWING CONTAINS INFORMATION THAT IS PROPRIETARY TO MOLEX ELECTRONIC TECHNOLOGIES, LLC AND SHOULD NOT BE USED WITHOUT WRITTEN PERMISSION									
SYMBOLS		DIMENSION UNITS		SCALE		CURRENT REV DESC: SEE REV TABLE SHT 7			
▽ = 0	mm	5:1		EC NO: 617843					
▽ = 0	GENERAL TOLERANCES (UNLESS SPECIFIED)			DRWN: PMAHADEVAPPA 2019/05/24					
▽ = 0	ANGULAR TOL ± °			CHK'D: DMCGOWAN 2019/05/24					
▽ = 0	4 PLACES ±			APPR: DMCGOWAN 2019/05/24					
▽ = 0	3 PLACES ±			INITIAL REVISION:					
▽ = 0	2 PLACES ± 0.25			DRWN: TGREGORI 2006/01/25		MATERIAL NUMBER		CUSTOMER	
▽ = 0	1 PLACE ± 0.38			APPR: JCOMERCI 2006/01/30		SD-45970-001		PSD 001 T6	
▽ = 0	0 PLACES ±			DRAFT WHERE APPLICABLE MUST REMAIN WITHIN DIMENSIONS		SEE CHART		GENERAL MARKET	
▽ = 0	THIRD ANGLE PROJECTION		DRAWING		SERIES		SHEET NUMBER		
▽ = 0	B-SIZE		45970		4 OF 7				

DOCUMENT STATUS	P1	RELEASE DATE	2019/05/24	19:43:34
-----------------	----	--------------	------------	----------



STACK HEIGHTS
GIVEN IN MILLIMETERS (MM) FOR REFERENCE ONLY

ROWS: 6 DIMENSION C = 9.60/.378

DIM P:	2.0 mm	3.0 mm	3.5 mm	2.5 mm	4.5 mm	5.0 mm	7.0 mm
DIM H:	5.61/.221	6.60/.260	7.11/.280	6.12/.241	8.10/.319	8.61/.339	10.61/.418
DIM S:	5.86/.231	6.85/.270	7.36/.290	6.37/.251	8.35/.329	8.86/.349	10.86/.428
POSITION	DIM G	MATERIAL NO	MATERIAL NO	MATERIAL NO	MATERIAL NO	MATERIAL NO	MATERIAL NO
10	17.69/0.698	45970-1165	45970-1265	45970-1365	45970-1465	45970-1565	45970-1765
20	30.39/1.198	45970-2165	45970-2265	45970-2365	45970-2465	45970-2565	45970-2765
30	43.09/1.698	45970-3165	45970-3265	45970-3365	45970-3465	45970-3565	45970-3765
40	55.79/2.198	45970-4165	45970-4265	45970-4365	45970-4465	45970-4565	45970-4765
50	68.49/2.698	45970-5165	45970-5265	45970-5365	45970-5465	45970-5565	45970-5765
15	24.04/0.948	45970-6165	45970-6265	45970-6365	45970-6465	45970-6565	45970-6765
25	36.74/1.448	45970-7165	45970-7265	45970-7365	45970-7465	45970-7565	45970-7765
35	49.44/1.948	45970-8165	45970-8265	45970-8365	45970-8465	45970-8565	45970-8765
45	62.14/2.448	45970-9165	45970-9265	45970-9365	45970-9465	45970-9565	45970-9765

MATING STACK HEIGHTS (DIMENSION P)
GIVEN IN MILLIMETERS (mm) FOR REFERENCE ONLY

		DIM R RECEPTACLE STACK HEIGHT									
		5.0		6.0		6.5		7.5		8.0	
DIM P PLUG STACK HEIGHT	mm	DIM M FULLY MATED	DIM M MAX	DIM M FULLY MATED	DIM M MAX	DIM M FULLY MATED	DIM M MAX	DIM M FULLY MATED	DIM M MAX	DIM M FULLY MATED	DIM M MAX
	2.0	7.00	7.74	8.00	8.74	8.50	9.24	9.50	10.24	10.00	10.74
	2.5	7.50	8.24	8.50	9.24	9.00	9.74	10.00	10.74	10.50	11.24
	3.0	8.00	8.74	9.00	9.74	9.50	10.24	10.50	11.24	11.00	11.74
	3.5	8.50	9.24	9.50	10.24	10.00	10.74	11.00	11.74	11.50	12.24
	4.5	9.50	10.24	10.50	11.24	11.00	11.74	12.00	12.74	12.50	13.24
	5.0	10.00	10.74	11.00	11.74	11.50	12.24	12.50	13.24	13.00	13.74
	7.0	12.00	12.74	13.00	13.74	13.50	14.24	14.50	15.24	15.00	15.74
	9.0	14.00	14.74	15.00	15.74	15.50	16.24	16.50	17.24	17.00	17.74

MATED STACK HEIGHTS
GIVEN IN MILLIMETERS (mm) FOR REFERENCE ONLY

SYMBOLS	THIS DRAWING CONTAINS INFORMATION THAT IS PROPRIETARY TO MOLEX ELECTRONIC TECHNOLOGIES, LLC AND SHOULD NOT BE USED WITHOUT WRITTEN PERMISSION		
	DIMENSION UNITS	SCALE	CURRENT REV DESC: SEE REV TABLE SHT 7
	= 0	mm	1:1
	= 0	GENERAL TOLERANCES (UNLESS SPECIFIED)	
	= 0	ANGULAR TOL ± °	
	= 0	4 PLACES ±	
	= 0	3 PLACES ±	
	= 0	2 PLACES ± 0.25	
	= 0	1 PLACE ± 0.38	
	= 0	0 PLACES ±	
= 0	DRAFT WHERE APPLICABLE MUST REMAIN WITHIN DIMENSIONS		
THIRD ANGLE PROJECTION		DRAWING	SERIES
		B-SIZE	45970
EC NO: 617843		DRWN: PMAHADEVAPPA	2019/05/24
DRWN: TCGREGORI		CHK'D: DMCGOWAN	2019/05/24
APPR: DMCGOWAN		APPR: DMCGOWAN	2019/05/24
INITIAL REVISION:		DRWN: TGREGORI	2006/01/25
APPR: JCOMERCI		APPR: JCOMERCI	2006/01/30
DOCUMENT NUMBER		DOC TYPE	DOC PART
SD-45970-001		PSD	001
REVISION		T6	
MATERIAL NUMBER		CUSTOMER	SHEET NUMBER
SEE CHART		GENERAL MARKET	5 OF 7

ROWS: 8 DIMENSION C = 12.14/.478

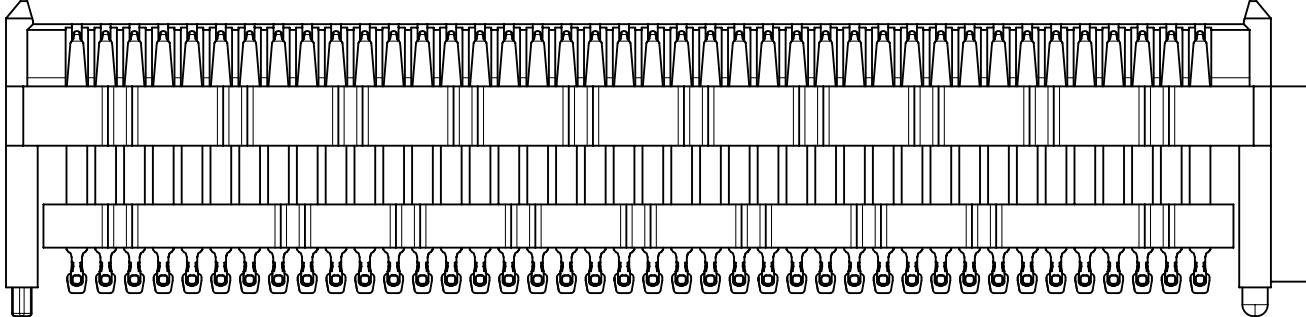
DIM P:	2.0 mm	3.0 mm	3.5 mm	2.5 mm	4.5 mm	5.0 mm	7.0 mm
DIM H:	5.61/.221	6.60/.260	7.11/.280	6.12/.241	8.10/.319	8.61/.339	10.61/.418
DIM S:	5.86/.231	6.85/.270	7.36/.290	6.37/.251	8.35/.329	8.86/.349	10.86/.428
POSITION	DIM G	MATERIAL NO	MATERIAL NO	MATERIAL NO	MATERIAL NO	MATERIAL NO	MATERIAL NO
10	17.69/0.698	45970-1185	45970-1285	45970-1385	45970-1485	45970-1585	45970-1685
20	30.39/1.198	45970-2185	45970-2285	45970-2385	45970-2485	45970-2585	45970-2685
30	43.09/1.698	45970-3185	45970-3285	45970-3385	45970-3485	45970-3585	45970-3685
40	55.79/2.198	45970-4185	45970-4285	45970-4385	45970-4485	45970-4585	45970-4685
50	68.49/2.698	45970-5185	45970-5285	45970-5385	45970-5485	45970-5585	45970-5685
15	24.04/0.948	45970-6185	45970-6285	45970-6385	45970-6485	45970-6585	45970-6685
25	36.74/1.448	45970-7185	45970-7285	45970-7385	45970-7485	45970-7585	45970-7685
35	49.44/1.948	45970-8185	45970-8285	45970-8385	45970-8485	45970-8585	45970-8685
45	62.14/2.448	45970-9185	45970-9285	45970-9385	45970-9485	45970-9585	45970-9685

ROWS: 10 DIMENSION C = 14.68/.578

DIM P:	2.0 mm	3.0 mm	3.5 mm	2.5 mm	4.5 mm	5.0 mm	7.0 mm	9.0 mm	9.0 mm
DIM H:	5.61/.221	6.60/.260	7.11/.280	6.12/.241	8.10/.319	8.61/.339	10.61/.418	12.62/.497	12.62/.497
DIM S:	5.86/.231	6.85/.270	7.36/.290	6.37/.251	8.35/.329	8.86/.349	10.86/.428	12.87/.507	12.87/.507
POSITION	DIM G	MATERIAL NO	MATERIAL NO	MATERIAL NO	MATERIAL NO	MATERIAL NO	MATERIAL NO	MATERIAL NO	MATERIAL NO
10	17.69/0.698	45970-1115	45970-1215	45970-1315	45970-1415	45970-1515	45970-1615	45970-1715	45970-1915
20	30.39/1.198	45970-2115	45970-2215	45970-2315	45970-2415	45970-2515	45970-2615	45970-2715	45970-2915
30	43.09/1.698	45970-3115	45970-3215	45970-3315	45970-3415	45970-3515	45970-3615	45970-3715	45970-3915
40	55.79/2.198	45970-4115	45970-4215	45970-4315	45970-4415	45970-4515	45970-4615	45970-4715	45970-4915
50	68.49/2.698	45970-5115	45970-5215	45970-5315	45970-5415	45970-5515	45970-5615	45970-5715	45970-5915
15	24.04/0.948	45970-6115	45970-6215	45970-6315	45970-6415	45970-6515	45970-6615	45970-6715	45970-6915
25	36.74/1.448	45970-7115	45970-7215	45970-7315	45970-7415	45970-7515	45970-7615	45970-7715	45970-7915
35	49.44/1.948	45970-8115	45970-8215	45970-8315	45970-8415	45970-8515	45970-8615	45970-8715	45970-8915
45	62.14/2.448	45970-9115	45970-9215	45970-9315	45970-9415	45970-9515	45970-9615	45970-9715	45970-9915

**MATING STACK HEIGHTS (DIMENSION P)
GIVEN IN MILLIMETERS (mm) FOR REFERENCE ONLY**

9.0mm PLUG WITH ALIGNER
45970-4916 SHOWN



SYMBOLS		THIS DRAWING CONTAINS INFORMATION THAT IS PROPRIETARY TO MOLEX ELECTRONIC TECHNOLOGIES, LLC AND SHOULD NOT BE USED WITHOUT WRITTEN PERMISSION	
▽ = 0	DIMENSION UNITS	SCALE	CURRENT REV DESC: SEE REV TABLE SHT 7
▽ = 0	mm	3:1	
▽ = 0	GENERAL TOLERANCES (UNLESS SPECIFIED)		
▽ = 0	ANGULAR TOL	± °	
▽ = 0	4 PLACES	±	EC NO: 617843
▽ = 0	3 PLACES	±	DRWN: PMAHADEVAPPA 2019/05/24
▽ = 0	2 PLACES	± 0.25	CHK'D: DMCGOWAN 2019/05/24
▽ = 0	1 PLACE	± 0.38	APPR: DMCGOWAN 2019/05/24
▽ = 0	0 PLACES	±	INITIAL REVISION:
▽ = 0	DRAFT WHERE APPLICABLE MUST REMAIN WITHIN DIMENSIONS		DRWN: TGREGORI 2006/01/25
▽ = 0	THIRD ANGLE PROJECTION		APPR: JCOMERCI 2006/01/30
	DRAWING		SERIES
	B-SIZE		45970
	MATERIAL NUMBER		CUSTOMER
	SEE CHART		GENERAL MARKET
	DOCUMENT NUMBER		SHEET NUMBER
	SD-45970-001		6 OF 7
	DOC TYPE		DOC PART
	PSD		001
	REVISION		T6

REV	DATE	DESCRIPTION
T3	2017/03/28	MIGRATED TO ECTR / NX
	2017/06/09	ADDED RECOMMENDED PCB LAYOUT FOR 8 ROW ASSEMBLIES ON SHEET 3, UPDATED VIEWS SHEET 1, SHIFTED TABLES TO NEXT SHEETS.
T4	2018/10/03	ADD PAD LOCATION DIMENSIONS ON SHEET 2, UPDATE MATING HEIGHT TABLE ON SHEET 5, ADD VERSIONS WITH ALIGNERS ON SHEET 6
T5	2019/01/15	UPDATE 8 ROW CHART ON SHEET 6
T6	2019/05/20	ADDED RECOMMENDED PCB LAYOUT FOR 10 ROW ASSEMBLIES ON SHEET 4, SHIFTED TABLES TO NEXT SHEETS.

SYMBOLS	THIS DRAWING CONTAINS INFORMATION THAT IS PROPRIETARY TO MOLEX ELECTRONIC TECHNOLOGIES, LLC AND SHOULD NOT BE USED WITHOUT WRITTEN PERMISSION									
	DIMENSION UNITS		SCALE		CURRENT REV DESC: SEE REV TABLE SHT 7					
	mm		1:1		EC NO: 617843 DRWN: PMAHADEVAPPA 2019/05/24 CHK'D: DMCGOWAN 2019/05/24 APPR: DMCGOWAN 2019/05/24					
	GENERAL TOLERANCES (UNLESS SPECIFIED)									
	ANGULAR TOL ± °				INITIAL REVISION: DRWN: TGREGORI 2006/01/25 APPR: JCOMERCI 2006/01/30					
	4 PLACES ±									
	3 PLACES ±				DOCUMENT NUMBER		DOC TYPE	DOC PART	REVISION	
	2 PLACES ± 0.25				SD-45970-001		PSD	001	T6	
	1 PLACE ± 0.38				MATERIAL NUMBER		CUSTOMER		SHEET NUMBER	
	0 PLACES ±				SEE CHART		GENERAL MARKET		7 OF 7	
DRAFT WHERE APPLICABLE MUST REMAIN WITHIN DIMENSIONS		THIRD ANGLE PROJECTION		DRAWING	SERIES					
				B-SIZE	45970					

molex

SEARAY
PLUG ASSEMBLY 1.27/.050 CENTERS

PRODUCT CUSTOMER DRAWING