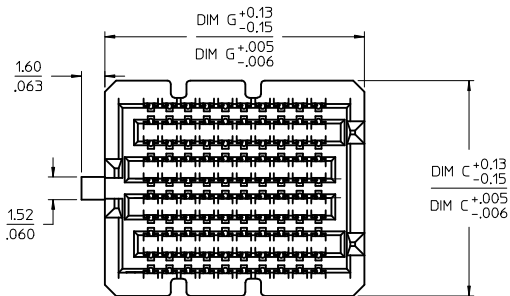


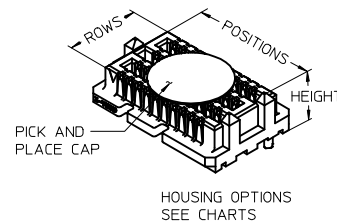
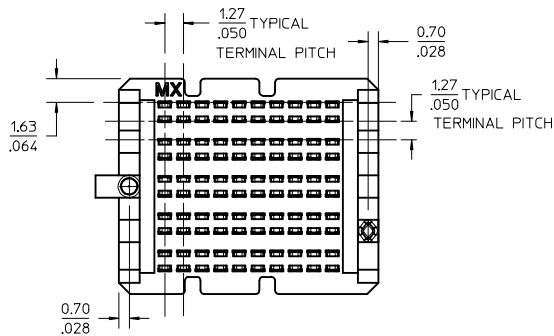
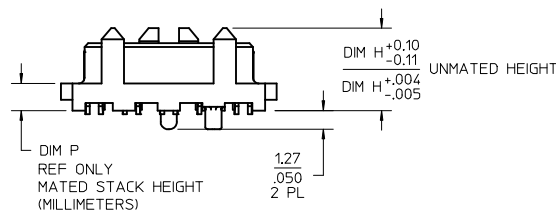
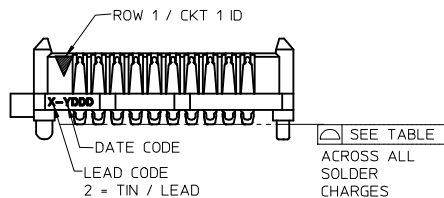
10 9 8 7 6 5 4 3 2 1



NOTES:

- MATERIAL: HOUSING: LCP, GLASS FILLED, UL94V-0, BLACK
CONTACTS: COPPER ALLOY
SOLDER CHARGE: 63% TIN, 37% LEAD
- FINISH: ALL DIM P HEIGHT OPTIONS - SELECT GOLD FLASH IN CONTACT AREA: 30 MI MIN
DIM P HEIGHT OPTIONS 2.0 & 2.5: SELECT GOLD FLASH IN TAIL, 7 MI MIN
DIM P HEIGHT OPTIONS 3.0 THRU 7.0: SELECT TIN IN TAIL, 50 MI MIN
ALL DIM P HEIGHT OPTIONS - NICKEL UNDERPLATE OVERALL
- PRODUCT SPECIFICATION: PS-45970-001
- PACKAGING SPECIFICATION: TRAY PACK PK-45971-001
- MATES WITH SEARAY RECEPTACLE ASSY 45971
- APPLICATION SPECIFICATION: AS-45970-001
- COSMETIC SPECIFICATION: PS-45499-002 CLASS B
- PART STATUS: CONTACT MOLEX

10 ROW
10 POSITION
SHOWN



POSITION	
10	0.15/.006
20	0.15/.006
30	0.15/.006
40	0.15/.006
50	0.15/.006
15	0.15/.006
25	0.15/.006
35	0.23/.009
45	0.23/.009

ROWS: 10			
DIM R: (REF)	3.0 MM	3.5 MM	
DIM H:	6.60/1.260	7.11/1.280	
POSITION	DIM G	MATERIAL NO	MATERIAL NO
20	30.37/1.196	45970-3213	45970-2313
30	43.07/1.696	45970-3213	45970-4313
40	55.77/2.196		

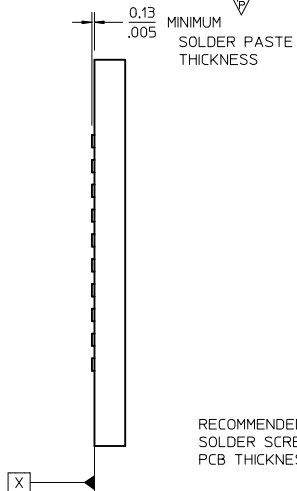
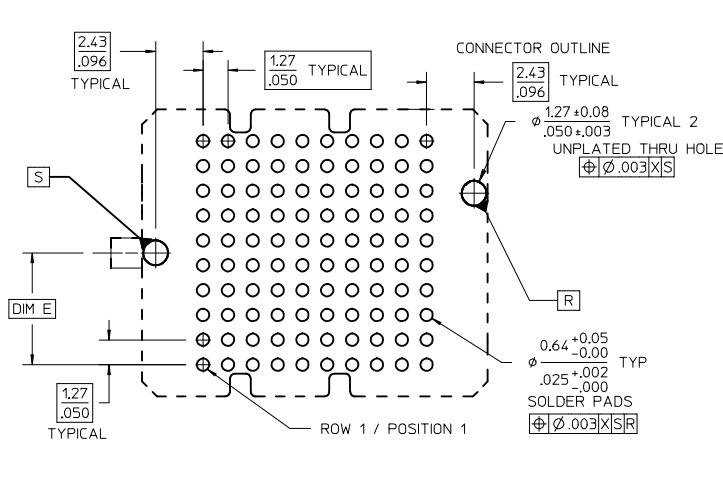
MATED STACK HEIGHTS
GIVEN IN MILLIMETERS (MM) FOR REFERENCE ONLY

INITIAL RELEASE EC NO: UCP2015-1206 DRAWN: RWHIPPLE 2014/10/27 CHKD: DMORGAN 2014/10/25 APPR: SMILLER 2015/01/05	QUALITY SYMBOLS	GENERAL TOLERANCES (UNLESS SPECIFIED)	DIMENSION STYLE MM/IN	SCALE 3:1	DESIGN UNITS INCH	THIRD ANGLE PROJECTION
	$\nabla F=0$ $\nabla E=0$ $\nabla F=0$	4 PLACES ± --- ± ---	DRAWN BY RWHIPPLE	DATE 2014/10/27	SEARAY PLUG ASSEMBLY 1.27/.050 CNTRS TIN/LEAD TRAY PACKAGING 	
		3 PLACES ± --- ± .010	CHECKED BY DMORGAN	DATE 2014/10/25		
		2 PLACES ± 0.25 ± .015	APPROVED BY SMILLER	DATE 2015/01/05		
1 PLACE ± 0.38 ± ---	MATERIAL NO.	DOCUMENT NO.	SHEET NO.			
0 PLACE ± ±	ANGULAR ± --- °	DRAFT WHERE APPLICABLE MUST REMAIN WITHIN DIMENSIONS	SEE TABLE	RSD-45970-003	1 OF 2	
			SIZE B	THIS DRAWING CONTAINS INFORMATION THAT IS PROPRIETARY TO MOLEX INCORPORATED AND SHOULD NOT BE USED WITHOUT WRITTEN PERMISSION		

9 8 7 6 5 4 3 2 1

10 9 8 7 6 5 4 3 2 1

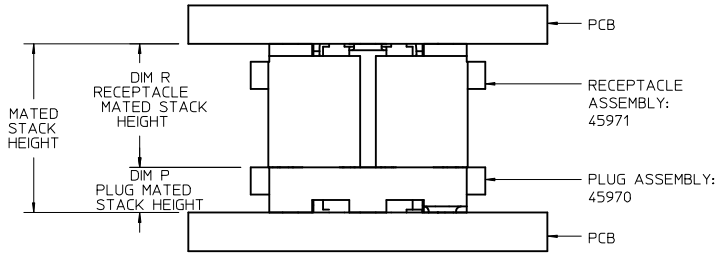
10 ROW
10 POSITION
SHOWN



NO OF ROWS	DIM C	DIM E
6	.960/.378	.317/.125
8	1.21/.478	.444/.175
10	1.47/.578	5.72/.225

		DIM R RECEPTACLE STACK HEIGHT					
		MM	5.0	6.0	6.5	7.5	8.0
DIM P PLUG STACK HEIGHT	2.0	7.0	8.0	8.5	9.5	10.0	
	3.0	8.0	9.0	9.5	10.5	11.0	
	3.5	8.5	9.5	10.0	11.0	11.5	
	2.5	7.5	8.5	9.0	10.0	10.5	
	4.5	9.5	10.5	11.0	12.0	12.5	
	5.0	10.0	11.0	11.5	12.5	13.0	
	7.0	12.0	13.0	13.5	14.5	15.0	
	9.0	14.0	15.0	15.5	16.5	17.0	

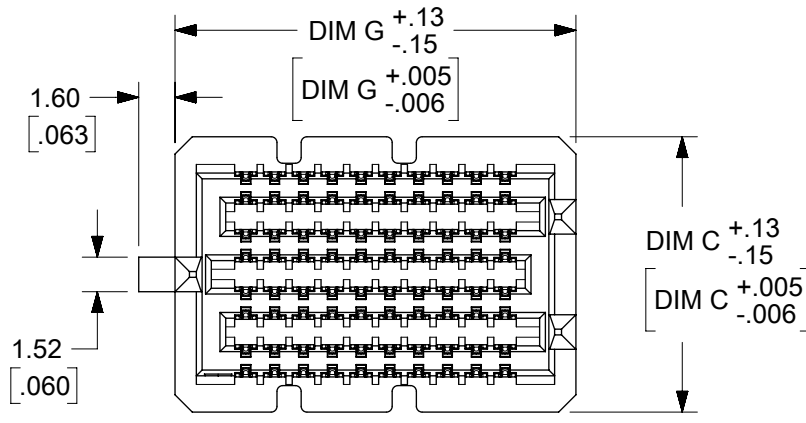
MATED STACK HEIGHTS
GIVEN IN MILLIMETERS (MM) FOR REFERENCE ONLY



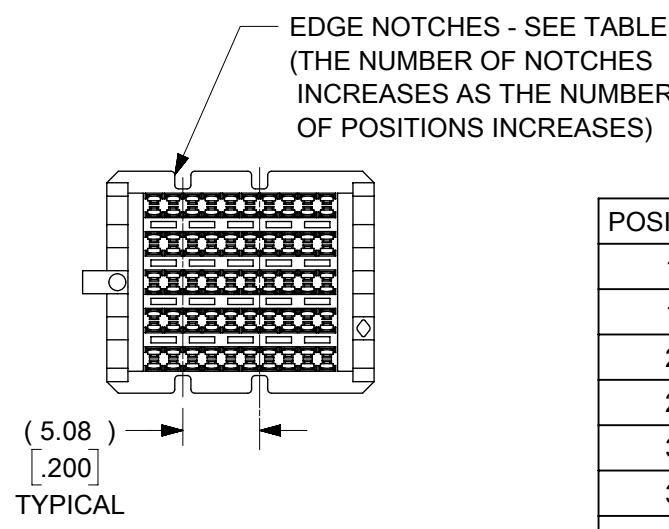
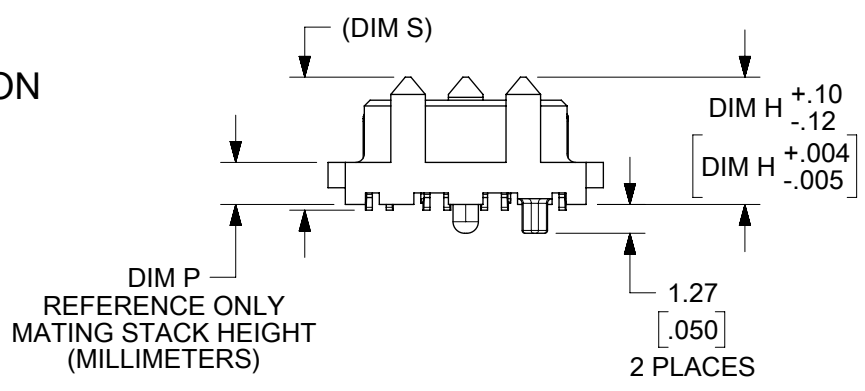
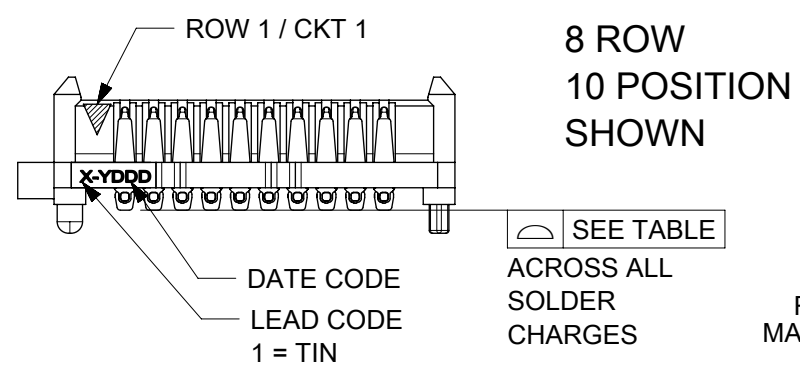
MATED STACK HEIGHTS
GIVEN IN MILLIMETERS (MM) FOR REFERENCE ONLY

SEE SHEET 1 EC NO: UCP2015-1206 DRAWN: RWHIPPLE 2014/10/27 CHKD: DMORGAN 2014/10/25 APPR: SMILLER 2015/01/05	DESCRIPTION	QUALITY SYMBOLS	GENERAL TOLERANCES (UNLESS SPECIFIED)	DIMENSION STYLE	SCALE	DESIGN UNITS	THIRD ANGLE PROJECTION
		▽/0	mm INCH	MM/IN	4:1	INCH	◎ ▽
		▽/2	4 PLACES ± --- ± ---	DRAWN BY DATE	TITLE		
		▽/0	3 PLACES ± --- ± .010	RWHIPPLE 2014/10/27	SEARAY PLUG ASSEMBLY		
			2 PLACES ± 0.25 ± .015	CHECKED BY DATE	1.27/.050 CNTRS TIN/LEAD		
			1 PLACE ± 0.38 ± ---	DMORGAN 2014/10/25	TRAY PACKAGING		
			0 PLACE ± ±	APPROVED BY DATE	molex		
			ANGULAR ± --- °	SMILLER 2015/01/05	DOCUMENT NO.		
			DRAFT WHERE APPLICABLE MUST REMAIN WITHIN DIMENSIONS	MATERIAL NO.	SEE TABLE SHT 1		SHEET NO.
				SIZE B	RSD-45970-003		2 OF 2
				THIS DRAWING CONTAINS INFORMATION THAT IS PROPRIETARY TO MOLEX INCORPORATED AND SHOULD NOT BE USED WITHOUT WRITTEN PERMISSION			

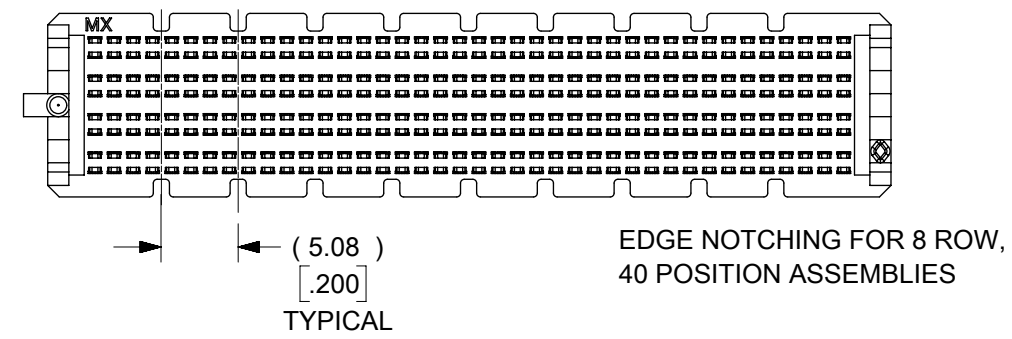
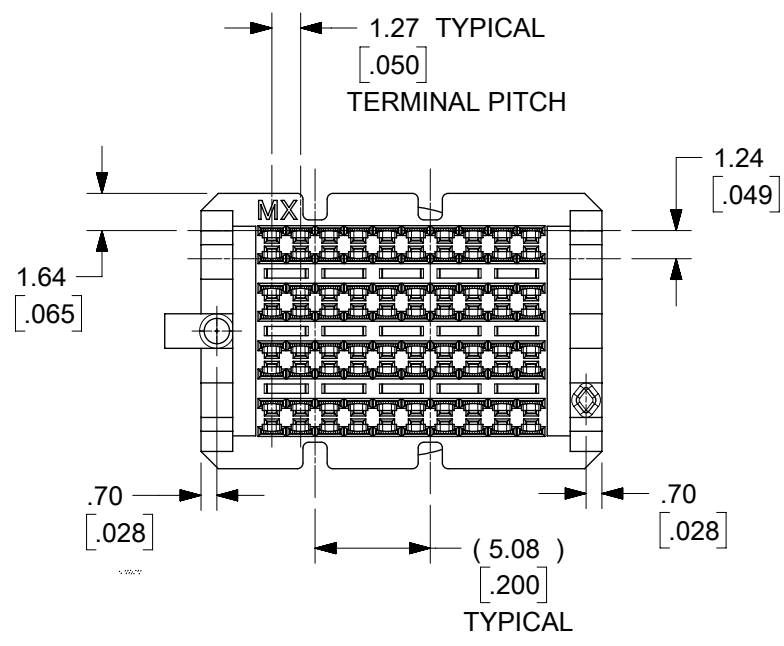
9 8 7 6 5 4 3 2 1



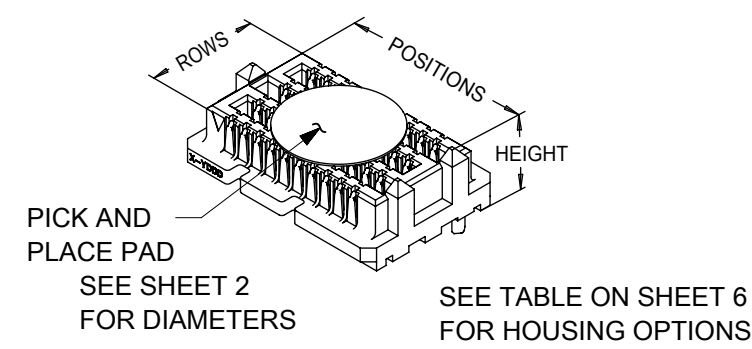
- NOTES:
- MATERIAL: HOUSING: GLASS FILLED LCP (LIQUID CRYSTAL POLYMER), UL94V-0, BLACK
CONTACTS: COPPER ALLOY
SOLDER CHARGE: 95.5% TIN, 3.8% SILVER, 0.7% COPPER
 - FINISH: ALL DIM P HEIGHT OPTIONS - SELECT GOLD IN CONTACT AREA: 30 MICROINCH MINIMUM
DIM P HEIGHT OPTIONS 2.0 & 2.5: SELECT GOLD FLASH ON TAIL, 7 MICROINCH MINIMUM
DIM P HEIGHT OPTIONS 3.0 THRU 7.0: SELECT TIN ON TAIL, 50 MICROINCH MINIMUM
ALL OPTIONS - NICKEL UNDERPLATE OVERALL ON TAIL
 - PRODUCT SPECIFICATION: PS-45970-001
 - PACKAGING SPECIFICATION: PK-45970-002 (TAPE AND REEL)
 - MATES WITH SEARAY RECEPTACLE ASSEMBLY SERIES 45971
 - APPLICATION SPECIFICATION; AS-45970-001
 - COSMETIC SPECIFICATION: PS-45499-002 CLASS B
 - PART STATUS: CONTACT MOLEX



POSITIONS	TOTAL NUMBER OF EDGE NOTCHES		Symbol
	8 ROW	6 AND 10 ROW	
10	4	4	0.15/.006
15	6	6	
20	10	10	
25	12	12	
30	14	14	
35	16	16	
40	18	20	0.23/.009
45	22	22	
50	24	24	

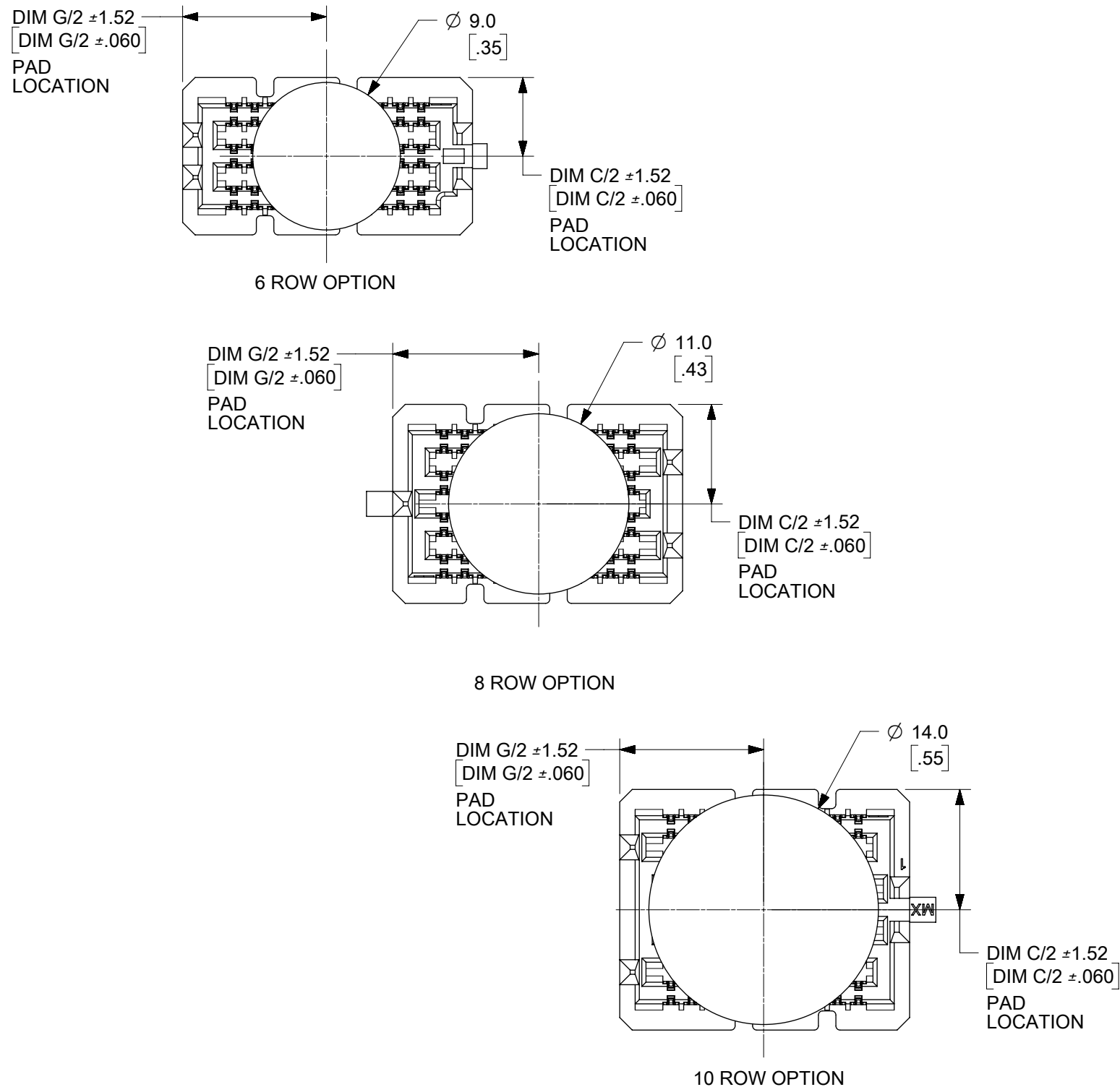


EDGE NOTCHING FOR 10 ROW ASSEMBLIES (10 POSITION SHOWN)

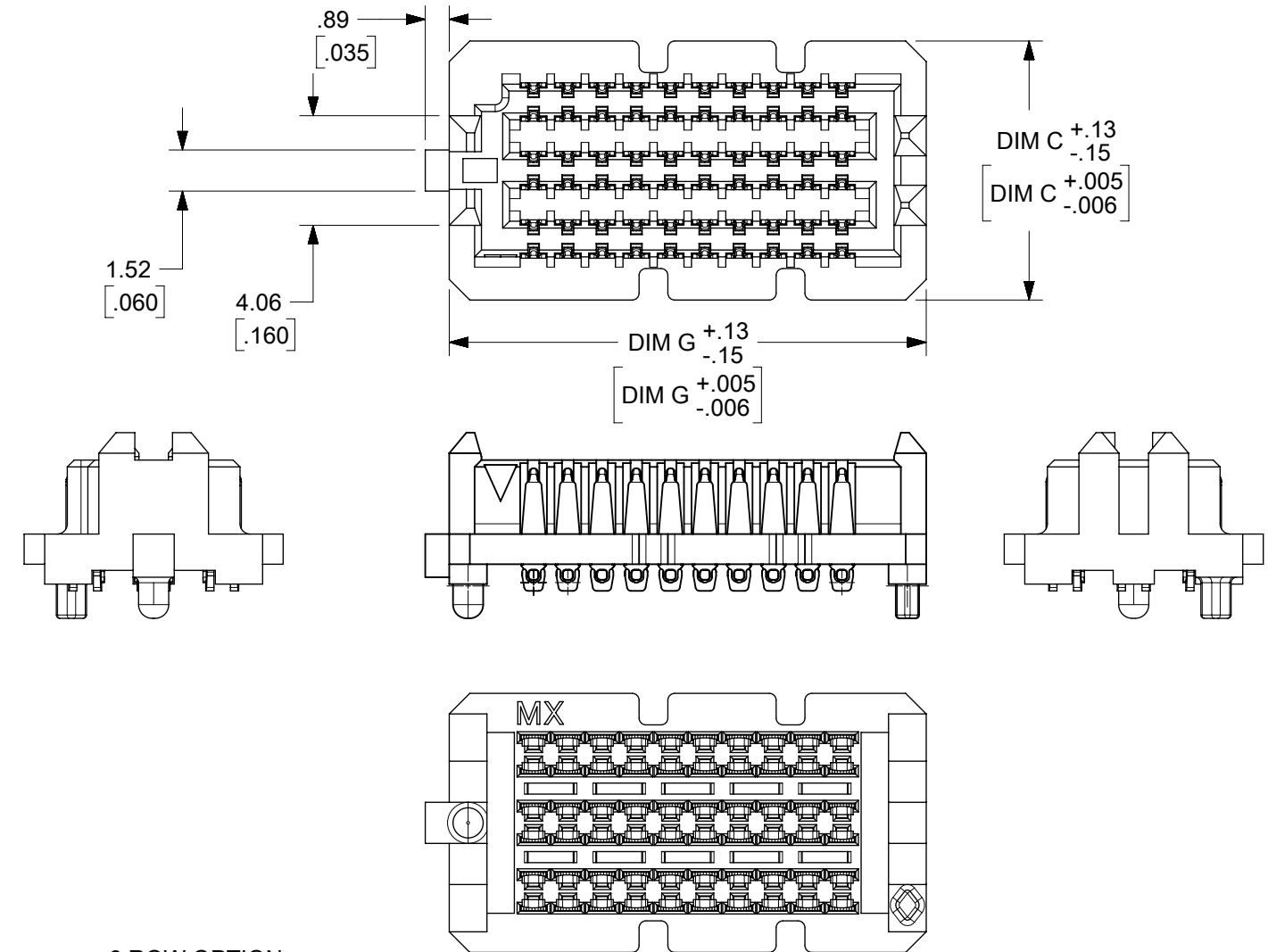


SEE OTHER EDGE NOTCHING VIEWS
SEE SHEET 3
FOR 6 ROW OPTION

SYMBOLS	THIS DRAWING CONTAINS INFORMATION THAT IS PROPRIETARY TO MOLEX ELECTRONIC TECHNOLOGIES, LLC AND SHOULD NOT BE USED WITHOUT WRITTEN PERMISSION				
	DIMENSION UNITS	SCALE			
▽ = 0	mm	4:1	EC NO: 617843		
▽ = 0	GENERAL TOLERANCES (UNLESS SPECIFIED)		DRWN: PMAHADEVAPPA 2019/05/24		
▽ = 0	ANGULAR TOL ± °		CHK'D: DMCGOWAN 2019/05/24		
▽ = 0	4 PLACES ±		APPR: DMCGOWAN 2019/05/24		
▽ = 0	3 PLACES ±		INITIAL REVISION:		
▽ = 0	2 PLACES ± 0.25		DRWN: TGREGORI 2006/01/25		
▽ = 0	1 PLACE ± 0.38		APPR: JCOMERCI 2006/01/30		
▽ = 0	0 PLACES ±		DRAFT WHERE APPLICABLE MUST REMAIN WITHIN DIMENSIONS		
▽ = 0	THIRD ANGLE PROJECTION		DRAWING		SERIES
			B-SIZE		45970
DOCUMENT NUMBER			DOC TYPE		DOC PART
SD-45970-001			PSD		001
MATERIAL NUMBER			CUSTOMER		REVISION
SEE CHART			GENERAL MARKET		T6
DOCUMENT STATUS			SHEET NUMBER		
P1 RELEASE DATE 2019/05/24 19:43:34			1 OF 7		



**PICK AND PLACE
 PAD DIAMETERS**
 10 POSITION VERSIONS SHOWN



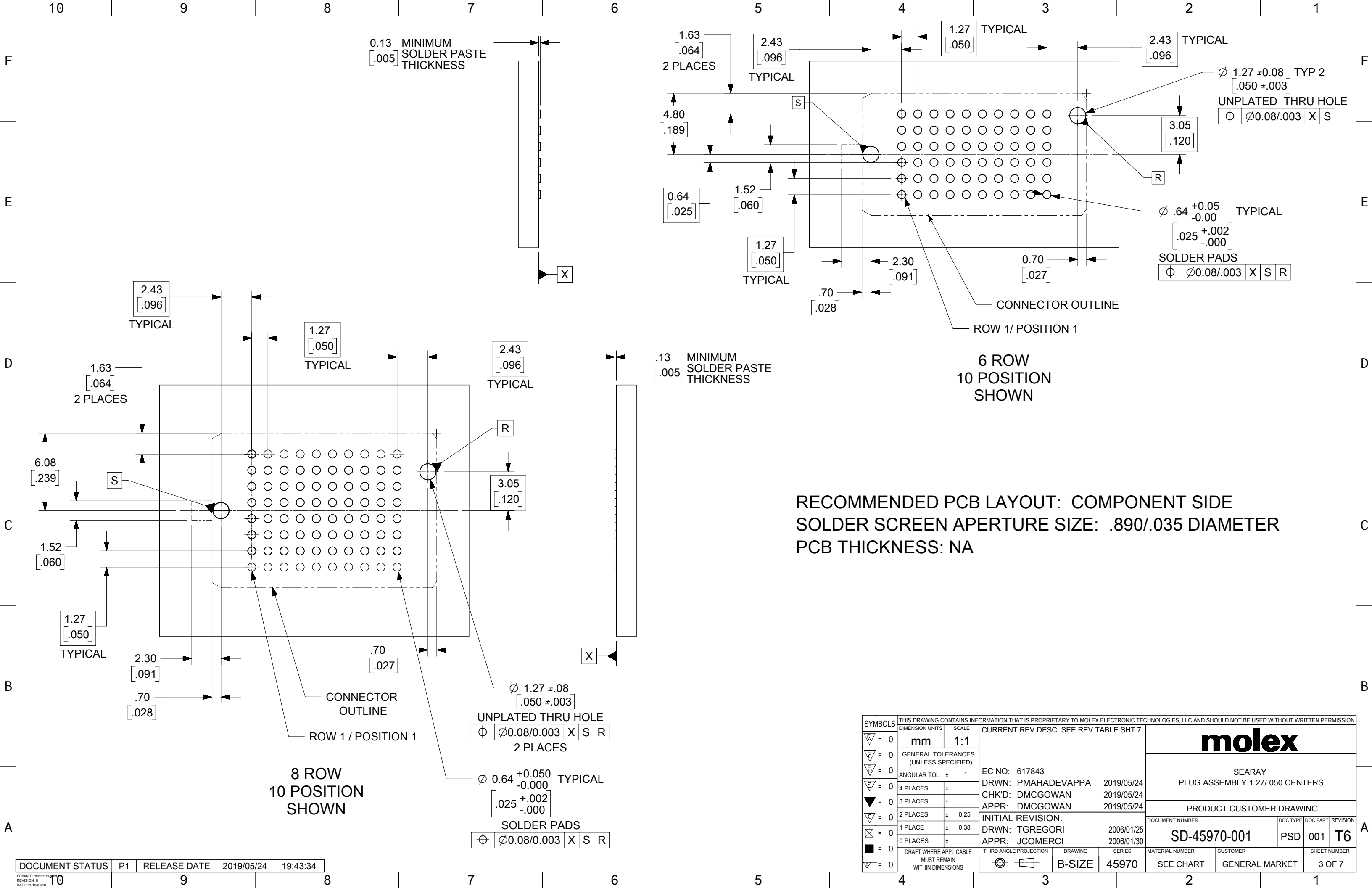
THIS DRAWING CONTAINS INFORMATION THAT IS PROPRIETARY TO MOLEX ELECTRONIC TECHNOLOGIES, LLC AND SHOULD NOT BE USED WITHOUT WRITTEN PERMISSION									
SYMBOLS		DIMENSION UNITS		SCALE		CURRENT REV DESC: SEE REV TABLE SHT 7			
▽ = 0		mm		2:1					
▽ = 0		GENERAL TOLERANCES (UNLESS SPECIFIED)							
▽ = 0		ANGULAR TOL ± °							
▽ = 0		4 PLACES ±							
▽ = 0		3 PLACES ±							
▽ = 0		2 PLACES ± 0.25							
▽ = 0		1 PLACE ± 0.38							
▽ = 0		0 PLACES ±							
▽ = 0		DRAFT WHERE APPLICABLE MUST REMAIN WITHIN DIMENSIONS							
▽ = 0		THIRD ANGLE PROJECTION		DRAWING		SERIES		MATERIAL NUMBER	
▽ = 0		B-SIZE		45970		SEE CHART		CUSTOMER	
▽ = 0		GENERAL MARKET		2 OF 7		SHEET NUMBER			

molex

SEARAY
 PLUG ASSEMBLY 1.27/.050 CENTERS

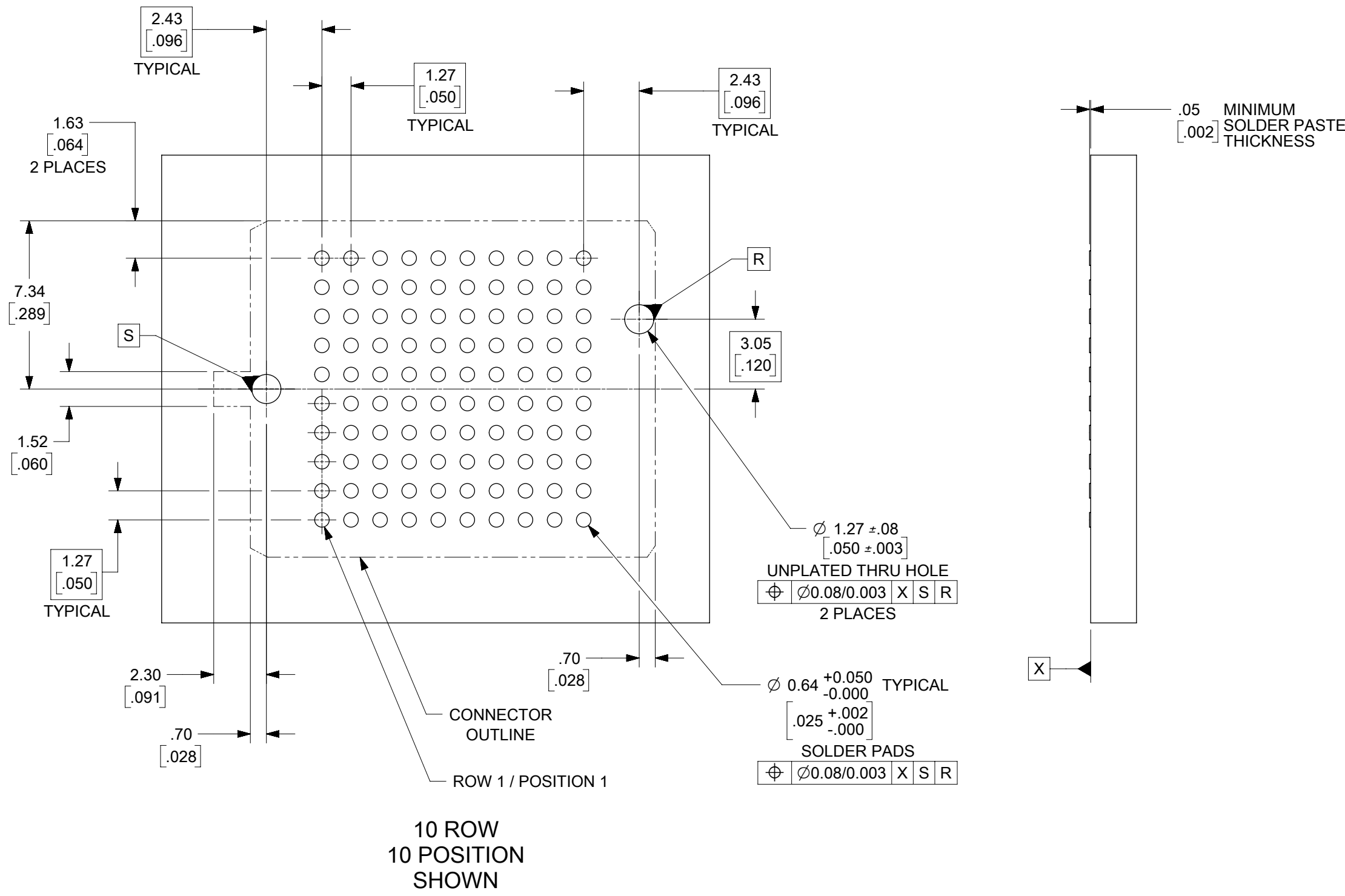
PRODUCT CUSTOMER DRAWING

DOCUMENT NUMBER: SD-45970-001
 DOC TYPE: PSD
 DOC PART: 001
 REVISION: T6



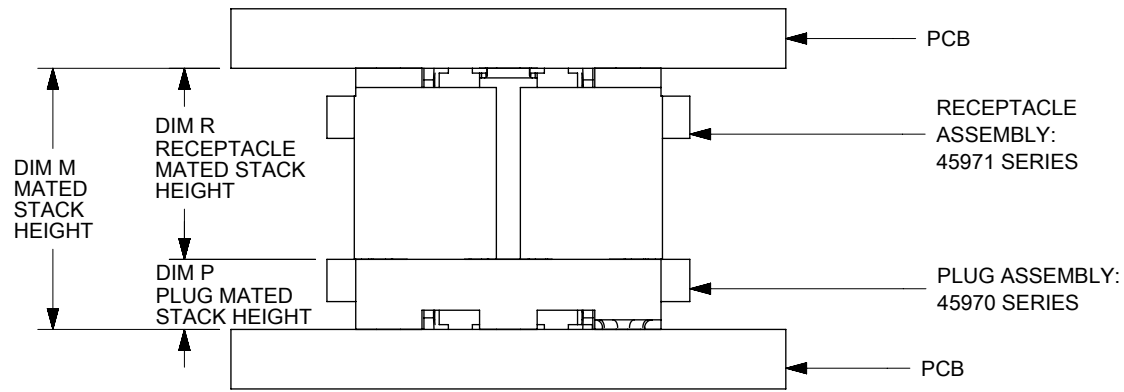
THIS DRAWING CONTAINS INFORMATION THAT IS PROPRIETARY TO MOLEX ELECTRONIC TECHNOLOGIES, LLC AND SHOULD NOT BE USED WITHOUT WRITTEN PERMISSION												
SYMBOLS		DIMENSION UNITS	SCALE	CURRENT REV DESC: SEE REV TABLE SHT 7								
▽ = 0		mm	1:1	EC NO: 617843								
▽ = 0		GENERAL TOLERANCES (UNLESS SPECIFIED)			DRWN: PMAHADEVAPPA 2019/05/24						SEARAY	
▽ = 0		ANGULAR TOL ± °			CHK'D: DMCGOWAN 2019/05/24						PLUG ASSEMBLY 1.27/.050 CENTERS	
▽ = 0		4 PLACES ±			APPR: DMCGOWAN 2019/05/24						PRODUCT CUSTOMER DRAWING	
▽ = 0		3 PLACES ±			INITIAL REVISION:						DOCUMENT NUMBER	
▽ = 0		2 PLACES ± 0.25			DRWN: TGREGORI 2006/01/25						SD-45970-001	
▽ = 0		1 PLACE ± 0.38			APPR: JCOMERCI 2006/01/30						PSD 001 T6	
▽ = 0		0 PLACES ±			DRAFT WHERE APPLICABLE MUST REMAIN WITHIN DIMENSIONS						SEE CHART	
▽ = 0		THIRD ANGLE PROJECTION		DRAWING		SERIES		MATERIAL NUMBER		CUSTOMER		
▽ = 0		B-SIZE		45970		GENERAL MARKET		SHEET NUMBER		3 OF 7		

RECOMMENDED PCB LAYOUT: COMPONENT SIDE
 SOLDER SCREEN APERTURE SIZE: .890/.035 DIAMETER
 PCB THICKNESS: NA



10 ROW
 10 POSITION
 SHOWN

THIS DRAWING CONTAINS INFORMATION THAT IS PROPRIETARY TO MOLEX ELECTRONIC TECHNOLOGIES, LLC AND SHOULD NOT BE USED WITHOUT WRITTEN PERMISSION									
SYMBOLS		DIMENSION UNITS	SCALE	CURRENT REV DESC: SEE REV TABLE SHT 7					
▽ = 0	▽ = 0	mm	5:1	EC NO: 617843 DRWN: PMAHADEVAPPA 2019/05/24 CHK'D: DMCGOWAN 2019/05/24 APPR: DMCGOWAN 2019/05/24 INITIAL REVISION: DRWN: TGREGORI 2006/01/25 APPR: JCOMERCI 2006/01/30					
▽ = 0	▽ = 0	GENERAL TOLERANCES (UNLESS SPECIFIED)							
▽ = 0	▽ = 0	ANGULAR TOL ± °							
▽ = 0	▽ = 0	4 PLACES ±							
▽ = 0	▽ = 0	3 PLACES ±							
▽ = 0	▽ = 0	2 PLACES ± 0.25		PRODUCT CUSTOMER DRAWING					
▽ = 0	▽ = 0	1 PLACE ± 0.38		DOCUMENT NUMBER		DOC TYPE	DOC PART	REVISION	
▽ = 0	▽ = 0	0 PLACES ±		SD-45970-001		PSD	001	T6	
▽ = 0	▽ = 0	DRAFT WHERE APPLICABLE MUST REMAIN WITHIN DIMENSIONS		THIRD ANGLE PROJECTION	DRAWING	SERIES	MATERIAL NUMBER	CUSTOMER	SHEET NUMBER
▽ = 0	▽ = 0				B-SIZE	45970	SEE CHART	GENERAL MARKET	4 OF 7



STACK HEIGHTS
GIVEN IN MILLIMETERS (MM) FOR REFERENCE ONLY

ROWS: 6 DIMENSION C = 9.60/.378

DIM P:	2.0 mm	3.0 mm	3.5 mm	2.5 mm	4.5 mm	5.0 mm	7.0 mm
DIM H:	5.61/.221	6.60/.260	7.11/.280	6.12/.241	8.10/.319	8.61/.339	10.61/.418
DIM S:	5.86/.231	6.85/.270	7.36/.290	6.37/.251	8.35/.329	8.86/.349	10.86/.428
POSITION	DIM G	MATERIAL NO	MATERIAL NO	MATERIAL NO	MATERIAL NO	MATERIAL NO	MATERIAL NO
10	17.69/0.698	45970-1165	45970-1265	45970-1365	45970-1465	45970-1565	45970-1765
20	30.39/1.198	45970-2165	45970-2265	45970-2365	45970-2465	45970-2565	45970-2765
30	43.09/1.698	45970-3165	45970-3265	45970-3365	45970-3465	45970-3565	45970-3765
40	55.79/2.198	45970-4165	45970-4265	45970-4365	45970-4465	45970-4565	45970-4765
50	68.49/2.698	45970-5165	45970-5265	45970-5365	45970-5465	45970-5565	45970-5765
15	24.04/0.948	45970-6165	45970-6265	45970-6365	45970-6465	45970-6565	45970-6765
25	36.74/1.448	45970-7165	45970-7265	45970-7365	45970-7465	45970-7565	45970-7765
35	49.44/1.948	45970-8165	45970-8265	45970-8365	45970-8465	45970-8565	45970-8765
45	62.14/2.448	45970-9165	45970-9265	45970-9365	45970-9465	45970-9565	45970-9765

MATING STACK HEIGHTS (DIMENSION P)
GIVEN IN MILLIMETERS (mm) FOR REFERENCE ONLY

		DIM R RECEPTACLE STACK HEIGHT									
		5.0		6.0		6.5		7.5		8.0	
mm	DIM P FULLY MATED	DIM M MAX	DIM M FULLY MATED	DIM M MAX	DIM M FULLY MATED	DIM M MAX	DIM M FULLY MATED	DIM M MAX	DIM M FULLY MATED	DIM M MAX	DIM M FULLY MATED
		DIM P PLUG STACK HEIGHT	2.0	7.00	7.74	8.00	8.74	8.50	9.24	9.50	10.24
2.5	7.50		8.24	8.50	9.24	9.00	9.74	10.00	10.74	10.50	11.24
3.0	8.00		8.74	9.00	9.74	9.50	10.24	10.50	11.24	11.00	11.74
3.5	8.50		9.24	9.50	10.24	10.00	10.74	11.00	11.74	11.50	12.24
4.5	9.50		10.24	10.50	11.24	11.00	11.74	12.00	12.74	12.50	13.24
5.0	10.00		10.74	11.00	11.74	11.50	12.24	12.50	13.24	13.00	13.74
7.0	12.00		12.74	13.00	13.74	13.50	14.24	14.50	15.24	15.00	15.74
9.0	14.00		14.74	15.00	15.74	15.50	16.24	16.50	17.24	17.00	17.74

MATED STACK HEIGHTS
GIVEN IN MILLIMETERS (mm) FOR REFERENCE ONLY

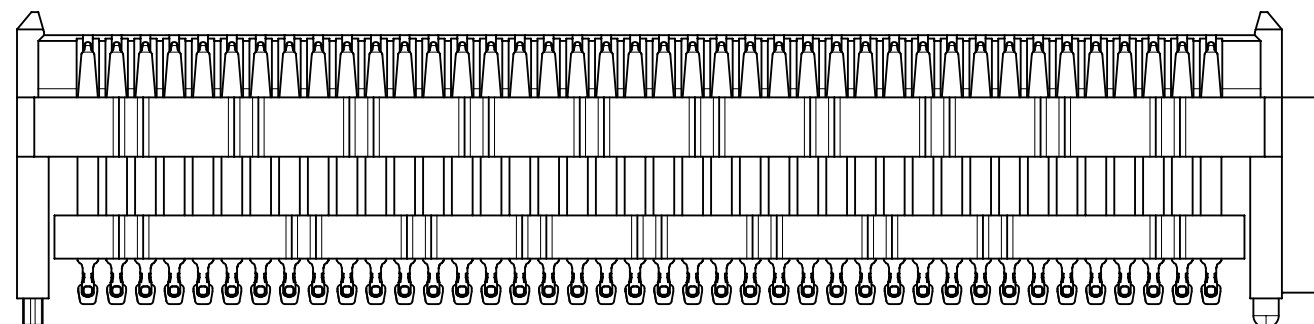
SYMBOLS	THIS DRAWING CONTAINS INFORMATION THAT IS PROPRIETARY TO MOLEX ELECTRONIC TECHNOLOGIES, LLC AND SHOULD NOT BE USED WITHOUT WRITTEN PERMISSION											
	DIMENSION UNITS		SCALE		CURRENT REV DESC: SEE REV TABLE SHT 7							
	mm		1:1		molex SEARAY PLUG ASSEMBLY 1.27/.050 CENTERS PRODUCT CUSTOMER DRAWING							
	GENERAL TOLERANCES (UNLESS SPECIFIED)											
	ANGULAR TOL ± °		EC NO: 617843		DRWN: PMAHADEVAPPA 2019/05/24							
	4 PLACES ±		CHK'D: DMCGOWAN 2019/05/24		APPR: DMCGOWAN 2019/05/24							
	3 PLACES ±		INITIAL REVISION:		DRWN: TGREGORI 2006/01/25							
	2 PLACES ± 0.25		1 PLACE ± 0.38		APPR: JCOMERCI 2006/01/30							
	1 PLACE ±		0 PLACES ±		DOCUMENT NUMBER		DOC TYPE		DOC PART		REVISION	
	DRAFT WHERE APPLICABLE MUST REMAIN WITHIN DIMENSIONS		THIRD ANGLE PROJECTION		DRAWING		SERIES		MATERIAL NUMBER		CUSTOMER	
		B-SIZE		45970		SEE CHART		GENERAL MARKET		SHEET NUMBER		
										5 OF 7		

ROWS: 8 DIMENSION C = 12.14/.478								
DIM P:		2.0 mm	3.0 mm	3.5 mm	2.5 mm	4.5 mm	5.0 mm	7.0 mm
DIM H:		5.61/.221	6.60/.260	7.11/.280	6.12/.241	8.10/.319	8.61/.339	10.61/.418
DIM S:		5.86/.231	6.85/.270	7.36/.290	6.37/.251	8.35/.329	8.86/.349	10.86/.428
POSITION	DIM G	MATERIAL NO	MATERIAL NO	MATERIAL NO	MATERIAL NO	MATERIAL NO	MATERIAL NO	MATERIAL NO
10	17.69/0.698	45970-1185	45970-1285	45970-1385	45970-1485	45970-1585	45970-1685	45970-1785
20	30.39/1.198	45970-2185	45970-2285	45970-2385	45970-2485	45970-2585	45970-2685	45970-2785
30	43.09/1.698	45970-3185	45970-3285	45970-3385	45970-3485	45970-3585	45970-3685	45970-3785
40	55.79/2.198	45970-4185	45970-4285	45970-4385	45970-4485	45970-4585	45970-4685	45970-4785
50	68.49/2.698	45970-5185	45970-5285	45970-5385	45970-5485	45970-5585	45970-5685	45970-5785
15	24.04/0.948	45970-6185	45970-6285	45970-6385	45970-6485	45970-6585	45970-6685	45970-6785
25	36.74/1.448	45970-7185	45970-7285	45970-7385	45970-7485	45970-7585	45970-7685	45970-7785
35	49.44/1.948	45970-8185	45970-8285	45970-8385	45970-8485	45970-8585	45970-8685	45970-8785
45	62.14/2.448	45970-9185	45970-9285	45970-9385	45970-9485	45970-9585	45970-9685	45970-9785

ROWS: 10 DIMENSION C = 14.68/.578										
DIM P:		2.0 mm	3.0 mm	3.5 mm	2.5 mm	4.5 mm	5.0 mm	7.0 mm	9.0 mm	9.0 mm
DIM H:		5.61/.221	6.60/.260	7.11/.280	6.12/.241	8.10/.319	8.61/.339	10.61/.418	12.62/.497	12.62/.497
DIM S:		5.86/.231	6.85/.270	7.36/.290	6.37/.251	8.35/.329	8.86/.349	10.86/.428	12.87/.507	12.87/.507
POSITION	DIM G	MATERIAL NO	MATERIAL NO	MATERIAL NO	MATERIAL NO	MATERIAL NO	MATERIAL NO	MATERIAL NO	MATERIAL NO	MATERIAL NO
10	17.69/0.698	45970-1115	45970-1215	45970-1315	45970-1415	45970-1515	45970-1615	45970-1715	45970-1915	
20	30.39/1.198	45970-2115	45970-2215	45970-2315	45970-2415	45970-2515	45970-2615	45970-2715	45970-2915	
30	43.09/1.698	45970-3115	45970-3215	45970-3315	45970-3415	45970-3515	45970-3615	45970-3715	45970-3915	
40	55.79/2.198	45970-4115	45970-4215	45970-4315	45970-4415	45970-4515	45970-4615	45970-4715	45970-4915	45970-4916
50	68.49/2.698	45970-5115	45970-5215	45970-5315	45970-5415	45970-5515	45970-5615	45970-5715	45970-5915	45970-5916
15	24.04/0.948	45970-6115	45970-6215	45970-6315	45970-6415	45970-6515	45970-6615	45970-6715	45970-6915	
25	36.74/1.448	45970-7115	45970-7215	45970-7315	45970-7415	45970-7515	45970-7615	45970-7715	45970-7915	
35	49.44/1.948	45970-8115	45970-8215	45970-8315	45970-8415	45970-8515	45970-8615	45970-8715	45970-8915	
45	62.14/2.448	45970-9115	45970-9215	45970-9315	45970-9415	45970-9515	45970-9615	45970-9715	45970-9915	

MATING STACK HEIGHTS (DIMENSION P)
GIVEN IN MILLIMETERS (mm) FOR REFERENCE ONLY

9.0mm PLUG WITH ALIGNER
45970-4916 SHOWN



SYMBOLS	THIS DRAWING CONTAINS INFORMATION THAT IS PROPRIETARY TO MOLEX ELECTRONIC TECHNOLOGIES, LLC AND SHOULD NOT BE USED WITHOUT WRITTEN PERMISSION	
	DIMENSION UNITS	SCALE
▽ = 0	mm	3:1
▽ = 0	GENERAL TOLERANCES (UNLESS SPECIFIED)	
▽ = 0	ANGULAR TOL ± °	
▽ = 0	4 PLACES ±	
▽ = 0	3 PLACES ±	
▽ = 0	2 PLACES ± 0.25	
▽ = 0	1 PLACE ± 0.38	
▽ = 0	0 PLACES ±	
▽ = 0	DRAFT WHERE APPLICABLE MUST REMAIN WITHIN DIMENSIONS	
CURRENT REV DESC: SEE REV TABLE SHT 7		
EC NO: 617843		
DRWN: PMAHADEVAPPA 2019/05/24		
CHK'D: DMCGOWAN 2019/05/24		
APPR: DMCGOWAN 2019/05/24		
INITIAL REVISION:		
DRWN: TGREGORI 2006/01/25		
APPR: JCOMERCI 2006/01/30		
THIRD ANGLE PROJECTION		
DRAWING		
SERIES		
MATERIAL NUMBER		
CUSTOMER		
SHEET NUMBER		
B-SIZE		
45970		
SEE CHART		
GENERAL MARKET		
6 OF 7		
DOCUMENT NUMBER		
SD-45970-001		
DOC TYPE		
PSD		
DOC PART		
001		
REVISION		
T6		
PRODUCT CUSTOMER DRAWING		
SEARAY		
PLUG ASSEMBLY 1.27/.050 CENTERS		
molex		

REV	DATE	DESCRIPTION
T3	2017/03/28	MIGRATED TO ECTR / NX
	2017/06/09	ADDED RECOMMENDED PCB LAYOUT FOR 8 ROW ASSEMBLIES ON SHEET 3, UPDATED VIEWS SHEET 1, SHIFTED TABLES TO NEXT SHEETS.
T4	2018/10/03	ADD PAD LOCATION DIMENSIONS ON SHEET 2, UPDATE MATING HEIGHT TABLE ON SHEET 5, ADD VERSIONS WITH ALIGNERS ON SHEET 6
T5	2019/01/15	UPDATE 8 ROW CHART ON SHEET 6
T6	2019/05/20	ADDED RECOMMENDED PCB LAYOUT FOR 10 ROW ASSEMBLIES ON SHEET 4, SHIFTED TABLES TO NEXT SHEETS.

SYMBOLS	THIS DRAWING CONTAINS INFORMATION THAT IS PROPRIETARY TO MOLEX ELECTRONIC TECHNOLOGIES, LLC AND SHOULD NOT BE USED WITHOUT WRITTEN PERMISSION									
	DIMENSION UNITS		SCALE		CURRENT REV DESC: SEE REV TABLE SHT 7					
	mm		1:1		EC NO: 617843 DRWN: PMAHADEVAPPA 2019/05/24 CHK'D: DMCGOWAN 2019/05/24 APPR: DMCGOWAN 2019/05/24					
	GENERAL TOLERANCES (UNLESS SPECIFIED)									
	ANGULAR TOL		± °		INITIAL REVISION: DRWN: TGREGORI 2006/01/25 APPR: JCOMERCI 2006/01/30					
	4 PLACES		±							
	3 PLACES		±		DOCUMENT NUMBER		DOC TYPE	DOC PART	REVISION	
	2 PLACES		± 0.25		SD-45970-001		PSD	001	T6	
	1 PLACE		± 0.38		MATERIAL NUMBER		CUSTOMER		SHEET NUMBER	
	0 PLACES		±		SEE CHART		GENERAL MARKET		7 OF 7	
DRAFT WHERE APPLICABLE MUST REMAIN WITHIN DIMENSIONS		THIRD ANGLE PROJECTION		DRAWING	SERIES					
				B-SIZE	45970					

molex

SEARAY
PLUG ASSEMBLY 1.27/.050 CENTERS

PRODUCT CUSTOMER DRAWING