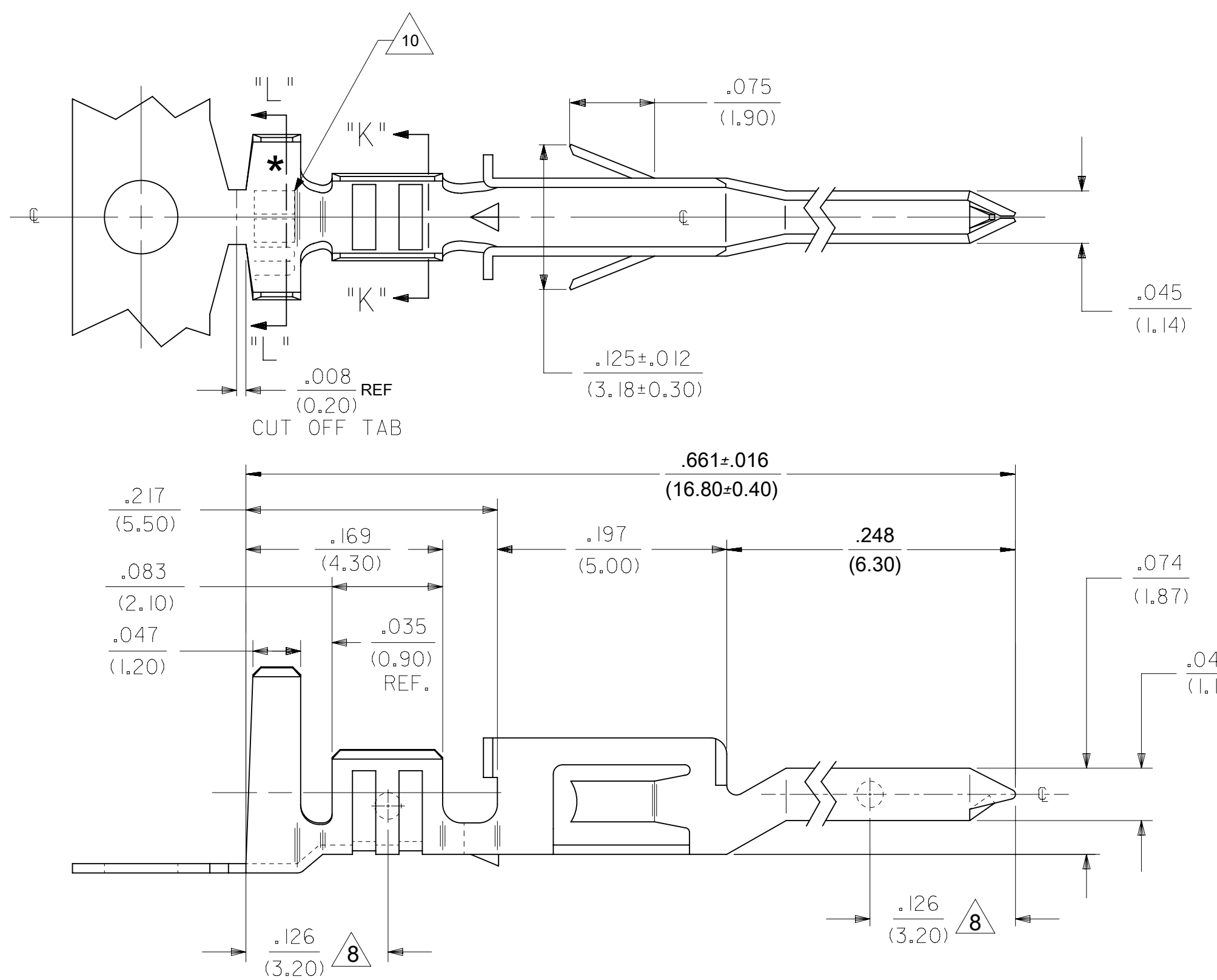
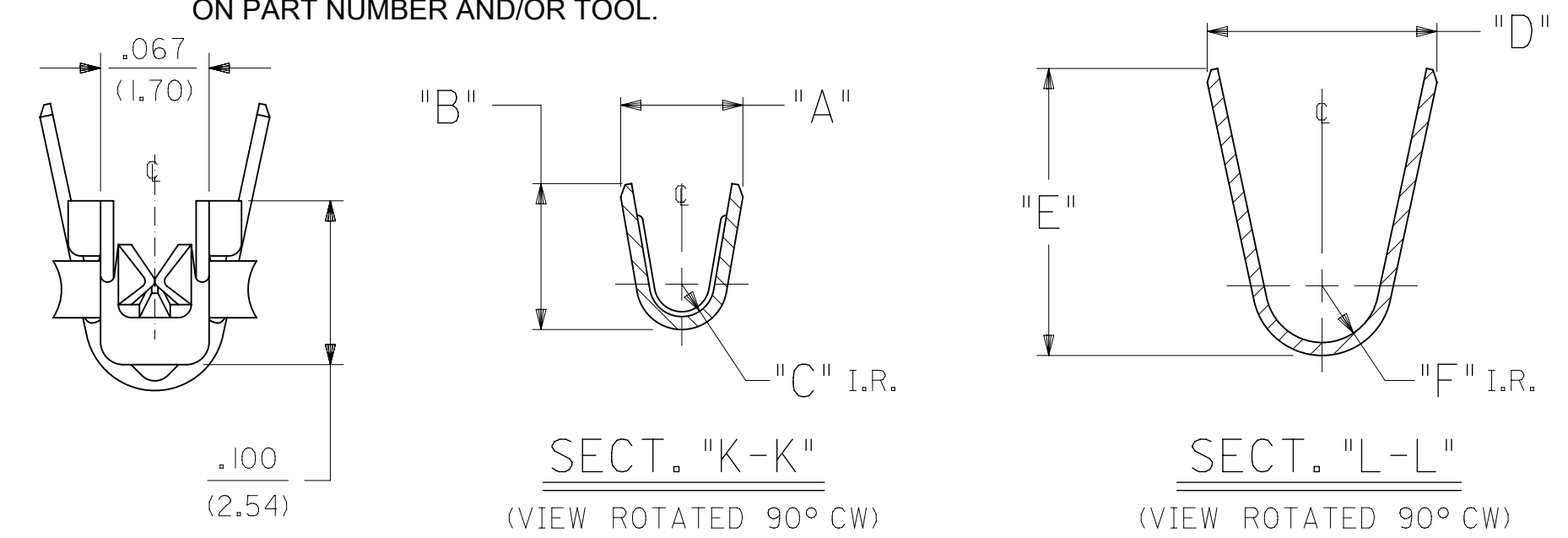


ITEM NO.	FORM	WIRE GAGE	RANGE OF INSULATION DIA.	DIM. "A"	DIM. "B"	DIM. "C"	DIM. "D"	DIM. "E"	DIM. "F"	FINISH (SEE NOTE 2)
46012-1141	CHAIN	18-20 GA.	.051-.122 (1.30-3.10)	.075±.012 (1.90±.30)	.091±.016 (2.30±.40)	.020 (.50)	.142±.012 (3.60±.30)	.177±.016 (4.50±.40)	.035 (.90)	FINISH 1 - BRIGHT TIN OVER NICKEL
46012-1142	LOOSE									
46012-3141	CHAIN	16 GA.	.122 (3.10) MAX.	.091±.012 (2.30±.30)	.106±.016 (2.70±.40)	.024 (.60)	.142±.012 (3.60±.30)	.177±.016 (4.50±.40)	.035 (.90)	
46012-3142	LOOSE									
46012-1241	CHAIN	18-20 GA.	.051-.122 (1.30-3.10)	.075±.012 (1.90±.30)	.091±.016 (2.30±.40)	.020 (.50)	.142±.012 (3.60±.30)	.177±.016 (4.50±.40)	.035 (.90)	FINISH 2 - SEL. GOLD AND SEL. MATTE TIN OVER NICKEL
46012-1242	LOOSE									
46012-3241	CHAIN	16 GA.	.122 (3.10) MAX.	.091±.012 (2.30±.30)	.106±.016 (2.70±.40)	.024 (.60)	.142±.012 (3.60±.30)	.177±.016 (4.50±.40)	.035 (.90)	
46012-3242	LOOSE									



- NOTES:**
- MATERIAL:**
COPPER ALLOY
 - FINISH:**
1= .000100/(0.00254) MIN. BRIGHT TIN OVER .000050/(0.00127) MIN NICKEL OVERALL.
2= .000030/(.00076) MIN SELECT GOLD IN CONTACT AREA AND .000100/(0.00254) MIN SELECT MATTE TIN IN CRIMP AREA OVER .000050/(0.00127) MIN NICKEL OVERALL.
GOLD PLATING RECOMMENDED FOR APPLICATIONS WHERE FRETTING CORROSION IS A CONCERN.
 - PRODUCT SPECIFICATION:** PS-45750-001
 - PACKAGING SPECIFICATION:** PK-46012-001 FOR CHAIN TERMINALS
PK-5556-003 FOR LOOSE TERMINALS.
 - TERMINAL MATES WITH FEMALE TERMINAL SERIES 45750 AND IS FOR USE WITH MOLEX PLUG HOUSINGS 5559, 42475, 43770 AND 30068.**
 - THIS TERMINAL IS DESIGNED FOR SINGLE WIRE CRIMPING.**
 - WHEN TERMINALS ARE INSTALLED IN THE HOUSINGS, THE WIRES ARE TO BE DRESSED IN SUCH A MANNER TO ALLOW THE TERMINALS TO FLOAT FREELY IN THE POCKETS.**
 - MEASURING POINT FOR PLATING THICKNESS.**
 - PART CONFORMS TO CLASS "B" REQUIREMENTS OF COSMETIC SPECIFICATION PS-45499-002.**
 - TEXT ON PART IS FOR REFERENCE ONLY. TEXT AND TEXT LOCATION MAY VARY DEPENDING ON PART NUMBER AND/OR TOOL.**



LEGEND:

46012 - * * 4 *

BASE NO. ———— 46012 ———— * * ————

WIRE GAGE ———— * * ————

1= 18-20
3= 16

PLATING ———— * * ————

1= TIN
2= GOLD

CHAIN OR LOOSE ———— 4 * ————

1= CHAIN
2= LOOSE

QUALITY SYMBOLS ▽ = 0 ▽ = 0 ▽ = 0 ▽ = 0 ▽ = 0 ▽ = 0 ▽ = 0 ▽ = 0 ▽ = 0 ▽ = 0 ▽ = 0 ▽ = 0	THIS DRAWING CONTAINS INFORMATION THAT IS PROPRIETARY TO MOLEX ELECTRONIC TECHNOLOGIES, LLC AND SHOULD NOT BE USED WITHOUT WRITTEN PERMISSION				DIMENSION UNITS IN/MM		SCALE 10:1		<p>TERM., MALE, CRIMP MINI-FIT JR. HCS PLUS SERIES</p>			
	GENERAL TOLERANCES (UNLESS SPECIFIED)		DRWN BY TGREGORI		DATE 2005/07/28		PRODUCT CUSTOMER DRAWING					
	4 PLACES ± ±		CHK'D BY GPOLGAR		DATE 2005/07/28							SERIES: 46012 MATERIAL NUMBER: SEE CHART CUSTOMER: GENERAL MARKET
	3 PLACES ± ± 0.01		APPR BY JCOMERCI		DATE 2005/07/28							
2 PLACES ± 0.25 ± 0.015		ANGLULAR TOL = 0.5		DRAWING SIZE C		THIRD ANGLE PROJECTION		DOCUMENT NUMBER: SD-46012-001 DOC TYPE: PSD DOC PART: 001 SHEET NUMBER: 1 OF 1				
1 PLACES ± 0.38 ±		DRAFT WHERE APPLICABLE MUST REMAIN WITHIN DIMENSIONS										
0 PLACES ± ±												