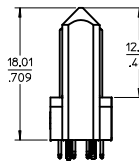
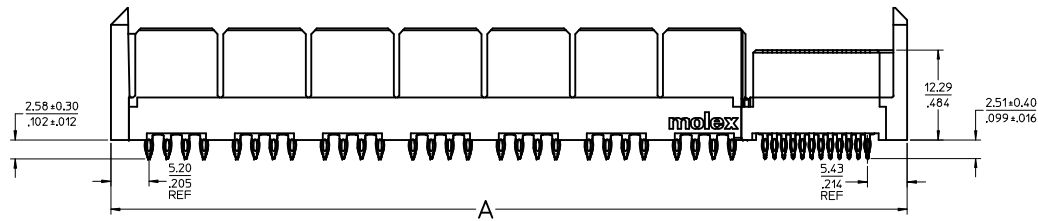
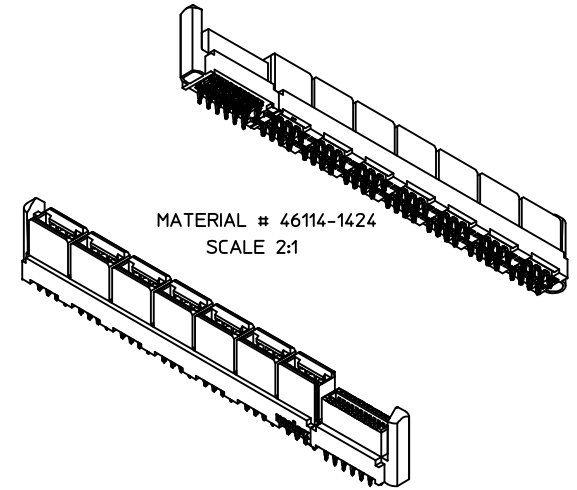
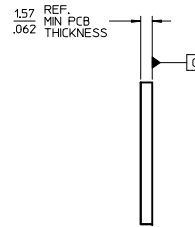
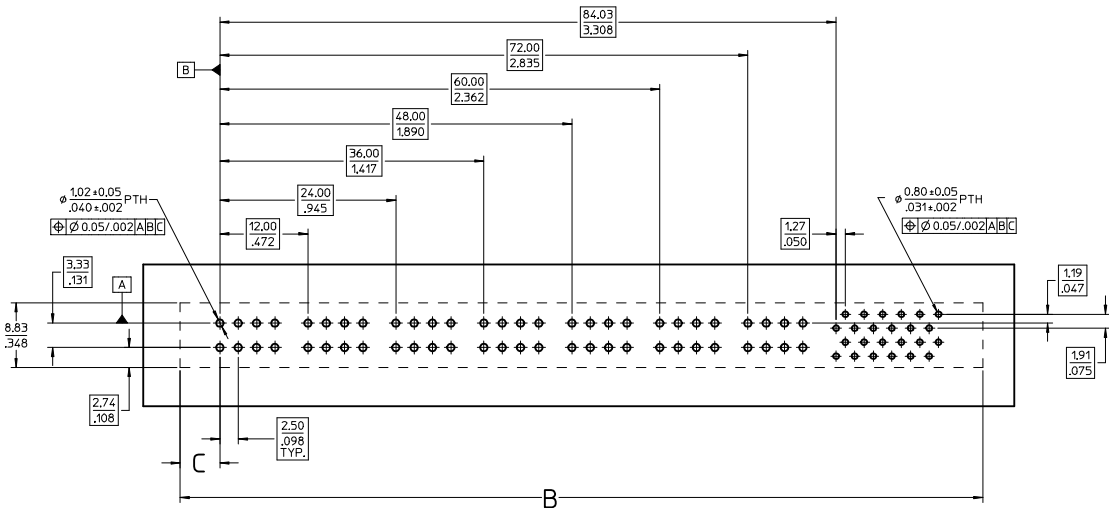


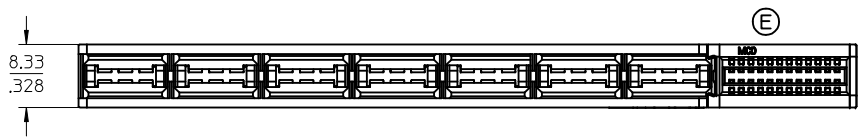
NO OF SIGNALS	MATERIAL NUMBER	COMPLIANT PIN PLATING	DM A	DM B	DM C
12	46114-1412	TIN	101.01/3.977	101.51/3.996	5.45/215
16	46114-1416	TIN	103.55/4.077	104.05/4.096	
20	46114-1420	TIN	106.09/4.177	106.59/4.196	
24	46114-1424	TIN	108.63/4.277	109.13/4.296	
28	46114-1428	TIN	111.17/4.377	111.67/4.396	
32	46114-1432	TIN	113.71/4.477	114.21/4.496	
36	46114-1436	TIN	116.25/4.577	116.75/4.596	
40	46114-1440	TIN	118.79/4.677	119.29/4.696	



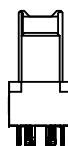
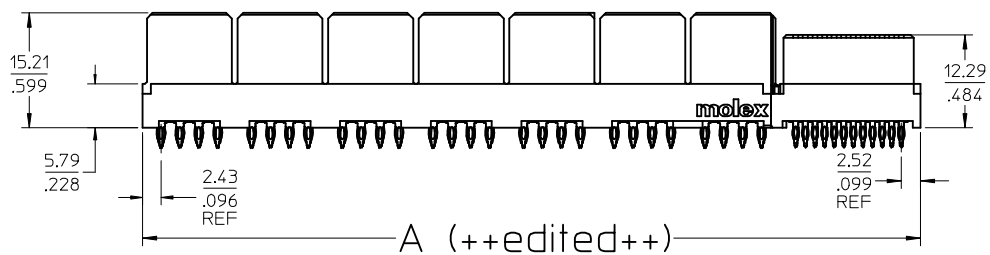
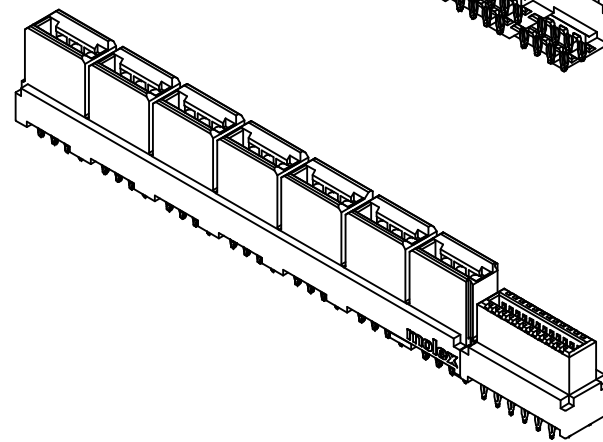
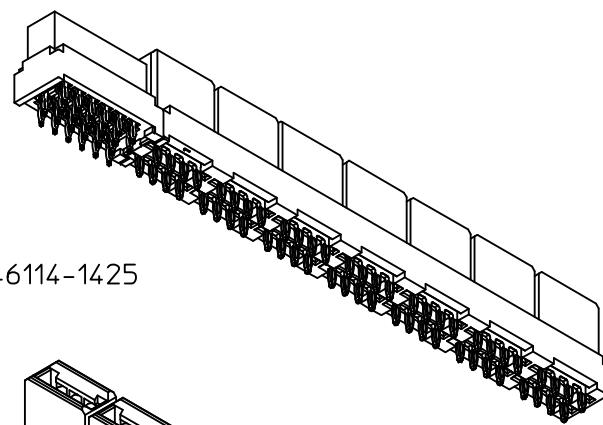
- NOTES:
1. MATERIAL: HOUSING: LCP, 94-VO, COLOR: BLACK. POWER CONTACTS: COPPER ALLOY. SIGNAL CONTACTS: MODIFIED TIN BRASS.
 2. FINISH: SELECT GOLD - 0.75 μ M/30 μ INCHES. SELECTED TIN - 2.50 μ M/100 μ INCHES. BOTH OVER NICKEL - 1.25 μ M/50 μ INCHES.
 3. POWER TERMINALS ARE LUBRICATED IN CONTACT AREA.
 4. PARTS ARE RoHS COMPLIANT.
 5. MATES TO MOLEX P/N 45985-SERIES OR EDGE CARD 1571.062.
 6. PRODUCT SPECIFICATION PS-46114-001.
 7. PACKAGING: PER PK-46114-003.



UPDATE LOGO EC NO: S2016-1044 DRAWN: IN06 CHKD: JZNG APPR: KHLIM	QUALITY SYMBOLS	GENERAL TOLERANCES (UNLESS SPECIFIED)		DIMENSION STYLE		SCALE 2:1	DESIGN UNITS METRIC	THIRD ANGLE PROJECTION
		mm	INCH	MM/IN	DATE			
REV DESCRIPTION	4 PLACES	±---	±---	MM/IN	DATE	DRAWN BY MKARADI MAS 2007/07/18 CHECKED BY APATEL 2007/07/20 APPROVED BY JCOMERCJ 2009/12/03	TITLE LPH VERTICAL RECEPTACLE COMPLIANT PIN ASSEMBLY 14CKT PWR CON, PRESS FIT	MOLEX INCORPORATED
	3 PLACES	±---	±.010	DATE				
	2 PLACES	±0.25	±---	DATE				
	1 PLACE	±---	±---	DATE				
	ANGULAR ±1/2°							
DRAFT WHERE APPLICABLE MUST REMAIN WITHIN DIMENSIONS		SEE CHART		MATERIAL NO. SD-46114-140		DOCUMENT NO.		SHEET NO. 1 OF 3
THIS DRAWING CONTAINS INFORMATION THAT IS PROPRIETARY TO MOLEX INCORPORATED AND SHOULD NOT BE USED WITHOUT WRITTEN PERMISSION								



MATERIAL # 46114-1425
SHOWN

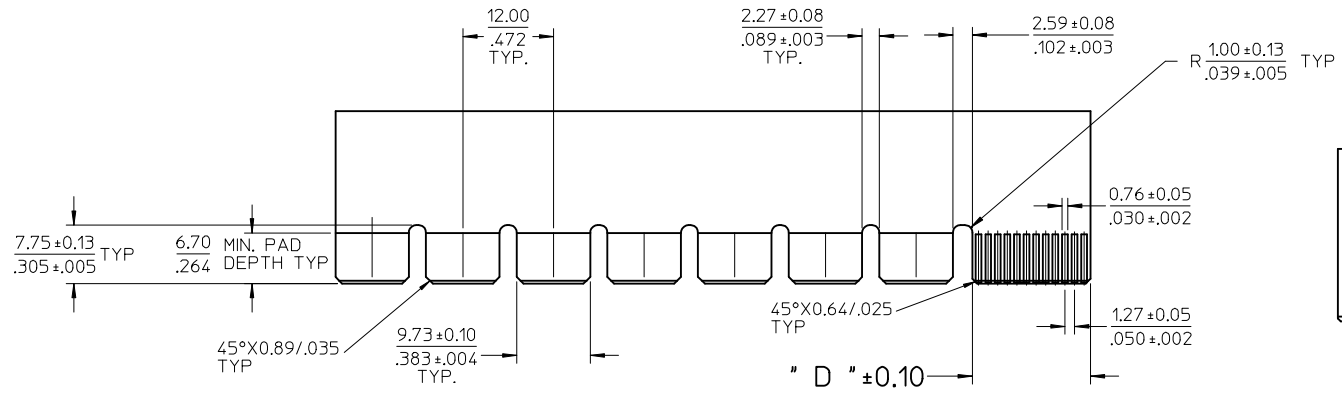
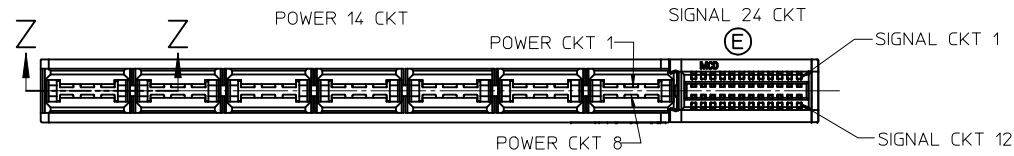


NO OF SIGNALS	MATERIAL NUMBER	COMPLIANT PIN PLATING	DIM A	DIM B	DIM C
12	46114-1413	TIN	95.34/3.754	95.84/3.773	2.69/1.06
16	46114-1417	TIN	97.88/3.854	98.38/3.873	
20	46114-1421	TIN	100.42/3.954	100.92/3.973	
24	46114-1425	TIN	102.96/4.054	103.46/4.073	
28	46114-1429	TIN	105.50/4.154	106.00/4.173	
32	46114-1433	TIN	108.04/4.254	108.54/4.273	
36	46114-1437	TIN	110.58/4.354	111.04/4.373	
40	46114-1441	TIN	113.12/4.454	113.62/4.473	

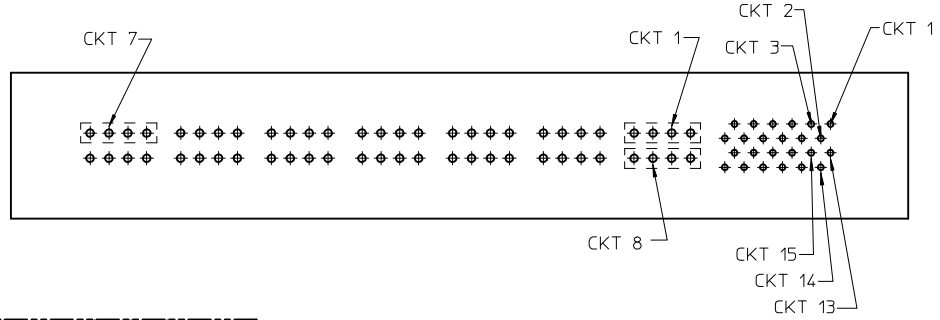
UPDATE LOGO EC NO: S2016-1044 DRW: NALIN06 2016/05/18 CHKD: JZENG 2016/06/03 APPR: KHLIM 2016/06/10	QUALITY SYMBOLS DESCRIPTION	GENERAL TOLERANCES (UNLESS SPECIFIED)		DIMENSION STYLE MM/IN	SCALE 2:1	DESIGN UNITS METRIC	THIRD ANGLE PROJECTION	
		4 PLACES ± --- ± --- 3 PLACES ± --- ± .010 2 PLACES ± 0.25 ± --- 1 PLACE ± --- ± ---	mm INCH	DRAWN BY MKARADIMAS	DATE 2007/07/18	TITLE LPH VERTICAL RECEPTACLE COMPLIANT PIN ASSEMBLY 14CKT PWR CON, PRESS FIT		
		ANGULAR ±1/2°		CHECKED BY APATEL	DATE 2007/07/20	APPROVED BY JCOMERC I	DATE 2009/12/03	MOLEX INCORPORATED
		DRAFT WHERE APPLICABLE MUST REMAIN WITHIN DIMENSIONS		MATERIAL NO. SEE CHART	DOCUMENT NO. SD-46114-140	SHEET NO. 2 OF 3		

THIS DRAWING CONTAINS INFORMATION THAT IS PROPRIETARY TO MOLEX INCORPORATED AND SHOULD NOT BE USED WITHOUT WRITTEN PERMISSION

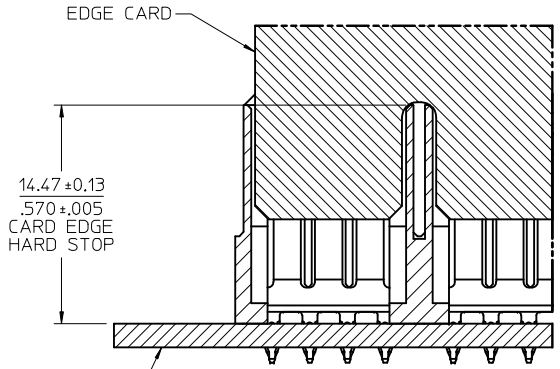
NO OF SIGNAL	DIM. D
12	8.00/.315
16	10.54/.415
20	13.08/.515
24	15.62/.615
28	18.16/.715
32	20.70/.815
36	23.24/.915
40	25.78/1.015



RECOMMENDED EDGE CARD LAYOUT
EDGE CARD THICKNESS: 1.57/.062 ± 0.15/.006
PLATING: GOLD 30 μ INCHES MIN.
OVER 150 μ INCHES NICKEL.



PCB LAYOUT: COMPONENT SIDE
SEE SHT 1 FOR DIMENSIONS



SECTION Z-Z
SCALE 4:1

UPDATE LOGO EC NO: S2016-1044 2016/05/18 DRW:ALIN06 2016/06/03 CHKD:JZENG APPR:KHLIM 2016/06/10	QUALITY SYMBOLS DESCRIPTION REV	GENERAL TOLERANCES (UNLESS SPECIFIED)		DIMENSION STYLE MM/IN	SCALE 2:1	DESIGN UNITS METRIC	THIRD ANGLE PROJECTION		
		4 PLACES ± --- ± --- 3 PLACES ± --- ±.010 2 PLACES ± 0.25 ± --- 1 PLACE ± --- ± ---	mm INCH ± --- ± --- ±.010 ± --- ± 0.25 ± --- ± --- ± ---	DRAWN BY MKARADIMAS	DATE 2007/07/18	TITLE LPH VERTICAL RECEPTACLE COMPLIANT PIN ASSEMBLY 14CKT PWR CON, PRESS FIT			
		ANGULAR ±1/2°		CHECKED BY APATEL	DATE 2007/07/20	APPROVED BY JCOMERC I	DATE 2009/12/03	MATERIAL NO. SEE CHART	DOCUMENT NO. SD-46114-140
		DRAFT WHERE APPLICABLE MUST REMAIN WITHIN DIMENSIONS		SIZE C	THIS DRAWING CONTAINS INFORMATION THAT IS PROPRIETARY TO MOLEX INCORPORATED AND SHOULD NOT BE USED WITHOUT WRITTEN PERMISSION				