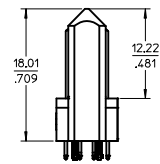
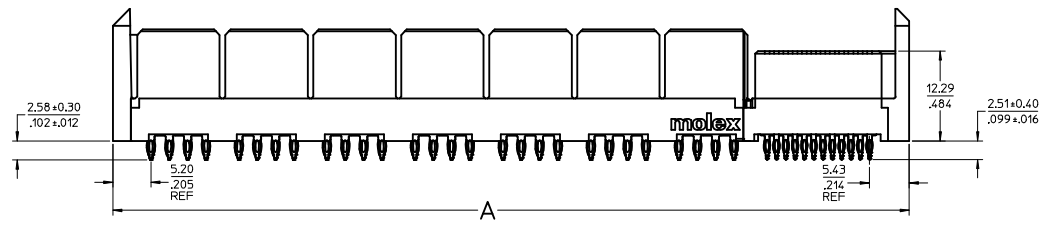
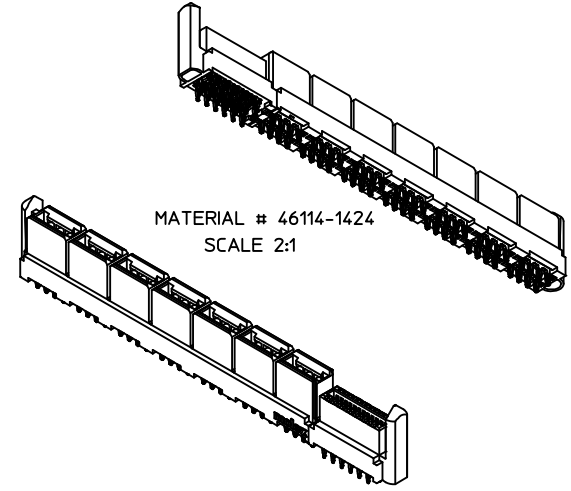
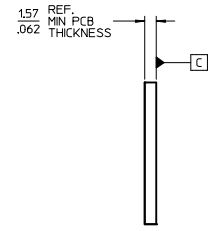
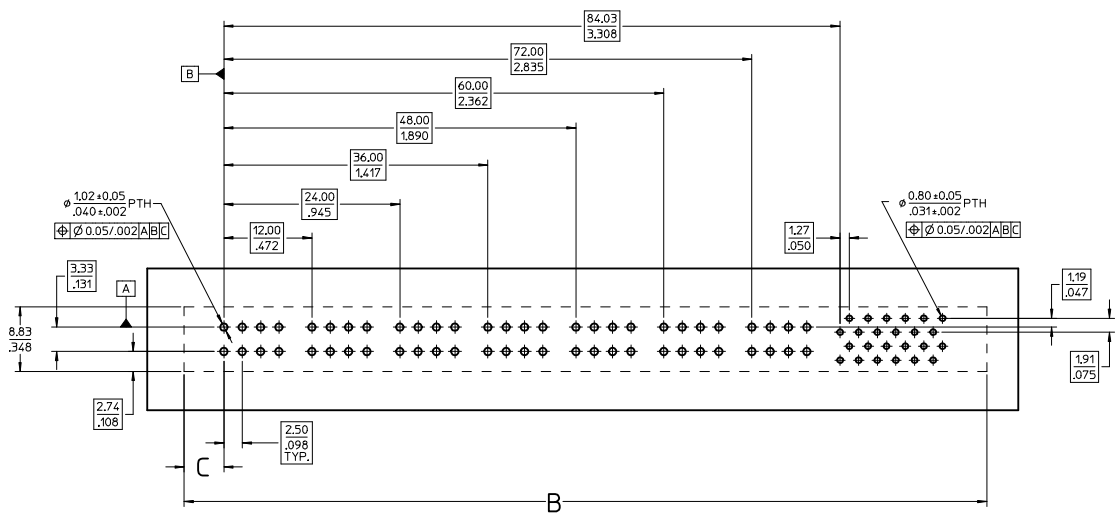


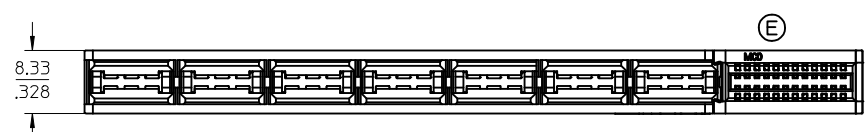
NO OF SIGNALS	MATERIAL NUMBER	COMPLIANT PIN PLATING	DM A	DM B	DM C
12	46114-1412	TIN	101.01/3.977	101.51/3.996	5.45/215
16	46114-1416	TIN	103.55/4.077	104.05/4.096	
20	46114-1420	TIN	106.09/4.177	106.59/4.196	
24	46114-1424	TIN	108.63/4.277	109.13/4.296	
28	46114-1428	TIN	111.17/4.377	111.67/4.396	
32	46114-1432	TIN	113.71/4.477	114.21/4.496	
36	46114-1436	TIN	116.25/4.577	116.75/4.596	
40	46114-1440	TIN	118.79/4.677	119.29/4.696	



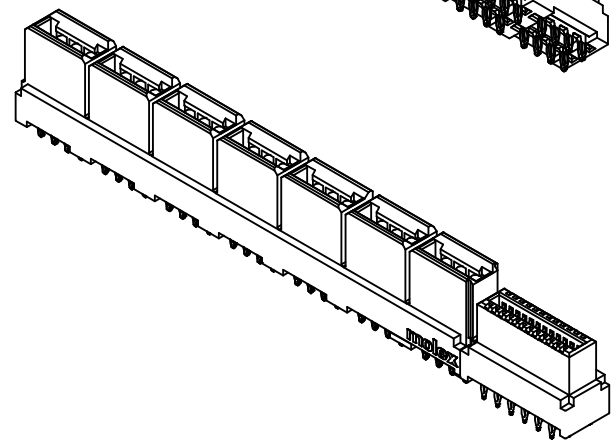
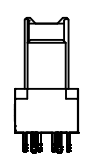
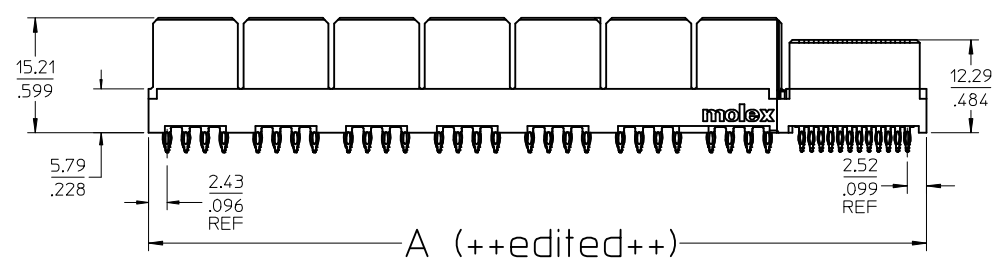
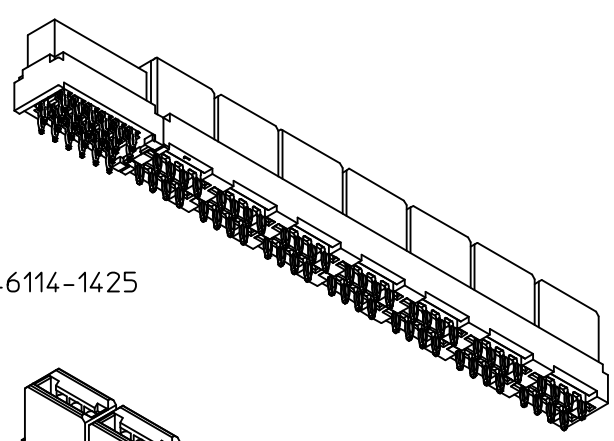
- NOTES:
1. MATERIAL: HOUSING: LCP, 94-VO, COLOR: BLACK. POWER CONTACTS: COPPER ALLOY. SIGNAL CONTACTS: MODIFIED TIN BRASS.
 2. FINISH: SELECT GOLD - 0.75 μ M/30 μ INCHES. SELECTED TIN - 2.50 μ M/100 μ INCHES. BOTH OVER NICKEL - 1.25 μ M/50 μ INCHES. POWER TERMINALS ARE LUBRICATED IN CONTACT AREA.
 3. PARTS ARE RoHS COMPLIANT.
 4. PARTS ARE RoHS COMPLIANT.
 5. MATES TO MOLEX P/N 45985-SERIES OR EDGE CARD 1571.062.
 6. PRODUCT SPECIFICATION PS-46114-001.
 7. PACKAGING: PER PK-46114-003.



UPDATE LOGO EC NO: S2016-1044 DRAWN: IN06 CHKD: JZNG APPR: KHLIM	QUALITY SYMBOLS	GENERAL TOLERANCES (UNLESS SPECIFIED)		DIMENSION STYLE		SCALE 2:1	DESIGN UNITS METRIC	THIRD ANGLE PROJECTION	
		mm	INCH	MM/IN	DATE				
DESCRIPTION	4 PLACES	± .010	± .010	DATE	2007/07/18	DRAWN BY MKARADI MAS	TITLE LPH VERTICAL RECEPTACLE COMPLIANT PIN ASSEMBLY 14CKT PWR CON, PRESS FIT	DRAWN BY DATE	
	3 PLACES	± .010	± .010	DATE	2007/07/120				APPROVED BY DATE
	2 PLACES	± 0.25	± .010	DATE	2009/12/03				
	1 PLACE	± .010	± .010	DATE	2009/12/03				DATE
		ANGULAR ±1/2°		MATERIAL NO.		MOLEX INCORPORATED		DOCUMENT NO.	
		DRAFT WHERE APPLICABLE MUST REMAIN WITHIN DIMENSIONS		SEE CHART		SD-46114-140		SHEET NO. 1 OF 3	
		THIS DRAWING CONTAINS INFORMATION THAT IS PROPRIETARY TO MOLEX INCORPORATED AND SHOULD NOT BE USED WITHOUT WRITTEN PERMISSION							



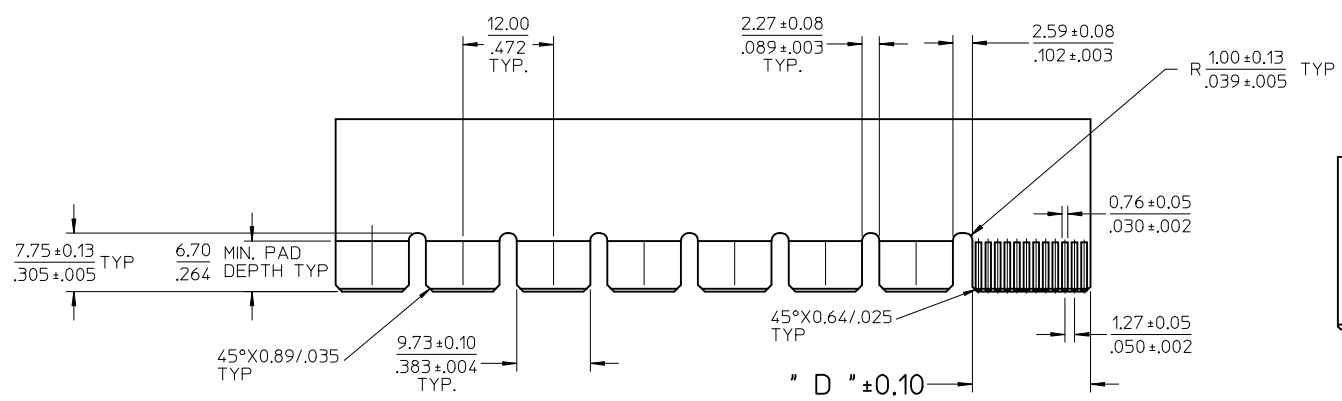
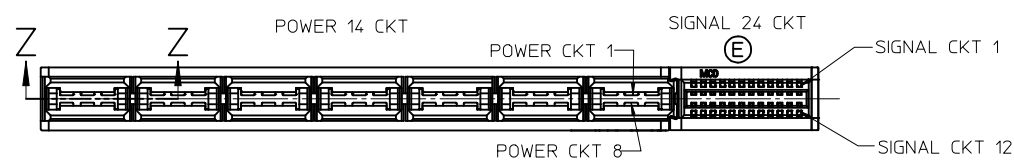
MATERIAL # 46114-1425
SHOWN



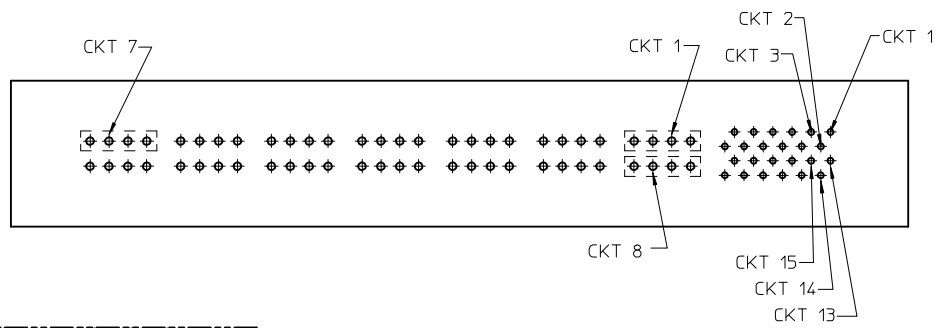
NO OF SIGNALS	MATERIAL NUMBER	COMPLIANT PIN PLATING	DIM A	DIM B	DIM C
12	46114-1413	TIN	95.34/3.754	95.84/3.773	2.69/1.06
16	46114-1417	TIN	97.88/3.854	98.38/3.873	
20	46114-1421	TIN	100.42/3.954	100.92/3.973	
24	46114-1425	TIN	102.96/4.054	103.46/4.073	
28	46114-1429	TIN	105.50/4.154	106.00/4.173	
32	46114-1433	TIN	108.04/4.254	108.54/4.273	
36	46114-1437	TIN	110.58/4.354	111.04/4.373	
40	46114-1441	TIN	113.12/4.454	113.62/4.473	

UPDATE LOGO EC NO: S2016-1044 DRW: NALIN06 2016/05/18 CHKD: JZENG 2016/06/03 APPR: KHLIM 2016/06/10	QUALITY SYMBOLS DESCRIPTION	GENERAL TOLERANCES (UNLESS SPECIFIED)		DIMENSION STYLE MM/IN	SCALE 2:1	DESIGN UNITS METRIC	THIRD ANGLE PROJECTION
		4 PLACES ± --- ± --- 3 PLACES ± --- ± .010 2 PLACES ± 0.25 ± --- 1 PLACE ± --- ± ---	DRAWN BY MKARADIMAS	DATE 2007/07/18	TITLE LPH VERTICAL RECEPTACLE COMPLIANT PIN ASSEMBLY 14CKT PWR CON, PRESS FIT		
		ANGULAR ± 1/2°	CHECKED BY APATEL	DATE 2007/07/20	MOLEX INCORPORATED		
		DRAFT WHERE APPLICABLE MUST REMAIN WITHIN DIMENSIONS	APPROVED BY JCOMERC I	DATE 2009/12/03	SEE CHART SD-46114-140		
		MATERIAL NO. SEE CHART	DOCUMENT NO. SD-46114-140	SHEET NO. 2 OF 3			

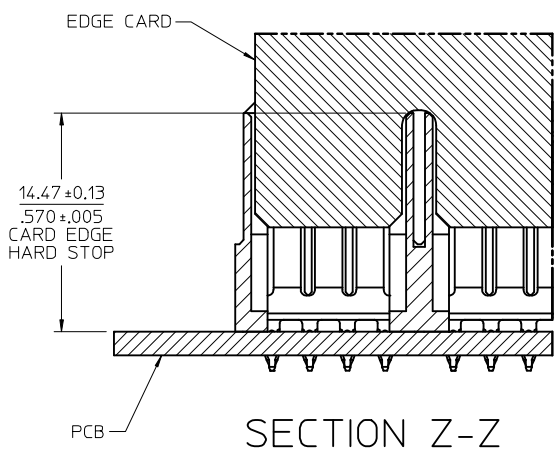
NO OF SIGNAL	DIM. D
12	8.00/.315
16	10.54/.415
20	13.08/.515
24	15.62/.615
28	18.16/.715
32	20.70/.815
36	23.24/.915
40	25.78/1.015



RECOMMENDED EDGE CARD LAYOUT
EDGE CARD THICKNESS: 1.57/.062 ± 0.15/.006
PLATING: GOLD 30 μ INCHES MIN.
OVER 150 μ INCHES NICKEL.



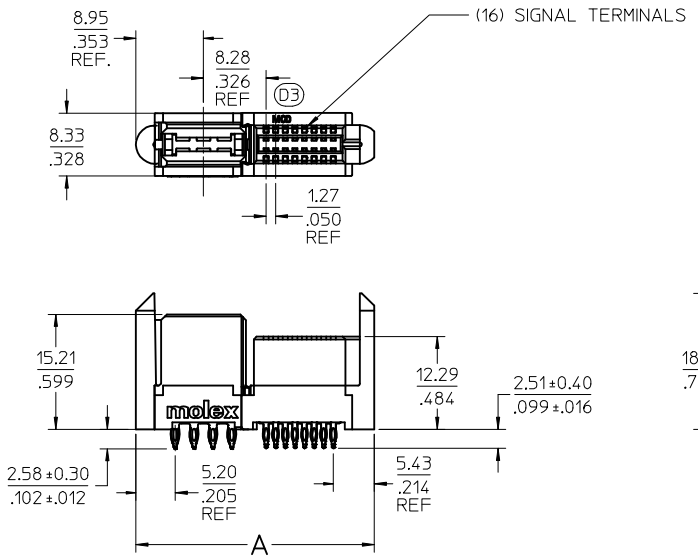
PCB LAYOUT: COMPONENT SIDE
SEE SHT 1 FOR DIMENSIONS



SECTION Z-Z
SCALE 4:1

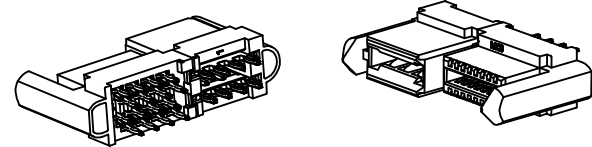
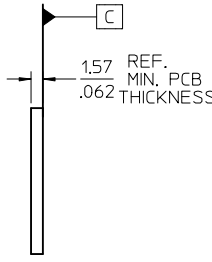
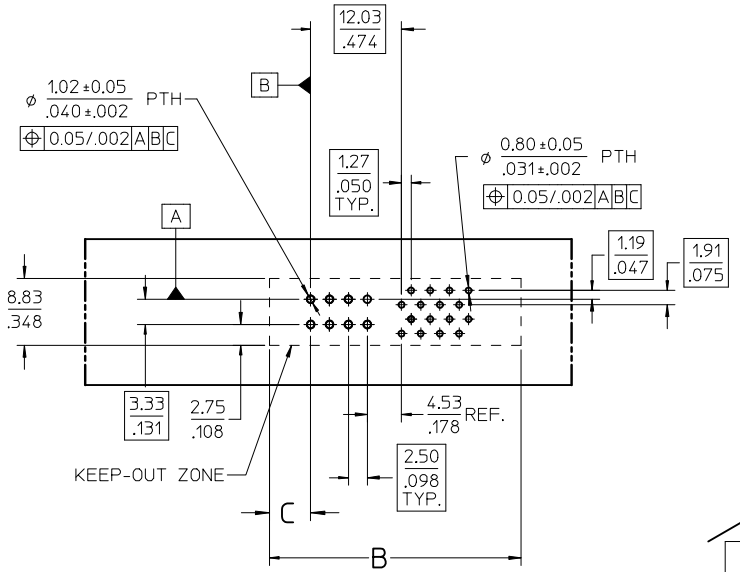
UPDATE LOGO EC NO: S2016-1044 2016/05/18 DRW:ALIN06 2016/06/03 CHKD:JZENG APPR:KHLIM 2016/06/10	QUALITY SYMBOLS DESCRIPTION REV	GENERAL TOLERANCES (UNLESS SPECIFIED)		DIMENSION STYLE MM/IN	SCALE 2:1	DESIGN UNITS METRIC	THIRD ANGLE PROJECTION	
		4 PLACES ± --- ± --- 3 PLACES ± --- ± .010 2 PLACES ± 0.25 ± --- 1 PLACE ± --- ± ---	mm INCH ± --- ± --- ± .010 ± --- ± 0.25 ± --- ± --- ± ---	DRAWN BY MKARADIMAS	DATE 2007/07/18	TITLE LPH VERTICAL RECEPTACLE COMPLIANT PIN ASSEMBLY 14CKT PWR CON, PRESS FIT		
		ANGULAR ±1/2°		CHECKED BY APATEL	DATE 2007/07/20	APPROVED BY JCOMERC I	DATE 2009/12/03	MOLEX MOLEX INCORPORATED
		DRAFT WHERE APPLICABLE MUST REMAIN WITHIN DIMENSIONS		MATERIAL NO. SEE CHART	DOCUMENT NO. SD-46114-140	SHEET NO. 3 OF 3		

THIS DRAWING CONTAINS INFORMATION THAT IS PROPRIETARY TO MOLEX INCORPORATED AND SHOULD NOT BE USED WITHOUT WRITTEN PERMISSION



NO OF SIGNALS	MATERIAL NUMBER	COMPLIANT PIN PLATING	DIM A	DIM B	DIM C
12	46114-2120	TIN	29.01/1.142	29.51/1.162	5.45/.215
16	46114-2160	TIN	31.55/1.242	32.05/1.262	
20	46114-2200	TIN	34.09/1.342	34.59/1.362	
24	46114-2240	TIN	36.63/1.442	37.13/1.462	
28	46114-2280	TIN	39.17/1.542	39.67/1.562	
32	46114-2320	TIN	41.71/1.642	42.21/1.662	
36	46114-2360	TIN	44.25/1.742	44.75/1.762	
40	46114-2400	TIN	46.79/1.842	47.29/1.862	

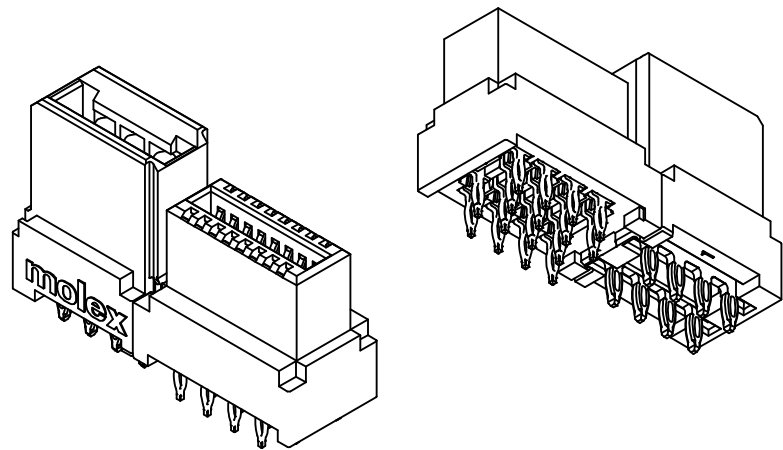
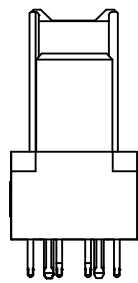
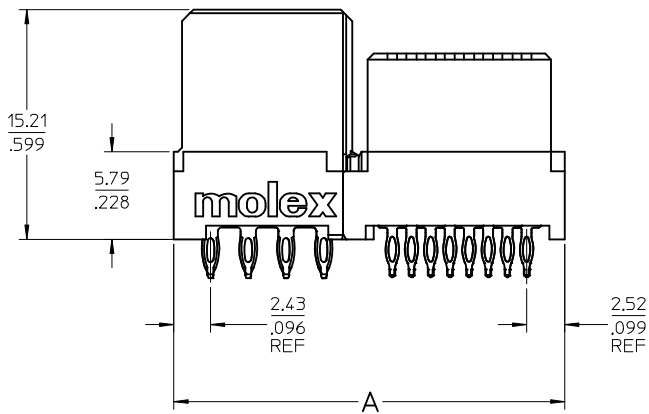
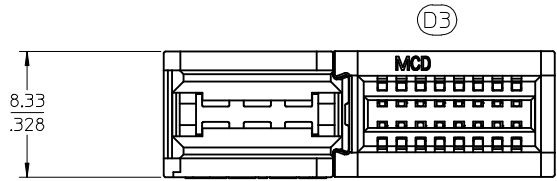
- NOTES:
- MATERIAL: HOUSING: LCP, 94-VO, COLOR: BLACK. POWER CONTACTS: COPPER ALLOY. SIGNAL CONTACTS: MODIFIED TIN BRASS.
 - FINISH: SELECT GOLD - 0.75 μ M/30 μ INCHES. SELECTED TIN - 2.50 μ M/100 μ INCHES. BOTH OVER NICKEL - 1.25 μ M/50 μ INCHES.
 - POWER TERMINALS ARE LUBRICATED IN CONTACT AREA.
 - PARTS ARE RoHS COMPLIANT.
 - MATES TO MOLEX P/N 45985-SERIES OR CARD EDGE 157/.062.
 - PRODUCT SPECIFICATION PS-46114-001.
 - PACKAGING: PER PK-46114-003.



MATERIAL # 46114-2160 SHOWN

UPDATE LOGO EC NO: S2016-1044 DRWNLIN06 2016/05/18 CHKD:JZENG 2016/06/03 APPR:KHLIM 2016/06/10 REV: D3	QUALITY SYMBOLS	GENERAL TOLERANCES (UNLESS SPECIFIED)	DIMENSION STYLE MM/IN	SCALE 2:1	DESIGN UNITS METRIC	THIRD ANGLE PROJECTION																											
		<table border="1"> <tr> <th></th> <th>mm</th> <th>INCH</th> </tr> <tr> <td>4 PLACES ±</td> <td>---</td> <td>---</td> </tr> <tr> <td>3 PLACES ±</td> <td>---</td> <td>±.010</td> </tr> <tr> <td>2 PLACES ±</td> <td>0.25</td> <td>---</td> </tr> <tr> <td>1 PLACE ±</td> <td>---</td> <td>---</td> </tr> </table>		mm	INCH	4 PLACES ±	---	---	3 PLACES ±	---	±.010	2 PLACES ±	0.25	---	1 PLACE ±	---	---	<table border="1"> <tr> <th>DRAWN BY</th> <th>DATE</th> </tr> <tr> <td>MKARADIMAS</td> <td>07/23/07</td> </tr> <tr> <th>CHECKED BY</th> <th>DATE</th> </tr> <tr> <td>APATEL</td> <td>07/25/07</td> </tr> <tr> <th>APPROVED BY</th> <th>DATE</th> </tr> <tr> <td>JCOMERC I</td> <td>2009/12/03</td> </tr> </table>	DRAWN BY	DATE	MKARADIMAS	07/23/07	CHECKED BY	DATE	APATEL	07/25/07	APPROVED BY	DATE	JCOMERC I	2009/12/03	TITLE LPH VERTICAL RECEPTACLE ASSEMBLY 2 CIRCUIT PWR CONNECTOR, PRESS FIT		
		mm	INCH																														
	4 PLACES ±	---	---																														
3 PLACES ±	---	±.010																															
2 PLACES ±	0.25	---																															
1 PLACE ±	---	---																															
DRAWN BY	DATE																																
MKARADIMAS	07/23/07																																
CHECKED BY	DATE																																
APATEL	07/25/07																																
APPROVED BY	DATE																																
JCOMERC I	2009/12/03																																
		DRAFT WHERE APPLICABLE MUST REMAIN WITHIN DIMENSIONS	MATERIAL NO. SEE CHART	DOCUMENT NO. SD-46114-200	SHEET NO. 1 OF 3																												

THIS DRAWING CONTAINS INFORMATION THAT IS PROPRIETARY TO MOLEX INCORPORATED AND SHOULD NOT BE USED WITHOUT WRITTEN PERMISSION

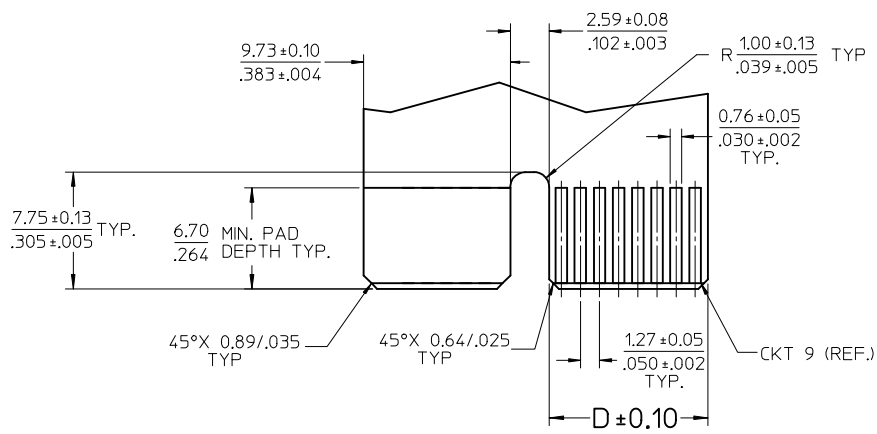
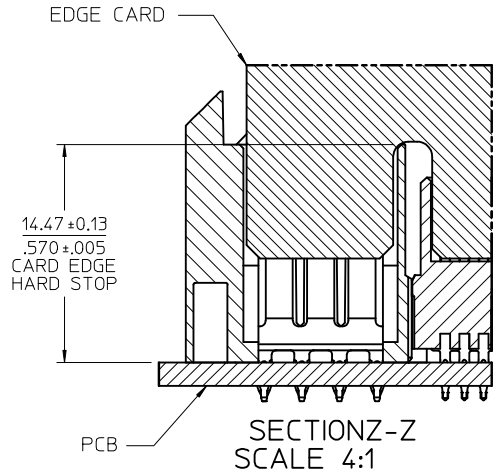
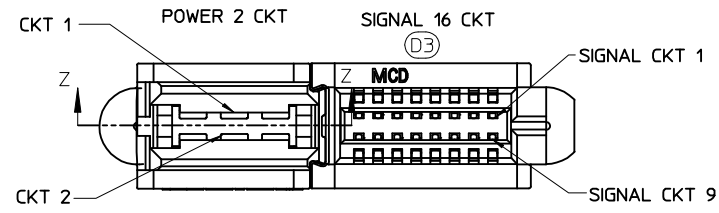


MATERIAL # 46114-2161 SHOWN

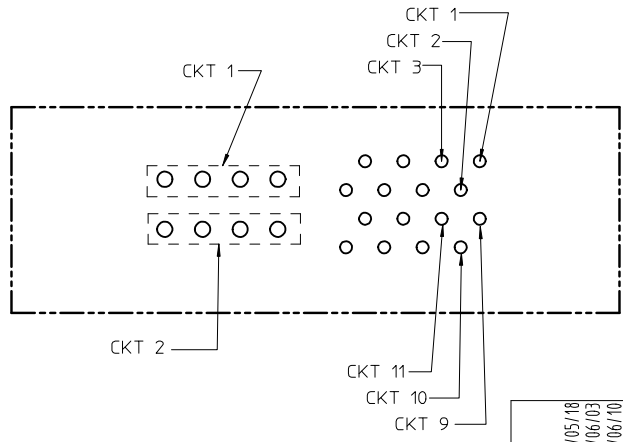
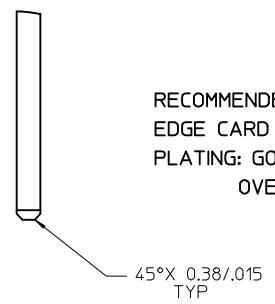
NO OF SIGNALS	MATERIAL NUMBER	COMPLIANT PIN PLATING	DIM A	DIM B	DIM C
12	46114-2121	TIN	23.34/1.919	23.88/1.940	2.69/106
16	46114-2161	TIN	25.88/1.019	26.42/1.040	
20	46114-2201	TIN	28.42/1.119	28.96/1.140	
24	46114-2241	TIN	30.96/1.219	31.50/1.240	
28	46114-2281	TIN	33.50/1.319	34.04/1.340	
32	46114-2321	TIN	36.04/1.419	36.58/1.440	
36	46114-2361	TIN	38.58/1.519	39.12/1.540	
40	46114-2401	TIN	41.12/1.619	41.66/1.640	

UPDATE LOGO EC NO: S2016-10044 2016/05/18 DRW: NALIN06 2016/06/03 CHKD: JZENG APPR: KHLIM 2016/06/10	DESCRIPTION D3	QUALITY SYMBOLS	GENERAL TOLERANCES (UNLESS SPECIFIED)	DIMENSION STYLE MM/IN	SCALE 2:1	DESIGN UNITS METRIC	THIRD ANGLE PROJECTION
			4 PLACES ± --- ± --- 3 PLACES ± --- ± .010 2 PLACES ± 0.25 ± --- 1 PLACE ± --- ± ---	DRAWN BY: MKARADIMAS DATE: 07/23/07 CHECKED BY: APATEL DATE: 07/25/07 APPROVED BY: JCOMERCI DATE: 2009/12/03	TITLE LPH VERTICAL RECEPTACLE ASSEMBLY 2 CIRCUIT PWR CONNECTOR, PRESS FIT		
			ANGULAR ±1/2°	MATERIAL NO. SEE CHART	MOLEX INCORPORATED DOCUMENT NO. SD-46114-200		
			DRAFT WHERE APPLICABLE MUST REMAIN WITHIN DIMENSIONS	SIZE C	SHEET NO. 2 3 THIS DRAWING CONTAINS INFORMATION THAT IS PROPRIETARY TO MOLEX INCORPORATED AND SHOULD NOT BE USED WITHOUT WRITTEN PERMISSION		

NO OF SIGNAL	DIM. D
12	8.00/.315
16	10.54/.415
20	13.08/.515
24	15.62/.615
28	18.16/.715
32	20.70/.815
36	23.24/.915
40	25.78/1.015



RECOMMENDED EDGE CARD LAYOUT
 EDGE CARD THICKNESS: 1.57/.062 ± 0.15/.006
 PLATING: GOLD 30 μ INCHES MIN.
 OVER 150 μ INCHES NICKEL.



PCB LAYOUT: COMPONENT SIDE
 SEE SHT 1 FOR DIMENSIONS.

UPDATE LOGO IEC NO: S2006/04/15 DRWN: ALI06 CHKD: JZENG APPR: KHLIM 2016/05/18 2016/06/03 2016/06/10	DESCRIPTION D3	GENERAL TOLERANCES (UNLESS SPECIFIED)		DIMENSION STYLE MM/IN		SCALE 4:1	DESIGN UNITS METRIC	THIRD ANGLE PROJECTION				
		4 PLACES ± --- ± ---	3 PLACES ± --- ± .010	2 PLACES ± .25 ± ---	1 PLACE ± --- ± ---	ANGULAR ± 1/2°	DRAWN BY MKARADIMAS	DATE 07/23/07	CHECKED BY APATEL	DATE 07/25/07	APPROVED BY JCOMERC I	DATE 2009/12/03
		DRAFT WHERE APPLICABLE MUST REMAIN WITHIN DIMENSIONS		SEE CHART		MATERIAL NO.	MOLEX INCORPORATED		DOCUMENT NO. SD-46114-200		SHEET NO. 3 OF 3	
		THIS DRAWING CONTAINS INFORMATION THAT IS PROPRIETARY TO MOLEX INCORPORATED AND SHOULD NOT BE USED WITHOUT WRITTEN PERMISSION										