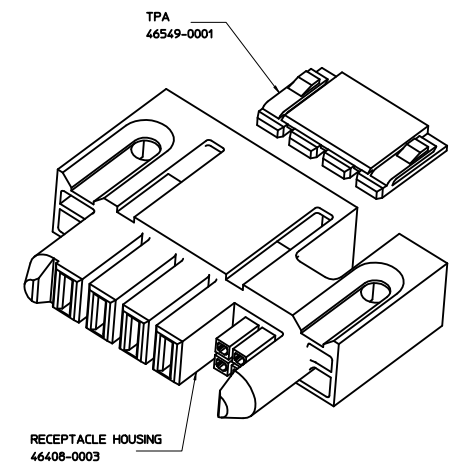
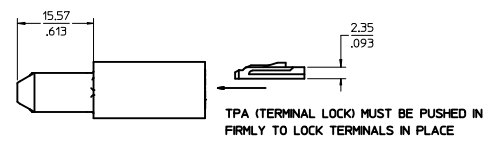
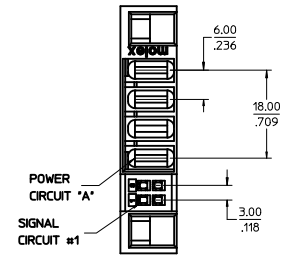
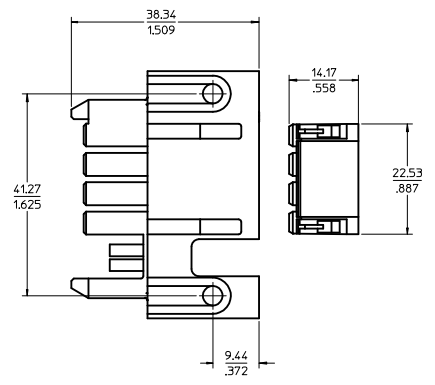
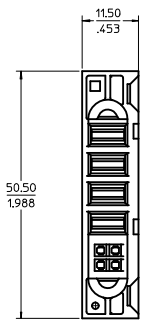


KIT PART NUMBER	HOUSING No.	TPA No.
46408-1200	46408-0003	46549-0001

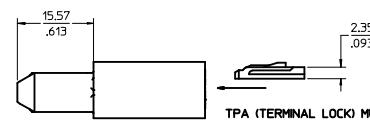
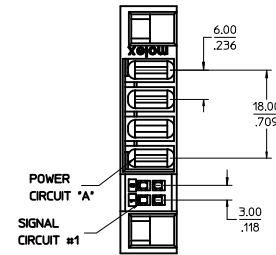
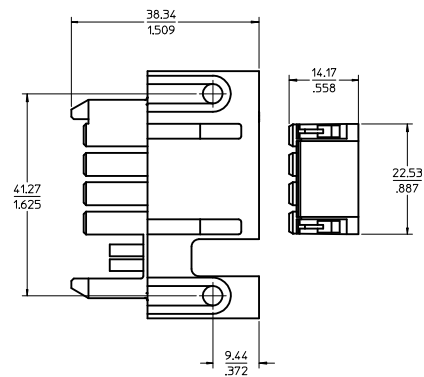
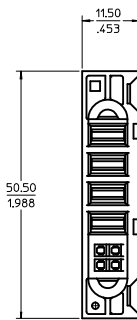


REPLACING PART NO.
46408-0001

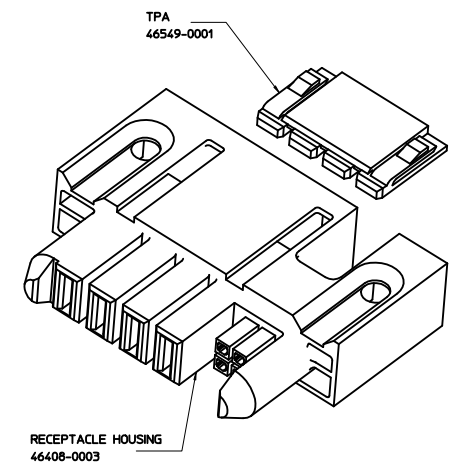
- NOTES:
1. MATERIAL: PBT OR EQUIVALENT, 94V-0. COLOR: BLACK.
 2. HOUSING ACCEPTS MOLEX TERMINALS: 44262-4532 (POWER) AND 43030-0001 (SIGNAL). NOT SHOWN. SOLD SEPARATELY
 3. HOUSING DESIGNED FOR M3.5 FLAT HEAD SCREWS SUPPLIED BY CUSTOMER.
 4. RECEPTACLE MATES WITH PLUG HOUSING 46409-0003.
 5. RECEPTACLE REQUIRES INCLUDED POWER TERMINAL LOCK (TPA) 46549-0001, ALSO AVAILABLE SEPARATELY.
 6. HOUSING AND ASSOCIATED COMPONENTS ARE ROHS COMPLIANT.
 7. PACKAGED PER MOLEX PACKAGING SPEC: PK-46408-***

REV	DESCRIPTION	QUALITY SYMBOLS	GENERAL TOLERANCES (UNLESS SPECIFIED)		DIMENSION STYLE	SCALE	DESIGN UNITS	THIRD ANGLE PROJECTION
			mm	INCH	MM/IN	1:1	METRIC	☉
4	PLACES	±	---	±	---	SBGIEL	DATE	TITLE
3	PLACES	±	---	±	.010	SBGIEL	DATE	RECEPTACLE HOUSING AND TPA KIT
2	PLACES	±	0.25	±	---	SBGIEL	DATE	4 CKT POWER AND SIGNAL
1	PLACE	±	---	±	---	APATEL	DATE	MOLEX INCORPORATED
			ANGULAR ± 2 °					
DRAFT WHERE APPLICABLE MUST REMAIN WITHIN DIMENSIONS			MATERIAL NO.		DOCUMENT NO.		SHEET NO.	
			46408-1200		SD-46408-1200		1 OF 1	
THIS DRAWING CONTAINS INFORMATION THAT IS PROPRIETARY TO MOLEX INCORPORATED AND SHOULD NOT BE USED WITHOUT WRITTEN PERMISSION								

KIT PART NUMBER	HOUSING No.	TPA No.
46408-1200	46408-0003	46549-0001



TPA (TERMINAL LOCK) MUST BE PUSHED IN FIRMLY TO LOCK TERMINALS IN PLACE



REPLACING PART NO.
46408-0001

- NOTES:
1. MATERIAL: PBT OR EQUIVALENT, 94V-0. COLOR: BLACK.
 2. HOUSING ACCEPTS MOLEX TERMINALS: 44262-4532 (POWER) AND 43030-0001 (SIGNAL). NOT SHOWN. SOLD SEPARATELY
 3. HOUSING DESIGNED FOR M3.5 FLAT HEAD SCREWS SUPPLIED BY CUSTOMER.
 4. RECEPTACLE MATES WITH PLUG HOUSING 46409-0003.
 5. RECEPTACLE REQUIRES INCLUDED POWER TERMINAL LOCK (TPA) 46549-0001, ALSO AVAILABLE SEPARATELY.
 6. HOUSING AND ASSOCIATED COMPONENTS ARE ROHS COMPLIANT.
 7. PACKAGED PER MOLEX PACKAGING SPEC: PK-46408-***

REV	DESCRIPTION	QUALITY SYMBOLS	GENERAL TOLERANCES (UNLESS SPECIFIED)		DIMENSION STYLE	SCALE	DESIGN UNITS	THIRD ANGLE PROJECTION
			mm	INCH	MM/IN	1:1	METRIC	☉
4	PLACES	±	---	±	---	SBGIEL	DATE	RECEPTACLE HOUSING AND TPA KIT 4 CKT POWER AND SIGNAL MOLEX INCORPORATED
3	PLACES	±	---	±	.010	SBGIEL	DATE	
2	PLACES	±	0.25	±	---	SBGIEL	DATE	
1	PLACE	±	---	±	---	APATEL	DATE	
			ANGULAR ± 2 °			APATEL	DATE	
DRAFT WHERE APPLICABLE MUST REMAIN WITHIN DIMENSIONS			MATERIAL NO.		DOCUMENT NO.		SHEET NO.	
			46408-1200		SD-46408-1200		1 OF 1	
<small>THIS DRAWING CONTAINS INFORMATION THAT IS PROPRIETARY TO MOLEX INCORPORATED AND SHOULD NOT BE USED WITHOUT WRITTEN PERMISSION</small>								