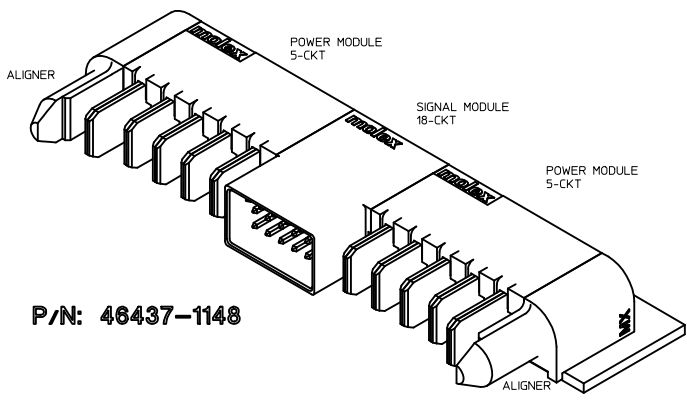
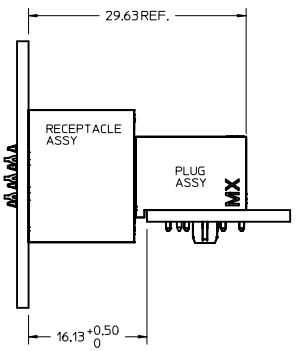
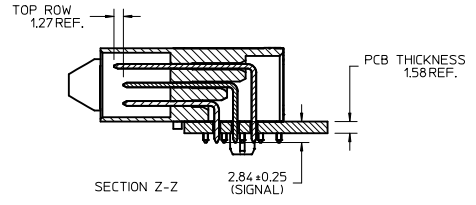
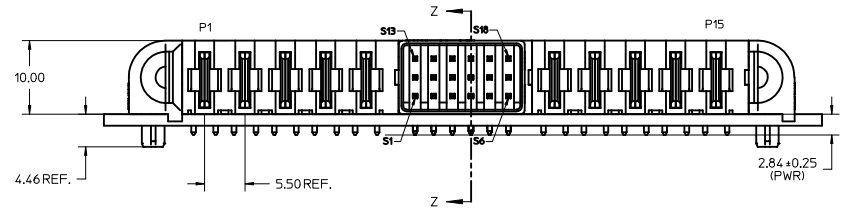


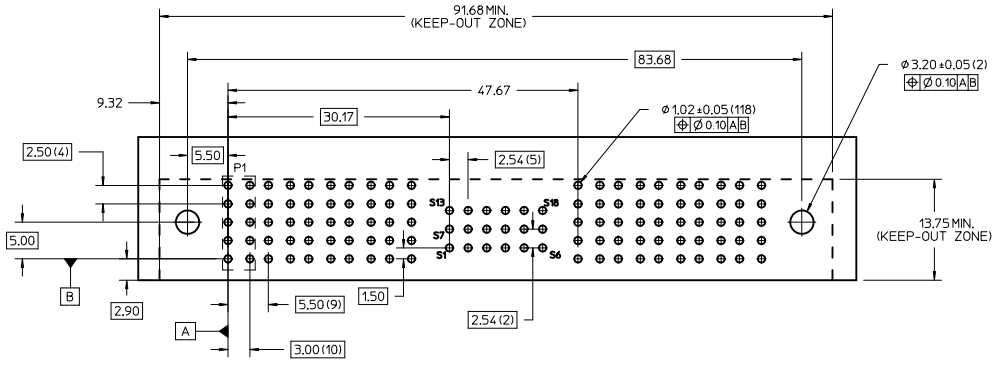
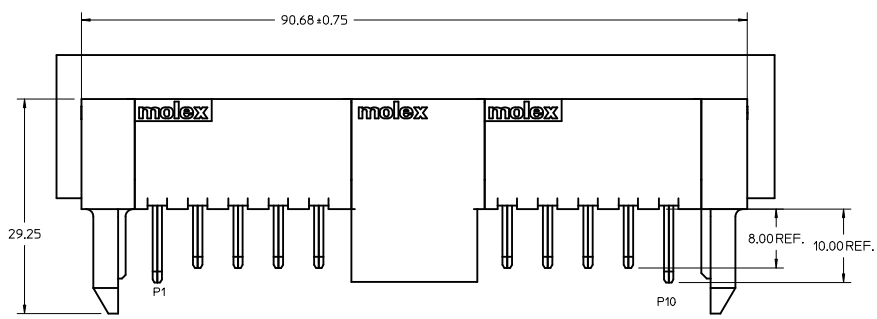
RECOMMENDED PCB LAYOUT AND KEEP-OUT ZONE



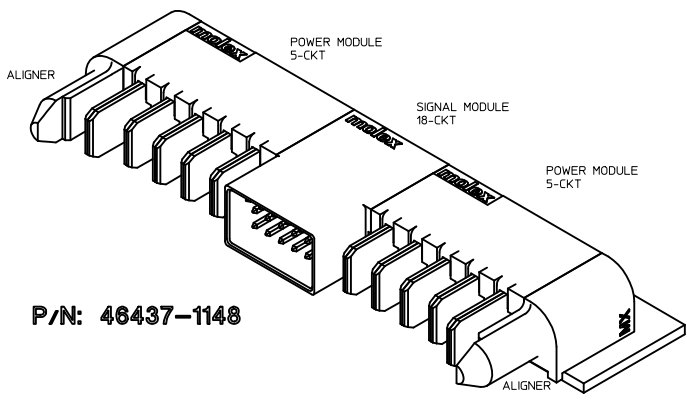
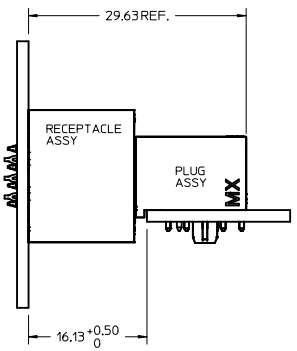
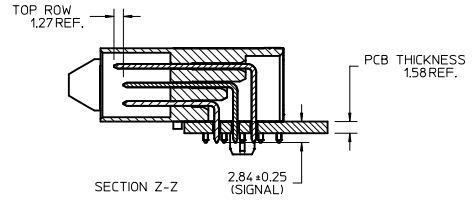
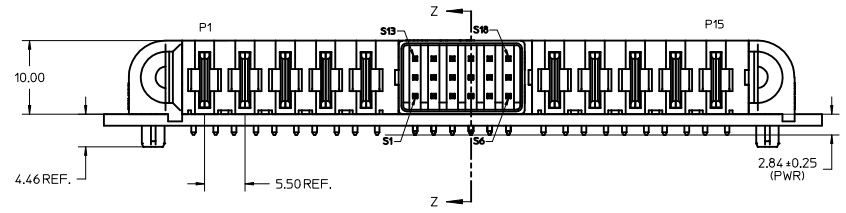
P/N: 46437-1148

- NOTES:
- MATERIAL:
 - HOUSINGS: LCP UL94 V-0, COLOR: BLACK.
 - TERMINALS: COPPER ALLOY.
 - PLATING: 0.000127 NICKEL OVERALL WITH 0.00254 SELECTIVE MATTE TIN ON TAILS AND 0.000762 SELECTIVE GOLD ON CONTACT AREA.
 - PACKAGING ASSEMBLIES TO BE TRAY PACKED, STD. QUANTITY: TBD.
 - PC BOARD REQUIRES SOLDER THRU HOLES, REFER TO PS-46436-100 FOR DETAILS.
 - PRODUCT SPEC: PS-46436-100.
 - APPLICATION SPEC: AS-46436-100.
 - SEE PRODUCT SPEC. FOR RoHS REQUIREMENTS.
 - ASSEMBLY MATES WITH MOLEX RECEPTACLE ASSEMBLY, P/N 46562-1148.

FINAL RELEASE IEC NO: UCP2011-2459 DRWN: JSCHAEFER 2011/02/16 CHKD: [blank] APPR: APATEL 2011/03/03 REV: A	QUALITY SYMBOLS	GENERAL TOLERANCES (UNLESS SPECIFIED)	DIMENSION STYLE	SCALE	DESIGN UNITS	THIRD ANGLE PROJECTION	
		mm INCH	MM ONLY	3:1	METRIC		
		4 PLACES ± --- ± ---	DRAWN BY BKOSTIC DATE 2010/06/02	TITLE			
		3 PLACES ± --- ± ---	CHECKED BY BKOSTIC DATE 2010/06/02	RA PLUG ASSY			
	2 PLACES ± 0.25 ± ---	APPROVED BY APATEL DATE 2011/03/03	SP-18S-5P				
	1 PLACE ± 0.25 ± ---		TEN60 POWER FAMILY				
	ANGULAR ± 1/2°		MOLEX INCORPORATED				
	DRAFT WHERE APPLICABLE MUST REMAIN WITHIN DIMENSIONS	MATERIAL NO. 46437-1148	DOCUMENT NO. SD-46437-1148		SHEET NO. 1 OF 1		
		THIS DRAWING CONTAINS INFORMATION THAT IS PROPRIETARY TO MOLEX INCORPORATED AND SHOULD NOT BE USED WITHOUT WRITTEN PERMISSION					



RECOMMENDED PCB LAYOUT AND KEEP-OUT ZONE



- NOTES:
- MATERIAL:
 - HOUSINGS: LCP UL94 V-0, COLOR: BLACK.
 - TERMINALS: COPPER ALLOY.
 - PLATING: 0.000127 NICKEL OVERALL, WITH 0.00254 SELECTIVE MATTE TIN ON TAILS, AND 0.000762 SELECTIVE GOLD ON CONTACT AREA.
 - PACKAGING ASSEMBLIES TO BE TRAY PACKED, STD. QUANTITY: TBD.
 - PC BOARD REQUIRES SOLDER THRU HOLES, REFER TO PS-46436-100 FOR DETAILS.
 - PRODUCT SPEC: PS-46436-100.
 - APPLICATION SPEC: AS-46436-100.
 - SEE PRODUCT SPEC. FOR RoHS REQUIREMENTS.
 - ASSEMBLY MATES WITH MOLEX RECEPTACLE ASSEMBLY, P/N 46562-1148.

FINAL RELEASE IEC NO: UCP2011-2459 DRWN: JSCHAEF 2011/02/16 CHKD: APPR: APATEL 2011/03/03 REV DESCRIPTION	QUALITY SYMBOLS	GENERAL TOLERANCES (UNLESS SPECIFIED)	DIMENSION STYLE MM ONLY	SCALE 3:1	DESIGN UNITS METRIC	THIRD ANGLE PROJECTION
		mm INCH	DRAWN BY DATE BKOSTIC 2010/06/02	TITLE RA PLUG ASSY		
		4 PLACES ± --- ± ---	CHECKED BY DATE BKOSTIC 2010/06/02	SP-18S-5P		
		3 PLACES ± --- ± ---	APPROVED BY DATE APATEL 2011/03/03	TEN60 POWER FAMILY		
	2 PLACES ± 0.25 ± ---	MATERIAL NO. 46437-1148	MOLEX INCORPORATED			
	1 PLACE ± 0.25 ± ---	DOCUMENT NO. SD-46437-1148	SHEET NO. 1 OF 1			
	ANGULAR ± 1/2°	DRAFT WHERE APPLICABLE MUST REMAIN WITHIN DIMENSIONS				