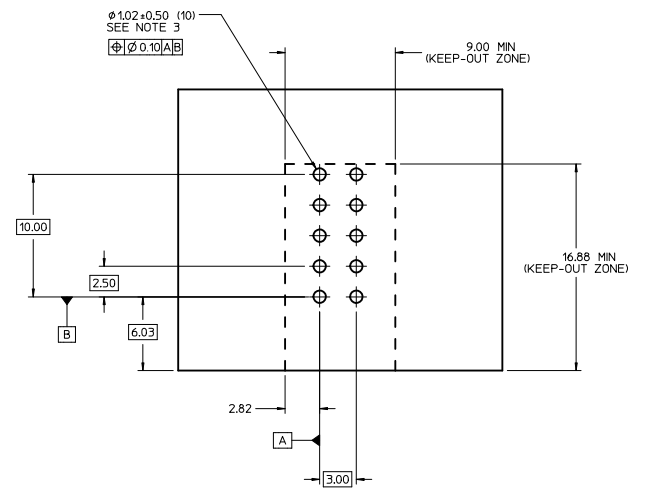
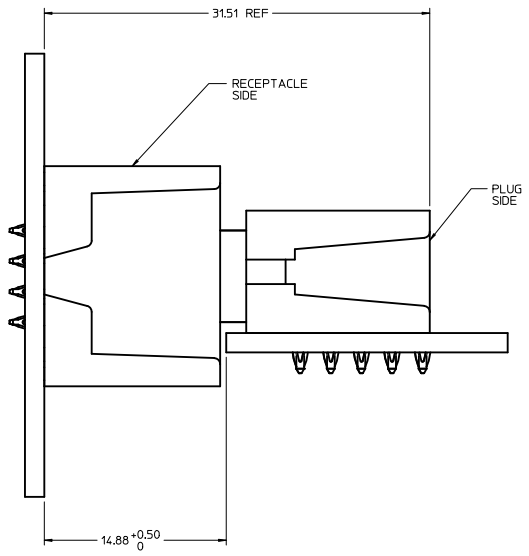


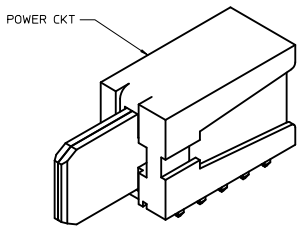
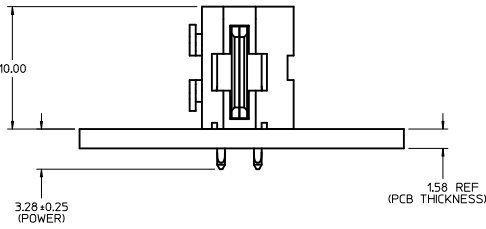
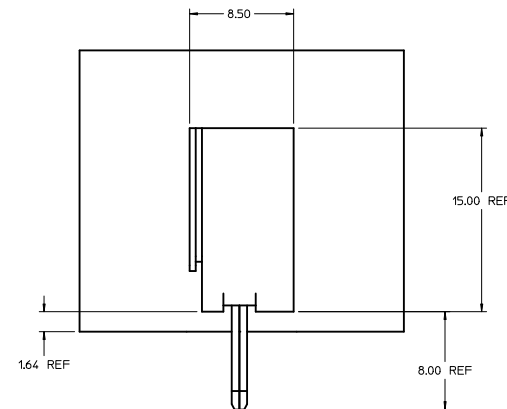
P/N: 46437-1210



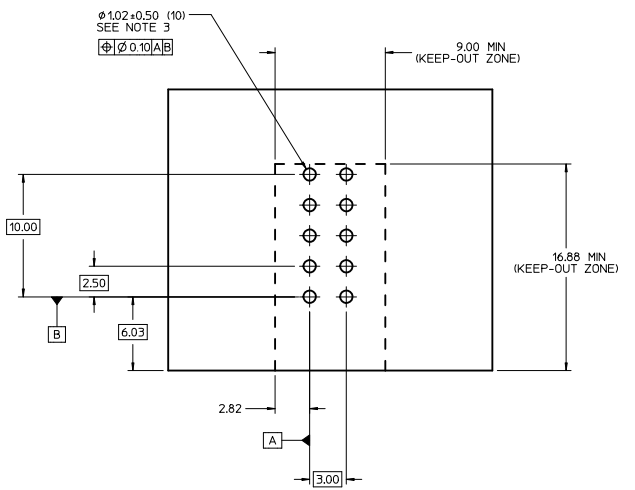
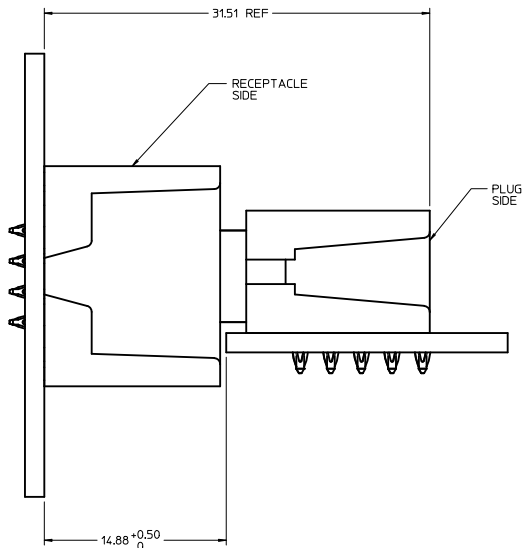
RECOMMENDED PCB LAYOUT AND KEEP-OUT ZONE

- NOTES:
- MATERIAL:
 - HOUSINGS: LCP UL94, V-0, COLOR: BLACK
 - TERMINALS: COPPER ALLOY
 - PLATING: 0.00127 NICKEL OVERALL WITH 0.00254 SELECTIVE MATTE TIN ON SOLDER TAILS AND 0.000762 SELECTIVE GOLD ON CONTACT AREA
 - PACKAGING ASSEMBLIES TO BE TRAY PACKED, STD QTY TBD
 - PC BOARD REQUIRES SOLDER THRU HOLES, REFER TO PS-46436-100 FOR DETAILS
 - PRODUCT SPEC: PS-46436-100
 - APPLICATION SPEC: AS-46436-100
 - SEE PRODUCT SPEC FOR RoHS REQUIREMENTS
 - ASSEMBLY MATES TO MOLEX VERTICAL RECEPTACLE ASSEMBLY P/N: 46562-9001

RELEASED IEC NO: UICP2011-2094 DRAWN: JOULES 2011/01/17 CHECKED: BKOSTIC 2011/01/17 APPROVED: APATEL 2011/01/31	QUALITY SYMBOLS	GENERAL TOLERANCES (UNLESS SPECIFIED)	DIMENSION STYLE	SCALE	DESIGN UNITS	THIRD ANGLE PROJECTION
	▽=0	mm INCH	MM ONLY	5:1	METRIC	
	▽=0	4 PLACES ± --- ± ---	DRAWN BY DATE	TITLE		
	▽=0	3 PLACES ± --- ± ---	JOULES 2011/01/17	PLUG ASSEMBLY		
	2 PLACES ± 0.25 ± ---	CHECKED BY DATE	I CKT PRESSFIT 8MM BLADE			
	1 PLACE ± 0.25 ± ---	APPROVED BY DATE	TEN60 POWER FAMILY			
	ANGULAR ± 1/2°	APATEL 2011/01/31	MOLEX INCORPORATED			
	DRAFT WHERE APPLICABLE MUST REMAIN WITHIN DIMENSIONS	MATERIAL NO.	DOCUMENT NO.	SHEET NO.		
		46437-1210	SD-46437-1210	1 OF 1		
		THIS DRAWING CONTAINS INFORMATION THAT IS PROPRIETARY TO MOLEX INCORPORATED AND SHOULD NOT BE USED WITHOUT WRITTEN PERMISSION				



P/N: 46437-1210



RECOMMENDED PCB LAYOUT AND KEEP-OUT ZONE

- NOTES:
- MATERIAL:
 - HOUSINGS: LCP UL94, V-0, COLOR: BLACK
 - TERMINALS: COPPER ALLOY
 - PLATING: 0.00127 NICKEL OVERALL WITH 0.00254 SELECTIVE MATTE TIN ON SOLDER TAILS AND 0.000762 SELECTIVE GOLD ON CONTACT AREA
 - PACKAGING ASSEMBLIES TO BE TRAY PACKED, STD QTY TBD
 - PC BOARD REQUIRES SOLDER THRU HOLES, REFER TO PS-46436-100 FOR DETAILS
 - PRODUCT SPEC: PS-46436-100
 - APPLICATION SPEC: AS-46436-100
 - SEE PRODUCT SPEC FOR RoHS REQUIREMENTS
 - ASSEMBLY MATES TO MOLEX VERTICAL RECEPTACLE ASSEMBLY P/N: 46562-9001

RELEASED IEC NO: UICP2011-2094 DRAWN: JUILLES 2011/01/17 CHECKED: BKOSTIC 2011/01/17 APPROVED: APATEL 2011/01/31	QUALITY SYMBOLS	GENERAL TOLERANCES (UNLESS SPECIFIED)	DIMENSION STYLE	SCALE	DESIGN UNITS	THIRD ANGLE PROJECTION	
	▽=0	mm INCH	MM ONLY	5:1	METRIC		
	▽=0	4 PLACES ± --- ± ---	DRAWN BY DATE	TITLE			
	▽=0	3 PLACES ± --- ± ---	JUILLES 2011/01/17	PLUG ASSEMBLY			
		2 PLACES ± 0.25 ± ---	CHECKED BY DATE	I CKT PRESSFIT 8MM BLADE			
		1 PLACE ± 0.25 ± ---	BKOSTIC 2011/01/17	TEN60 POWER FAMILY			
		ANGULAR ± 1/2°	APPROVED BY DATE	MOLEX INCORPORATED			
		DRAFT WHERE APPLICABLE MUST REMAIN WITHIN DIMENSIONS	APATEL 2011/01/31	MATERIAL NO.	DOCUMENT NO.	SHEET NO.	
				46437-1210	SD-46437-1210	1 OF 1	
				THIS DRAWING CONTAINS INFORMATION THAT IS PROPRIETARY TO MOLEX INCORPORATED AND SHOULD NOT BE USED WITHOUT WRITTEN PERMISSION			