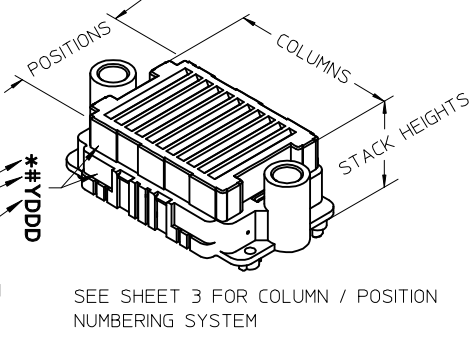


ASSY MACHINE IDENTIFIER
 LEAD CODE:
 0 = TIN/LEAD
 2 = TIN
 DATE CODE:
 YEAR - DAY OF YEAR
 LOCATED APPROX AS SHOWN



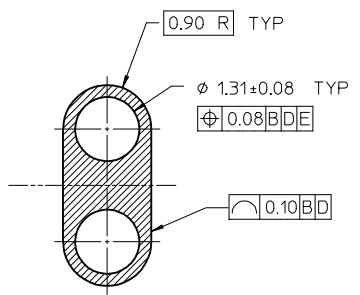
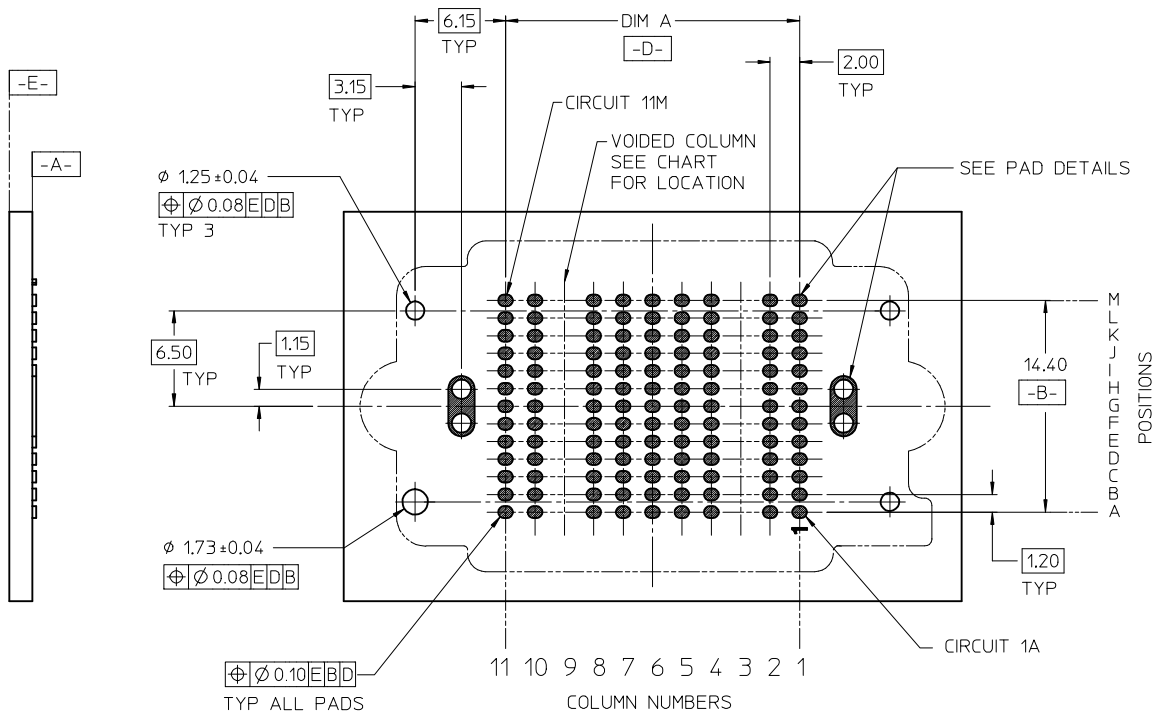
- NOTES:
- HOUSING MATERIAL: LCP, GLASS FILLED, UL 94V-0, BLACK
 CONTACT MATERIAL: HIGH PERFORMANCE ALLOY
 SOLDER NAIL MATL: STAINLESS STEEL
 SOLDER CHARGE MATL: SEE CHART
 - FINISH: SELECT GOLD 30 MI MIN IN CONTACT AREA
 SELECT TIN: 100 MI MIN IN PCB TAIL BOTH OVER NICKEL
 - PRODUCT SPECIFICATION: PS-45802-001
 - COSMETIC SPECIFICATION: PS-45499-002 CLASS B
 - PACKAGING SPECIFICATION: PK-45802-001
 - DATUM -D- IS THE CENTERLINE OF THE 2 END SLOTS. END SLOT CENTERLINES ARE ESTABLISHED USING 2 MEASUREMENTS FOR EACH SLOT TAKEN 7.20 EITHER SIDE OF DATUM -B-.

AVAILABLE STACK HEIGHTS		
STACK HEIGHT	DIM B	DIM C
8mm	10.51	8.90
9mm	11.51	9.90
10mm	12.51	10.90
11mm	13.51	11.90
12mm	14.51	12.90
13mm	15.51	13.90
14mm	16.51	14.90
15mm	17.51	15.90
17mm	19.51	17.90
18mm	20.51	18.90

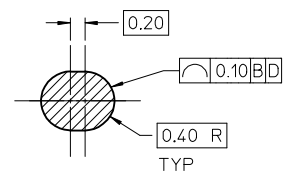
AVAILABLE COLUMNS		
NO OF COLUMNS	DIM A	DIM D
7	12.00	31.89
9	16.00	35.89
11	20.00	39.89
13	24.00	43.89
15	28.00	47.89
17	32.00	51.89
19	36.00	55.89
21	40.00	59.89
23	44.00	63.89
25	48.00	67.89
27	52.00	71.89

MOD LASER MARKING EC NO: UCP2013-3672 DRW:NET IBARRA 2013/03/12 CHKD:BBARKER 2013/03/12 APPR:SMILLER 2013/03/19	QUALITY SYMBOLS F=0 E=0 E=0	GENERAL TOLERANCES (UNLESS SPECIFIED) mm INCH 4 PLACES ± --- ± --- 3 PLACES ± 0.10 ± --- 2 PLACES ± 0.15 ± --- 1 PLACE ± 0.25 ± --- 0 PLACE ± ±	DIMENSION STYLE MM ONLY DRAWN BY DATE RHODGE 2007/05/31 CHECKED BY DATE RHODGE 2007/11/13 APPROVED BY DATE JCOMERC I 2007/11/14	SCALE 2:1 DESIGN UNITS METRIC THIRD ANGLE PROJECTION	TITLE HIGH DENSITY MEZZININE RECEPTACLE ASSEMBLY SELECTIVELY LOADED molex DOCUMENT NO. SD-46553-001 SHEET NO. 1 OF 3
		ANGULAR ±1/2° DRAFT WHERE APPLICABLE MUST REMAIN WITHIN DIMENSIONS	MATERIAL NO. SEE TABLE SIZE B	THIS DRAWING CONTAINS INFORMATION THAT IS PROPRIETARY TO MOLEX INCORPORATED AND SHOULD NOT BE USED WITHOUT WRITTEN PERMISSION	

10 9 8 7 6 5 4 3 2 1



FITTING NAIL PAD DETAIL
SCALE 10:1

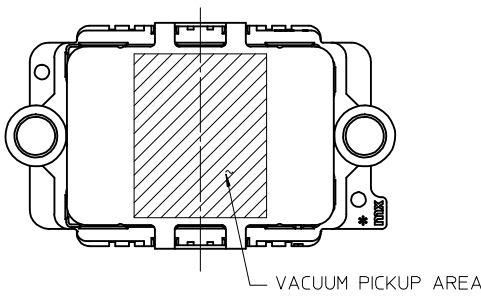


SOLDER TAIL PAD DETAIL
SCALE 15:1

PAD DETAIL NOTES:

1. SOLDER STENCIL TO HAVE OPENING FOR THE FITTING NAIL PADS AND SOLDER TAIL PADS

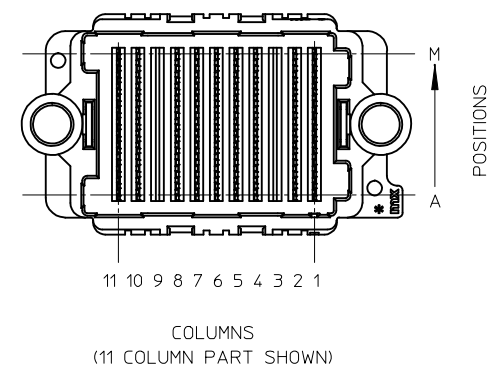
RECOMMENDED PCB LAYOUT: COMPONENT SIDE
PCB THICKNESS: NA
(11 COLUMN PART SHOWN SEE CHART)



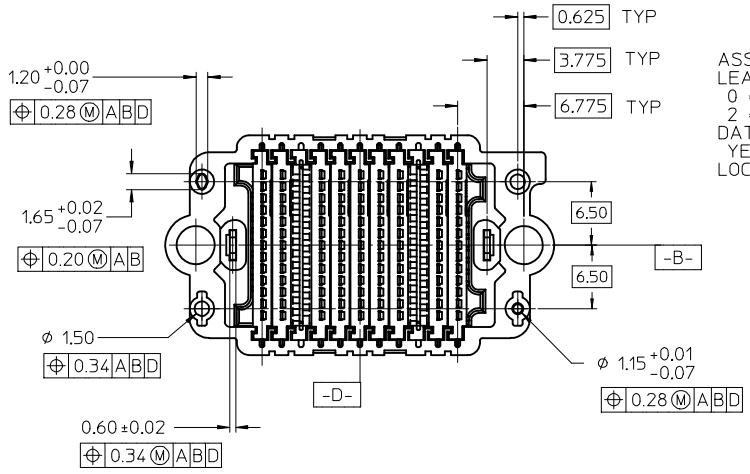
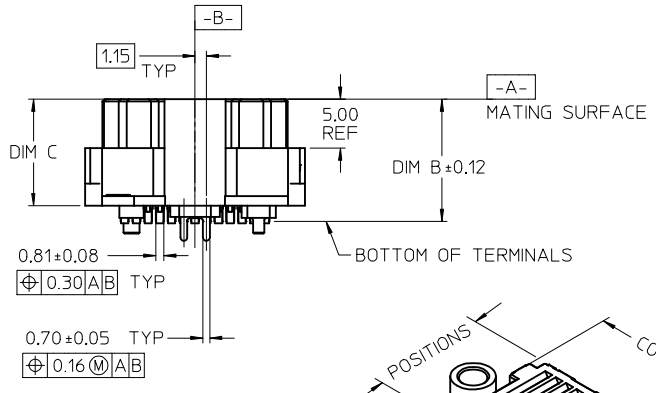
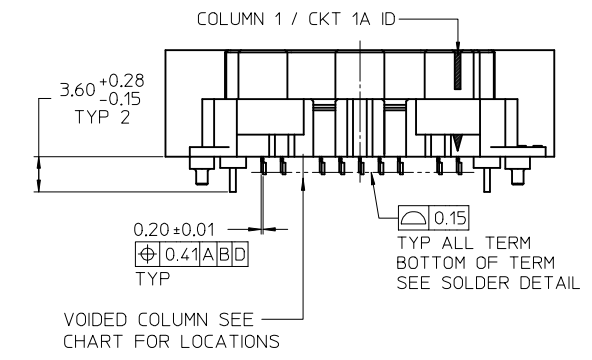
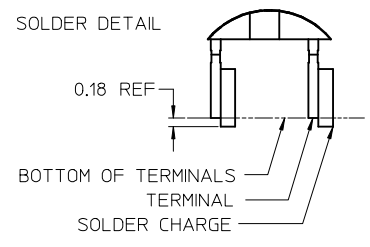
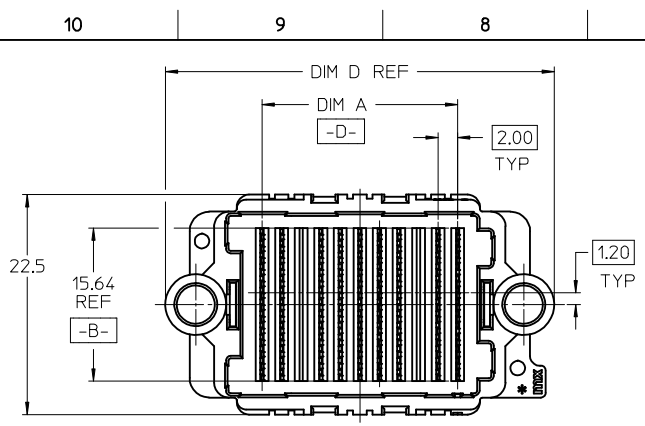
SEE SHEET 1 EC NO: UCP2013-3872 DRAWN: TIBARRA 2013/03/12 CHKD: BBARKER 2013/03/12 APPR: SMILLER 2013/03/19	QUALITY SYMBOLS ▽=0 ▽=0 ▽=0	GENERAL TOLERANCES (UNLESS SPECIFIED)		DIMENSION STYLE MM ONLY		SCALE 3:1	DESIGN UNITS METRIC	THIRD ANGLE PROJECTION	
			mm	INCH	DRAWN BY RHODGE	DATE 2007/05/31	TITLE HIGH DENSITY MEZZININE RECEPTACLE ASSEMBLY SELECTIVELY LOADED molex		
		4 PLACES	± ---	± ---	CHECKED BY RHODGE	DATE 2007/11/13			
			3 PLACES	± 0.10	± ---	APPROVED BY JCOMERCI	DATE 2007/11/14	DOCUMENT NO. SD-46553-001	SHEET NO. 2 OF 3
	2 PLACES	± 0.15	± ---	MATERIAL NO. SEE TABLE		THIS DRAWING CONTAINS INFORMATION THAT IS PROPRIETARY TO MOLEX INCORPORATED AND SHOULD NOT BE USED WITHOUT WRITTEN PERMISSION			
	1 PLACE	± 0.25	± ---	ANGULAR ±1/2° DRAFT WHERE APPLICABLE MUST REMAIN WITHIN DIMENSIONS					
	0 PLACE	±	±	SIZE B					

9 8 7 6 5 4 3 2 1

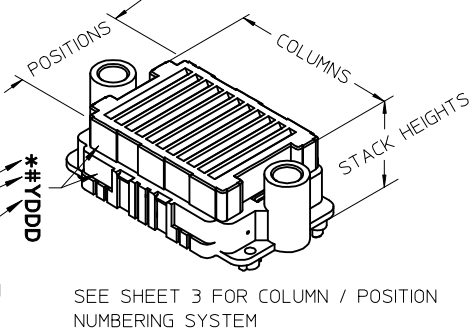
	10	9	8	7	6	5	4	3	2	1
F	MATERIAL NUMBER	STACK HEIGHT	TOTAL COLUMNS	LOADED COLUMNS	AVAILABLE NO OF CKTS	VOIDED COLUMNS	SOLDER MATERIAL	PK-45802-001	STYLE: MM/COLUMNS	
	46553-1200	18mm	11	1,2,4,5,8,9,10,11	104	3,6,7	TIN	18mm / 11 COLUMNS		
	46553-1000	18mm	11	1,2,4,5,8,9,10,11	104	3,6,7	TIN / LEAD	18mm / 11 COLUMNS		
	46553-2200	10mm	07	1,2,4,5,7	65	3,6	TIN	10mm / 7 COLUMNS		
E										
D										
C										
B										



SEE SHEET 1 EC NO: UCP2013-3872 DRAWN: TIBARRA 2013/03/12 CHKD: BBARKER 2013/03/12 APPR: SMILLER 2013/03/19	DESCRIPTION REV	QUALITY SYMBOLS	GENERAL TOLERANCES (UNLESS SPECIFIED)	DIMENSION STYLE MM ONLY		SCALE 1:1	DESIGN UNITS METRIC	THIRD ANGLE PROJECTION																																
		$\nabla = 0$ $\nabla = 0$ $\nabla = 0$	<table border="1"> <thead> <tr> <th></th> <th>mm</th> <th>INCH</th> </tr> </thead> <tbody> <tr> <td>4 PLACES</td> <td>± ---</td> <td>± ---</td> </tr> <tr> <td>3 PLACES</td> <td>± 0.10</td> <td>± ---</td> </tr> <tr> <td>2 PLACES</td> <td>± 0.15</td> <td>± ---</td> </tr> <tr> <td>1 PLACE</td> <td>± 0.25</td> <td>± ---</td> </tr> <tr> <td>0 PLACE</td> <td>±</td> <td>±</td> </tr> </tbody> </table>		mm	INCH	4 PLACES	± ---	± ---	3 PLACES	± 0.10	± ---	2 PLACES	± 0.15	± ---	1 PLACE	± 0.25	± ---	0 PLACE	±	±	<table border="1"> <thead> <tr> <th>DRAWN BY</th> <th>DATE</th> </tr> </thead> <tbody> <tr> <td>RHODGE</td> <td>2007/05/31</td> </tr> <tr> <th>CHECKED BY</th> <th>DATE</th> </tr> <tr> <td>RHODGE</td> <td>2007/11/13</td> </tr> <tr> <th>APPROVED BY</th> <th>DATE</th> </tr> <tr> <td>JCOMERCI</td> <td>2007/11/14</td> </tr> </tbody> </table>	DRAWN BY	DATE	RHODGE	2007/05/31	CHECKED BY	DATE	RHODGE	2007/11/13	APPROVED BY	DATE	JCOMERCI	2007/11/14	TITLE		HIGH DENSITY MEZZININE RECEPTACLE ASSEMBLY SELECTIVELY LOADED 			
			mm	INCH																																				
		4 PLACES	± ---	± ---																																				
3 PLACES	± 0.10	± ---																																						
2 PLACES	± 0.15	± ---																																						
1 PLACE	± 0.25	± ---																																						
0 PLACE	±	±																																						
DRAWN BY	DATE																																							
RHODGE	2007/05/31																																							
CHECKED BY	DATE																																							
RHODGE	2007/11/13																																							
APPROVED BY	DATE																																							
JCOMERCI	2007/11/14																																							
ANGULAR ±1/2° DRAFT WHERE APPLICABLE MUST REMAIN WITHIN DIMENSIONS		MATERIAL NO. SEE TABLE		DOCUMENT NO. SD-46553-001	SHEET NO. 3 OF 3																																			
THIS DRAWING CONTAINS INFORMATION THAT IS PROPRIETARY TO MOLEX INCORPORATED AND SHOULD NOT BE USED WITHOUT WRITTEN PERMISSION																																								



ASSY MACHINE IDENTIFIER
 LEAD CODE:
 0 = TIN/LEAD
 2 = TIN
 DATE CODE:
 YEAR - DAY OF YEAR
 LOCATED APPROX AS SHOWN



NOTES:

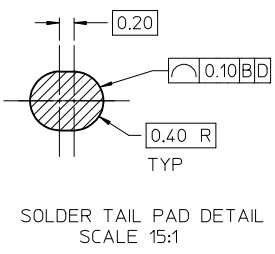
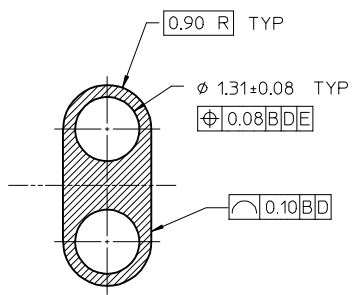
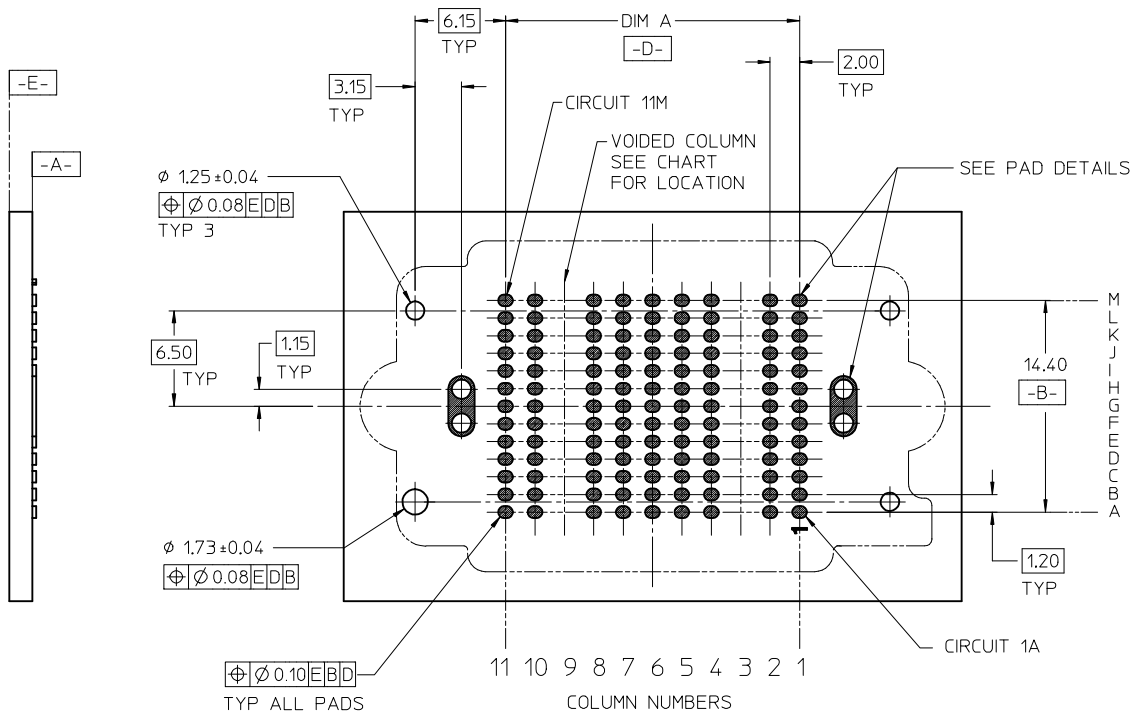
- HOUSING MATERIAL: LCP, GLASS FILLED, UL 94V-0, BLACK
 CONTACT MATERIAL: HIGH PERFORMANCE ALLOY
 SOLDER NAIL MATL: STAINLESS STEEL
 SOLDER CHARGE MATL: SEE CHART
- FINISH: SELECT GOLD 30 MI MIN IN CONTACT AREA
 SELECT TIN: 100 MI MIN IN PCB TAIL BOTH OVER NICKEL
- PRODUCT SPECIFICATION: PS-45802-001
- COSMETIC SPECIFICATION: PS-45499-002 CLASS B
- PACKAGING SPECIFICATION: PK-45802-001
- DATUM -D- IS THE CENTERLINE OF THE 2 END SLOTS. END SLOT CENTERLINES ARE ESTABLISHED USING 2 MEASUREMENTS FOR EACH SLOT TAKEN 7.20 EITHER SIDE OF DATUM -B-.

AVAILABLE STACK HEIGHTS		
STACK HEIGHT	DIM B	DIM C
8mm	10.51	8.90
9mm	11.51	9.90
10mm	12.51	10.90
11mm	13.51	11.90
12mm	14.51	12.90
13mm	15.51	13.90
14mm	16.51	14.90
15mm	17.51	15.90
17mm	19.51	17.90
18mm	20.51	18.90

AVAILABLE COLUMNS		
NO OF COLUMNS	DIM A	DIM D
7	12.00	31.89
9	16.00	35.89
11	20.00	39.89
13	24.00	43.89
15	28.00	47.89
17	32.00	51.89
19	36.00	55.89
21	40.00	59.89
23	44.00	63.89
25	48.00	67.89
27	52.00	71.89

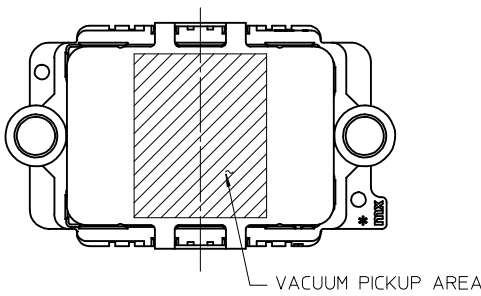
MOD LASER MARKING EC NO: UCP2013-3672 DRW:NET IBARRA 2013/03/12 CHKD:BBARKER 2013/03/12 APPR:SMILLER 2013/03/19	QUALITY SYMBOLS F=0 E=0 E=0	GENERAL TOLERANCES (UNLESS SPECIFIED) mm INCH 4 PLACES ± --- ± --- 3 PLACES ± 0.10 ± --- 2 PLACES ± 0.15 ± --- 1 PLACE ± 0.25 ± --- 0 PLACE ± ±	DIMENSION STYLE MM ONLY DRAWN BY DATE RHODGE 2007/05/31 CHECKED BY DATE RHODGE 2007/11/13 APPROVED BY DATE JCOMERC I 2007/11/14	SCALE 2:1 DESIGN UNITS METRIC THIRD ANGLE PROJECTION	TITLE HIGH DENSITY MEZZININE RECEPTACLE ASSEMBLY SELECTIVELY LOADED molex DOCUMENT NO. SD-46553-001	SHEET NO. 1 OF 3
		ANGULAR ±1/2° DRAFT WHERE APPLICABLE MUST REMAIN WITHIN DIMENSIONS	MATERIAL NO. SEE TABLE	THIS DRAWING CONTAINS INFORMATION THAT IS PROPRIETARY TO MOLEX INCORPORATED AND SHOULD NOT BE USED WITHOUT WRITTEN PERMISSION		
		SIZE B	THIS DRAWING CONTAINS INFORMATION THAT IS PROPRIETARY TO MOLEX INCORPORATED AND SHOULD NOT BE USED WITHOUT WRITTEN PERMISSION			

10 9 8 7 6 5 4 3 2 1



PAD DETAIL NOTES:
 1. SOLDER STENCIL TO HAVE OPENING FOR THE FITTING NAIL PADS AND SOLDER TAIL PADS

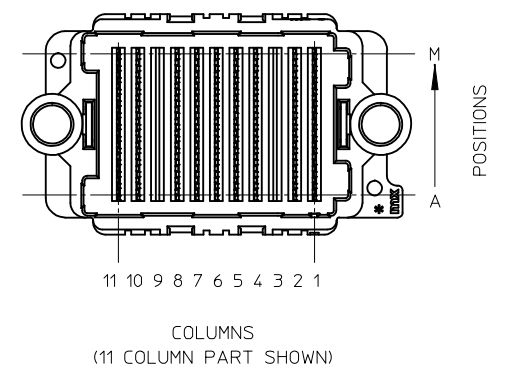
RECOMMENDED PCB LAYOUT: COMPONENT SIDE
 PCB THICKNESS: NA
 (11 COLUMN PART SHOWN SEE CHART)



SEE SHEET 1 EC NO: UCP2013-3872 DRAWN: TIBARRA 2013/03/12 CHKD: BBARKER 2013/03/12 APPR: SMILLER 2013/03/19	QUALITY SYMBOLS	GENERAL TOLERANCES (UNLESS SPECIFIED)		DIMENSION STYLE MM ONLY		SCALE 3:1	DESIGN UNITS METRIC	THIRD ANGLE PROJECTION
	▽=0	4 PLACES	± ---	± ---	DRAWN BY	DATE	TITLE HIGH DENSITY MEZZININE RECEPTACLE ASSEMBLY SELECTIVELY LOADED	
	▽=0	3 PLACES	± 0.10	± ---	RHODGE	2007/05/31		
	▽=0	2 PLACES	± 0.15	± ---	CHECKED BY	DATE	DOCUMENT NO. SD-46553-001	
		1 PLACE	± 0.25	± ---	RHODGE	2007/11/13	SHEET NO. 2 OF 3	
		0 PLACE	±	±	APPROVED BY	DATE	THIS DRAWING CONTAINS INFORMATION THAT IS PROPRIETARY TO MOLEX INCORPORATED AND SHOULD NOT BE USED WITHOUT WRITTEN PERMISSION	
					JCOMERCI	2007/11/14		
		ANGULAR ±1/2° DRAFT WHERE APPLICABLE MUST REMAIN WITHIN DIMENSIONS		MATERIAL NO. SEE TABLE				

9 8 7 6 5 4 3 2 1

	10	9	8	7	6	5	4	3	2	1
F	MATERIAL NUMBER	STACK HEIGHT	TOTAL COLUMNS	LOADED COLUMNS	AVAILABLE NO OF CKTS	VOIDED COLUMNS	SOLDER MATERIAL	PK-45802-001	STYLE: MM/COLUMNS	
	46553-1200	18mm	11	1,2,4,5,8,9,10,11	104	3,6,7	TIN	18mm / 11 COLUMNS		
	46553-1000	18mm	11	1,2,4,5,8,9,10,11	104	3,6,7	TIN / LEAD	18mm / 11 COLUMNS		
	46553-2200	10mm	07	1,2,4,5,7	65	3,6	TIN	10mm / 7 COLUMNS		
E										
D										
C										
B										



SEE SHEET 1 EC NO: UCP2013-3872 DRWN: TIBARRA 2013/03/12 CHKD: BBARKER 2013/03/12 APPR: SMILLER 2013/03/19	QUALITY SYMBOLS $\nabla = 0$ $\nabla = 0$ $\nabla = 0$	GENERAL TOLERANCES (UNLESS SPECIFIED) <table border="1"> <thead> <tr> <th></th> <th>mm</th> <th>INCH</th> </tr> </thead> <tbody> <tr> <td>4 PLACES</td> <td>± ---</td> <td>± ---</td> </tr> <tr> <td>3 PLACES</td> <td>± 0.10</td> <td>± ---</td> </tr> <tr> <td>2 PLACES</td> <td>± 0.15</td> <td>± ---</td> </tr> <tr> <td>1 PLACE</td> <td>± 0.25</td> <td>± ---</td> </tr> <tr> <td>0 PLACE</td> <td>±</td> <td>±</td> </tr> </tbody> </table>		mm	INCH	4 PLACES	± ---	± ---	3 PLACES	± 0.10	± ---	2 PLACES	± 0.15	± ---	1 PLACE	± 0.25	± ---	0 PLACE	±	±	DIMENSION STYLE MM ONLY DRAWN BY: RHODGE CHECKED BY: RHODGE APPROVED BY: JCOMERCI	SCALE: 1:1 DESIGN UNITS: METRIC THIRD ANGLE PROJECTION	TITLE: HIGH DENSITY MEZZININE RECEPTACLE ASSEMBLY SELECTIVELY LOADED molex DOCUMENT NO.: SD-46553-001
		mm	INCH																				
	4 PLACES	± ---	± ---																				
	3 PLACES	± 0.10	± ---																				
2 PLACES	± 0.15	± ---																					
1 PLACE	± 0.25	± ---																					
0 PLACE	±	±																					
DESCRIPTION:	ANGULAR ±1/2° DRAFT WHERE APPLICABLE MUST REMAIN WITHIN DIMENSIONS	MATERIAL NO.: SEE TABLE SIZE: B	DATE: 2007/05/31 DATE: 2007/11/13 DATE: 2007/11/14	SHEET NO.: 3 OF 3	THIS DRAWING CONTAINS INFORMATION THAT IS PROPRIETARY TO MOLEX INCORPORATED AND SHOULD NOT BE USED WITHOUT WRITTEN PERMISSION																		