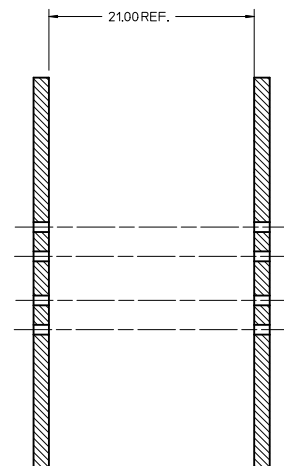
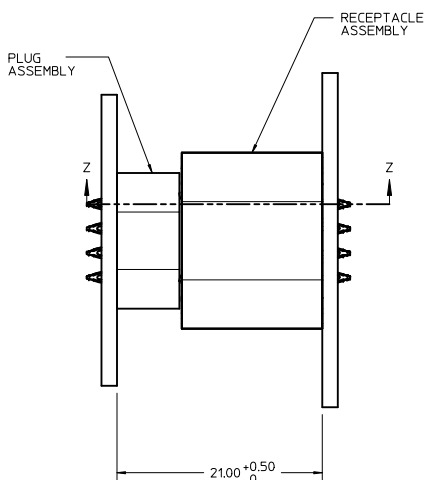
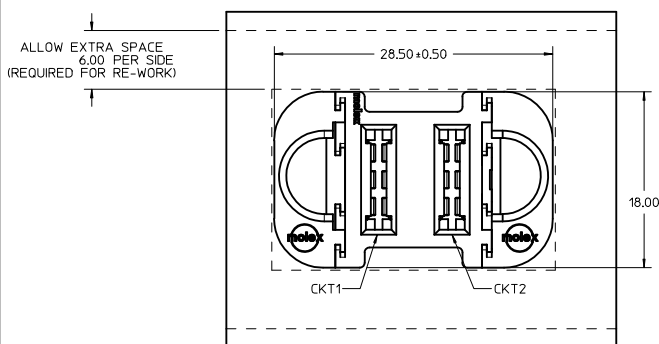
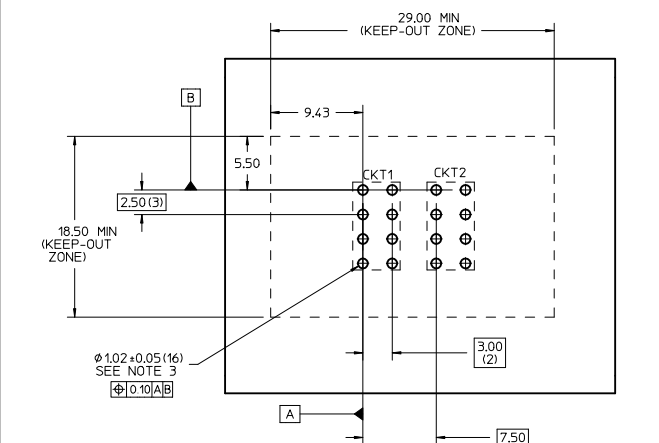


P/N 46562-1129



SECTION Z-Z



RECOMMENDED PCB LAYOUT AND KEEP-OUT ZONE

NOTES:

- MATERIAL:
 - HOUSINGS: LCP UL94 V-0, COLOR: BLACK.
 - TERMINALS: COPPER ALLOY.
 - PLATING: 0.000127 NICKEL OVERALL WITH 0.00254 SELECTIVE MATTE TIN ON COMPLIANT PINS. AND 0.000762 SELECTIVE GOLD ON CONTACT AREA.
- PACKAGING ASSEMBLIES TO BE TRAY PACKED, STD. QUANTITY: TBD.
- PC BOARD REQUIRES THRU HOLES. REFER TO PS-46436-100 FOR DETAILS.
- PRODUCT SPEC: PS-46436-100.
- APPLICATION SPEC: AS-46436-100.
- SEE PRODUCT SPEC FOR MEET RoHS REQUIREMENTS.
- ASSEMBLY MATES WITH MOLEX VERTICAL PLUG PLUG ASSEMBLY, P/N 76546-1129.

REVISE MOLEX LOGO EIC NO: UCP2012-1728 DRAWN: BPI/SZCZOR 2011/11/30 CHKD: APPR: APATEL 2011/12/20	QUALITY SYMBOLS	GENERAL TOLERANCES (UNLESS SPECIFIED)	DIMENSION STYLE	SCALE	DESIGN UNITS	THIRD ANGLE PROJECTION
	▽=0	4 PLACES ± mm ± INCH	MM ONLY	4:1	METRIC	
	▽=0	3 PLACES ± mm ± INCH				
	▽=0	2 PLACES ± 0.25 ± mm ± INCH				
		1 PLACE ± 0.25 ± mm ± INCH				
		ANGULAR ±1/2°				
		DRAFT WHERE APPLICABLE MUST REMAIN WITHIN DIMENSIONS				
			MATERIAL NO.	DOCUMENT NO.	TITLE	
			46562-1129	SD-46562-1129	VERTICAL RECEPTACLE ASSY 2 AC, PRESS-FIT TEN60 FAMILY	
					MOLEX INCORPORATED	
					SHEET NO.	
					1 OF 1	
			THIS DRAWING CONTAINS INFORMATION THAT IS PROPRIETARY TO MOLEX INCORPORATED AND SHOULD NOT BE USED WITHOUT WRITTEN PERMISSION			