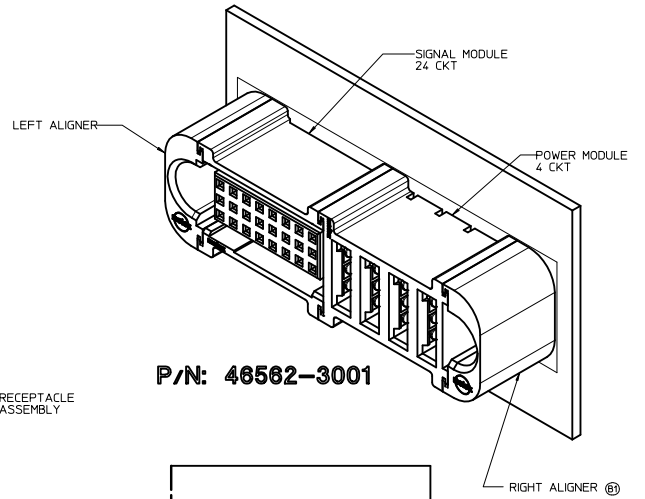
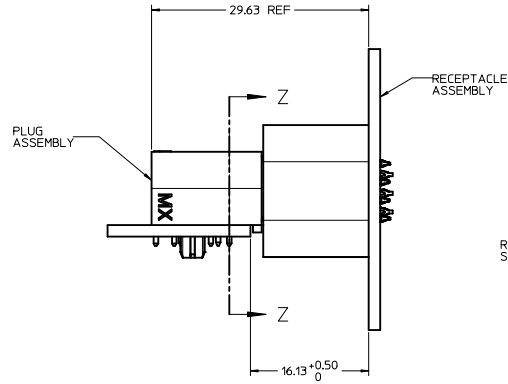
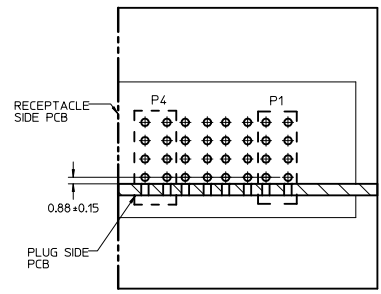


RECOMMENDED PCB LAYOUT AND KEEP-OUT ZONE



P/N: 46562-3001

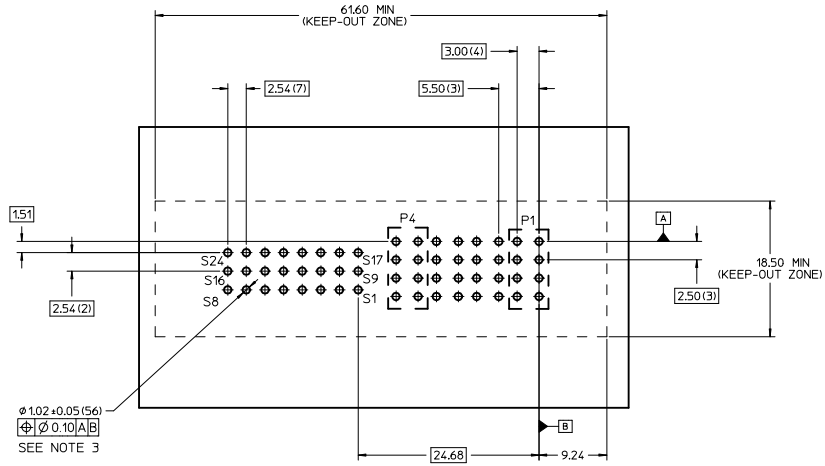
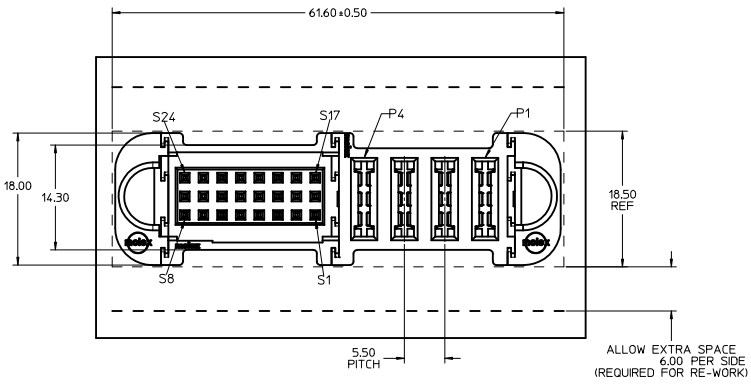
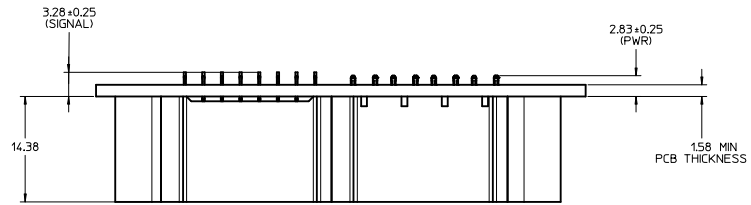


SECTION Z-Z

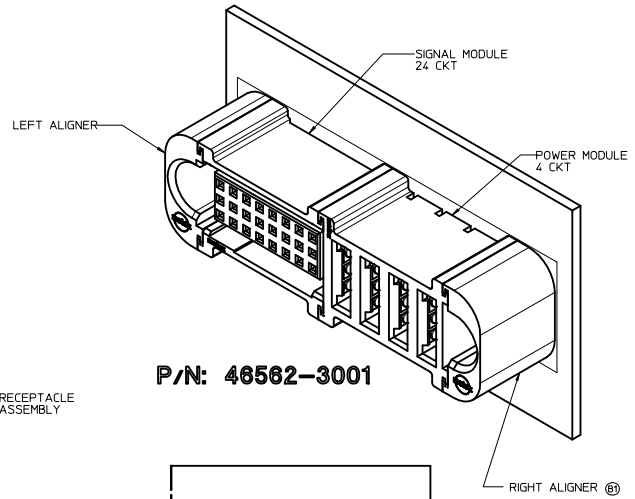
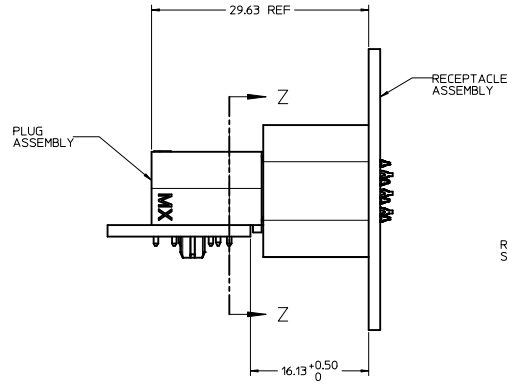
NOTES:

- MATERIAL:  
-HOUSINGS: LCP UL94 V-0, COLOR: BLACK.  
-TERMINALS: COPPER ALLOY.  
-PLATING: 0.00027 NICKEL OVERALL WITH 0.00254 SELECTIVE TIN ON COMPLIANT PINS.  
AND 0.000762 SELECTIVE GOLD ON CONTACT AREA.
- ASSEMBLIES PACKED IN TRAYS. SPQ: TBD.
- PC BOARD REQUIRES THRU HOLES. REFER TO PS-46436-100 FOR DETAILS.
- PRODUCT SPEC: PS-46436-100.
- APPLICATION SPEC: AS-46436-100.
- PRODUCT TO MEET RoHS REQUIREMENTS.
- ASSEMBLY MATES WITH PLUG ASSEMBLY. P/N 46437-3001.

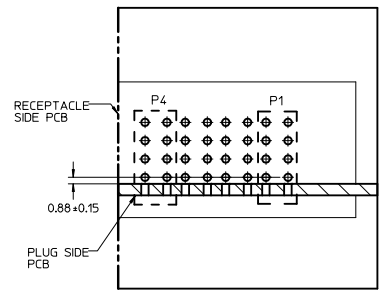
|   |  |                                       |   |                      |              |                        |
|---|--|---------------------------------------|---|----------------------|--------------|------------------------|
| UPDATE DESCRIPTION<br>EEC NO: LCP2010-1783<br>DRAWN/KARAD/MS 2010/01/21<br>CHK/D.LING 2010/02/08<br>APPR/PATEL 2010/02/10<br>B2 | QUALITY SYMBOLS                                      | GENERAL TOLERANCES (UNLESS SPECIFIED) | DIMENSION STYLE   | SCALE                | DESIGN UNITS | THIRD ANGLE PROJECTION |
|   |  | mm INCH                               | MM ONLY   | 3:1                  | METRIC       |                        |
|   |  | 4 PLACES ±--- ±---                    | DRAWN BY DATE   | TITLE                |              |                        |
|   |  | 3 PLACES ±--- ±---                    | CHECKED BY DATE   | VERT. RECP ASSY (B1) |              |                        |
|   | 2 PLACES ±0.25 ±---                                  | LNG 2009/05/06                        | 4P-24S, PRESS-FIT   |                      |              |                        |
|   | 1 PLACE ±0.25 ±---                                   | APPROVED BY DATE                      | TEN60 POWER FAMILY  |                      |              |                        |
|   | ANGULAR ±1/2°  | SHONG 2009/05/06                      | MOLEX INCORPORATED  |                      |              |                        |
|   | DRAFT WHERE APPLICABLE MUST REMAIN WITHIN DIMENSIONS | MATERIAL NO. DATE                     | DOCUMENT NO.  |                      |              |                        |
|   |  | 46562-3001 2009/05/06                 | SD-46562-301  |                      |              |                        |
|   |  | SIZE D                                | SHEET NO. 1 OF 1  |                      |              |                        |
|   |  |                                       | THIS DRAWING CONTAINS INFORMATION THAT IS PROPRIETARY TO MOLEX INCORPORATED AND SHOULD NOT BE USED WITHOUT WRITTEN PERMISSION |                      |              |                        |



RECOMMENDED PCB LAYOUT AND KEEP-OUT ZONE



P/N: 46562-3001



SECTION Z-Z

NOTES:

- MATERIAL:  
-HOUSINGS: LCP UL94 V-0, COLOR: BLACK.  
-TERMINALS: COPPER ALLOY.  
-PLATING: 0.00027 NICKEL OVERALL WITH 0.00254 SELECTIVE TIN ON COMPLIANT PINS.  
AND 0.000762 SELECTIVE GOLD ON CONTACT AREA.
- ASSEMBLIES PACKED IN TRAYS, SPQ: TBD.
- PC BOARD REQUIRES THRU HOLES, REFER TO PS-46436-100 FOR DETAILS.
- PRODUCT SPEC: PS-46436-100.
- APPLICATION SPEC: AS-46436-100.
- PRODUCT TO MEET RoHS REQUIREMENTS.
- ASSEMBLY MATES WITH PLUG ASSEMBLY, P/N 46437-3001.

|   |  |                                       |   |                        |              |                        |  |
|---|--|---------------------------------------|---|------------------------|--------------|------------------------|--|
| UPDATE DESCRIPTION<br>EEC NO: LCP2010-1783<br>DRAWN/KARAD/MS 2010/01/21<br>CHK/D/LNG 2010/02/08<br>APPR/PATEL 2010/02/10<br>REV<br>B2 | QUALITY SYMBOLS                                      | GENERAL TOLERANCES (UNLESS SPECIFIED) | DIMENSION STYLE   | SCALE                  | DESIGN UNITS | THIRD ANGLE PROJECTION |  |
|   |  | mm INCH                               | MM ONLY   | 3:1                    | METRIC       |                        |  |
|   |  | 4 PLACES ±--- ±---                    | DRAWN BY DATE   | TITLE                  |              |                        |  |
|   |  | 3 PLACES ±--- ±---                    | CHECKED BY DATE   | VERT. RECEPT ASSY (B1) |              |                        |  |
|   | 2 PLACES ±0.25 ±---                                  | APPROVED BY DATE                      | TEN60 POWER FAMILY  |                        |              |                        |  |
|   | 1 PLACE ±0.25 ±---                                   | DATE                                  | MOLEX INCORPORATED  |                        |              |                        |  |
|   | ANGULAR ±1/2°  | MATERIAL NO.                          | DOCUMENT NO.  |                        |              |                        |  |
|   | DRAFT WHERE APPLICABLE MUST REMAIN WITHIN DIMENSIONS | 46562-3001                            | SD-46562-301  |                        |              |                        |  |
|   |  | SIZE D                                | THIS DRAWING CONTAINS INFORMATION THAT IS PROPRIETARY TO MOLEX INCORPORATED AND SHOULD NOT BE USED WITHOUT WRITTEN PERMISSION |                        |              |                        |  |