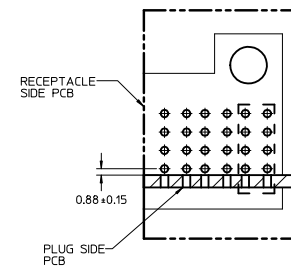


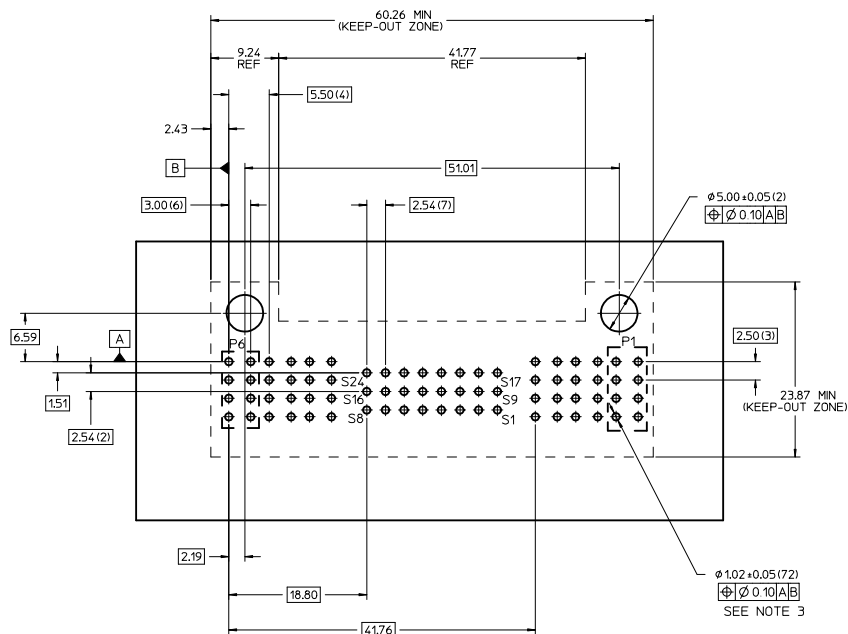
**P/N: 46562-3008**



**SECTION Z-Z**

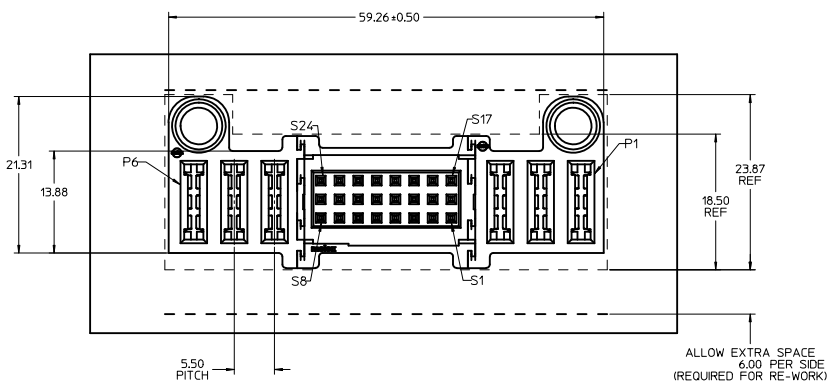
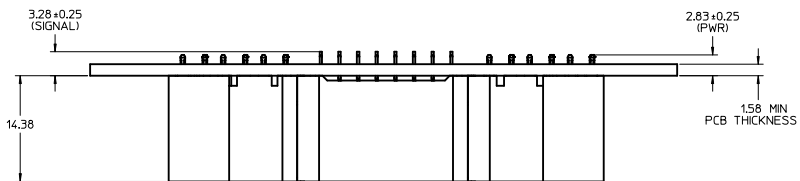
**NOTES:**

- MATERIAL:
  - HOUSINGS: LCP UL94 V-0, COLOR: BLACK.
  - TERMINALS: COPPER ALLOY.
  - PLATING: 0.000127 NICKEL OVERALL WITH 0.00254 SELECTIVE TIN ON COMPLIANT PINS. AND 0.000762 SELECTIVE GOLD ON CONTACT AREA.
- PACKAGING ASSEMBLIES TO BE TRAY PACKED PER PACKAGING SPEC PK-46562-XXX.
- PC BOARD REQUIRES THRU HOLES, REFER TO PS-46436-100 FOR DETAILS.
- PRODUCT SPEC: PS-46436-100.
- APPLICATION SPEC: AS-46436-100.
- PRODUCT TO MEET RoHS REQUIREMENTS.
- ASSEMBLY MATES WITH PLUG ASSEMBLY, P/N 46437-3008.

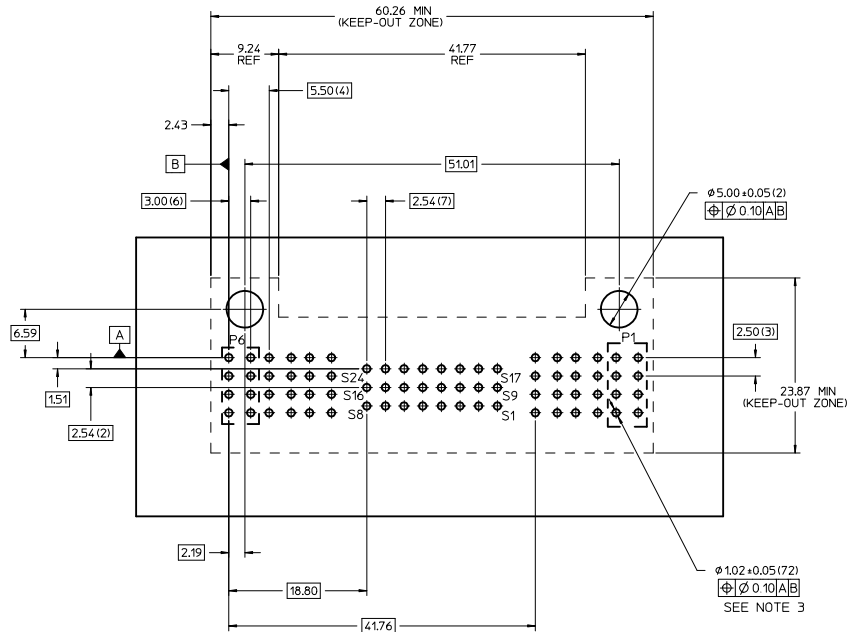


**RECOMMENDED PCB LAYOUT AND KEEP-OUT ZONE**

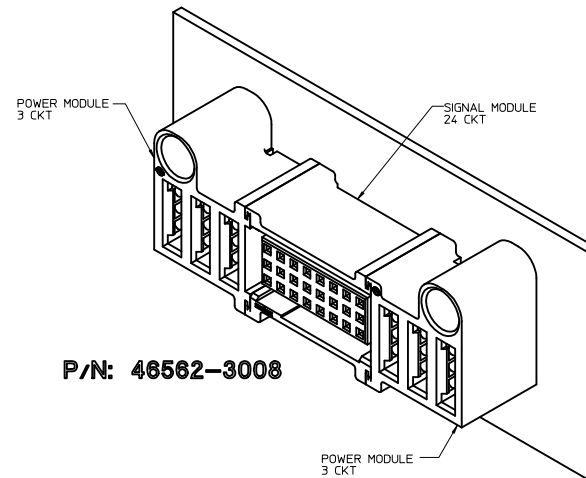
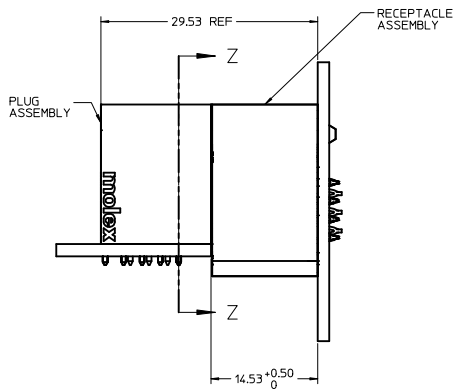
<b>UPDATE DESCRIPTION</b> IEC NO: LCP2010-1783 DRAWN: KIKARAD/MS 2010/01/22 CHK: LING 2010/02/08 APPR: APATEL 2010/02/10 REV: B1	<b>QUALITY SYMBOLS</b> DESCRIPTION	<b>GENERAL TOLERANCES (UNLESS SPECIFIED)</b>		<b>DIMENSION STYLE</b> MM ONLY	SCALE 3:1	DESIGN UNITS METRIC	THIRD ANGLE PROJECTION		
		4 PLACES ± --- ± --- 3 PLACES ± --- ± --- 2 PLACES ± 0.25 ± --- 1 PLACE ± 0.25 ± --- ANGULAR ±1/2°	mm INCH	DRAWN BY DATE KJKOH 2009/03/11	CHECKED BY DATE LNG	TITLE VERT RECEPT ASSY TG-3P-24S-3P-TG TEN60, PRESS-FIT (B1)			
		DRAFT WHERE APPLICABLE MUST REMAIN WITHIN DIMENSIONS		APPROVED BY DATE SHONG	MATERIAL NO. 46562-3008		MOLEX INCORPORATED		
				DOCUMENT NO. SD-46562-308	SHEET NO. 1 OF 1				



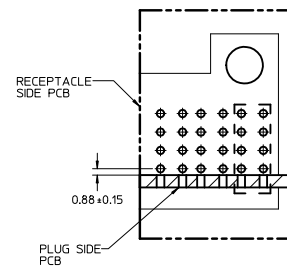
ALLOW EXTRA SPACE  
6.00 PER SIDE  
(REQUIRED FOR RE-WORK)



RECOMMENDED PCB LAYOUT AND KEEP-OUT ZONE



P/N: 46562-3008



SECTION Z-Z

NOTES:

- MATERIAL:  
-HOUSINGS: LCP UL94 V-0, COLOR: BLACK.  
-TERMINALS: COPPER ALLOY.  
-PLATING: 0.000127 NICKEL OVERALL WITH 0.00254 SELECTIVE TIN ON COMPLIANT PINS.  
AND 0.000762 SELECTIVE GOLD ON CONTACT AREA.
- PACKAGING ASSEMBLIES TO BE TRAY PACKED PER PACKAGING SPEC PK-46562-XXX.
- PC BOARD REQUIRES THRU HOLES, REFER TO PS-46436-100 FOR DETAILS.
- PRODUCT SPEC: PS-46436-100.
- APPLICATION SPEC: AS-46436-100.
- PRODUCT TO MEET RoHS REQUIREMENTS.
- ASSEMBLY MATES WITH PLUG ASSEMBLY, P/N 46437-3008.

<b>UPDATE DESCRIPTION</b> IEC NO: LCP2010-1783 DRAWN: KIKARAD/MS 2010/01/22 CHK: LING 2010/02/08 APPR: APATEL 2010/02/10 REV: B1	QUALITY SYMBOLS	GENERAL TOLERANCES (UNLESS SPECIFIED)	DIMENSION STYLE	SCALE	DESIGN UNITS	THIRD ANGLE PROJECTION	
		mm INCH	MM ONLY	3:1	METRIC		
		4 PLACES ± --- ± --- 3 PLACES ± --- ± --- 2 PLACES ± 0.25 ± --- 1 PLACE ± 0.25 ± ---	DRAWN BY DATE KJKOH 2009/03/11 CHECKED BY DATE LNG APPROVED BY DATE SHONG	TITLE VERT RECEPT ASSY TG-3P-24S-3P-TG TEN60, PRESS-FIT (B1)	MATERIAL NO. 46562-3008	MOLEX INCORPORATED	SHEET NO. 1 OF 1
	DRAFT WHERE APPLICABLE MUST REMAIN WITHIN DIMENSIONS	ANGULAR ±1/2°	MATERIAL NO. 46562-3008	DOCUMENT NO. SD-46562-308			