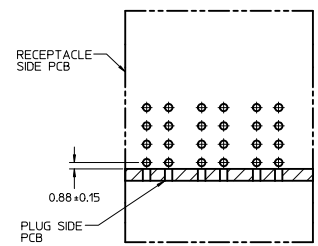


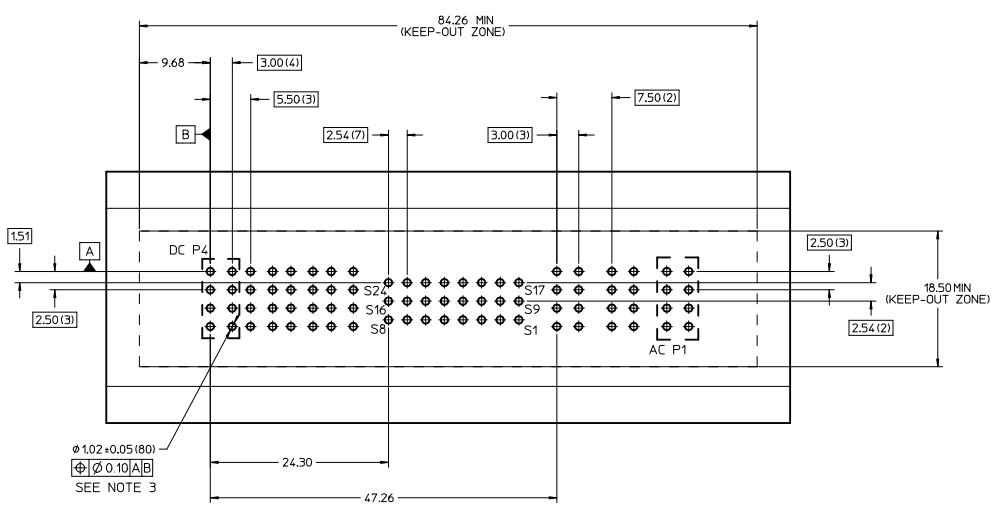
P/N: 46562-3011



SECTION Z-Z

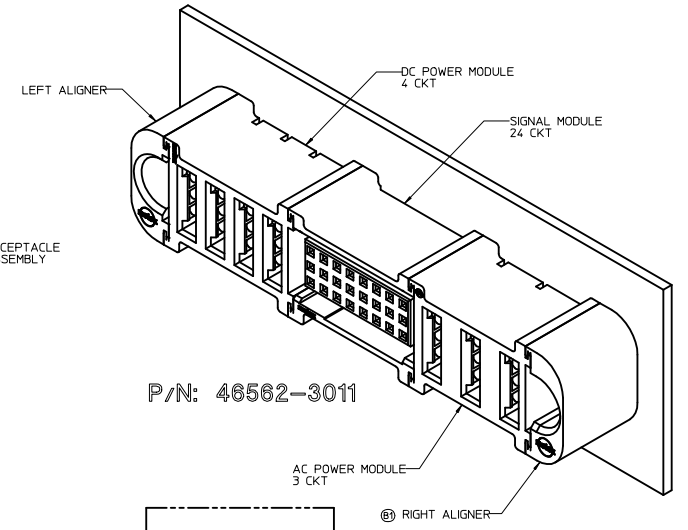
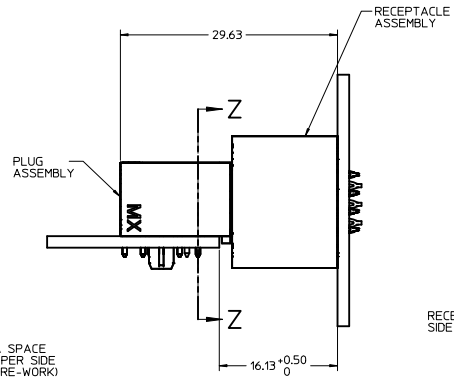
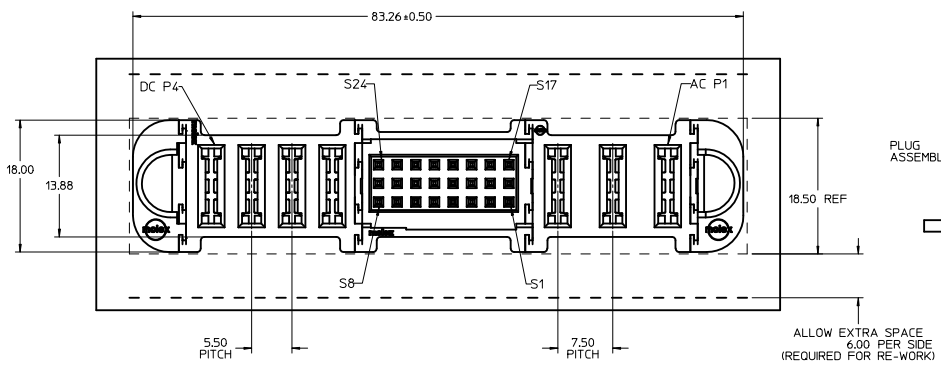
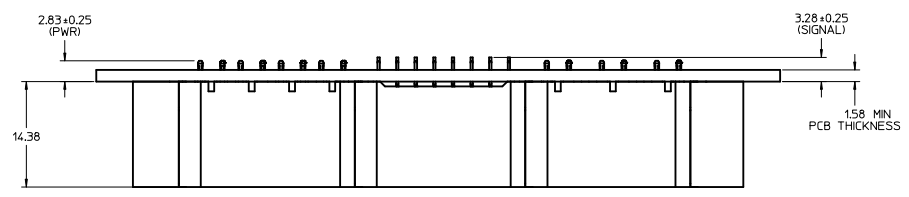
NOTES:

- MATERIAL:
-HOUSINGS: LCP UL94 V-0, COLOR: BLACK.
-TERMINALS: COPPER ALLOY.
-PLATING: 0.000127 NICKEL OVERALL WITH 0.00254 SELECTIVE TIN ON COMPLIANT PINS. AND 0.000762 SELECTIVE GOLD ON CONTACT AREA.
- ASSEMBLIES PACKED IN TRAYS. SPQ: TBD.
- PC BOARD REQUIRES THRU HOLES, REFER TO PS-46436-100 FOR DETAILS.
- PRODUCT SPEC: PS-46436-100.
- APPLICATION SPEC: AS-46436-100.
- PRODUCT TO MEET RoHS REQUIREMENTS.
- ASSEMBLY MATES WITH PLUG ASSEMBLY. P/N 46437-3011.

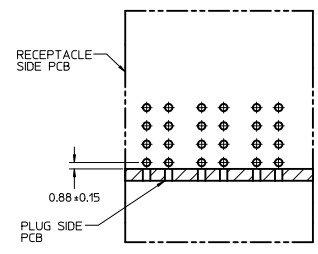


RECOMMENDED PCB LAYOUT AND KEEP-OUT ZONE

UPDATE DESCRIPTION EC NO: UCP2010-1783 DRAWN BY: DRWN:KARAD/MS CHECKING: CHYK:LING APPROVAL: APPR:APATEL DATE: 2010/01/22 DATE: 2010/02/08 DATE: 2010/02/10	QUALITY SYMBOLS DESCRIPTION	GENERAL TOLERANCES (UNLESS SPECIFIED)		DIMENSION STYLE MM ONLY	SCALE 3:1	DESIGN UNITS METRIC	THIRD ANGLE PROJECTION
		4 PLACES ± --- ± --- 3 PLACES ± --- ± --- 2 PLACES ± 0.25 ± --- 1 PLACE ± 0.25 ± --- ANGULAR ±1/2°	mm INCH	DRAWN BY: KJKOH DATE: 2009/03/11 CHECKED BY: LNG DATE: 2009/05/06 APPROVED BY: SHONG DATE: 2009/05/06	MATERIAL NO: 46562-3011	DOCUMENT NO: SD-46562-311	TITLE: VERT RECPT ASSY 5P-24S-5P, PRESS-FIT TEN60 POWER FAMILY
DRAFT WHERE APPLICABLE MUST REMAIN WITHIN DIMENSIONS		THIS DRAWING CONTAINS INFORMATION THAT IS PROPRIETARY TO MOLEX INCORPORATED AND SHOULD NOT BE USED WITHOUT WRITTEN PERMISSION					



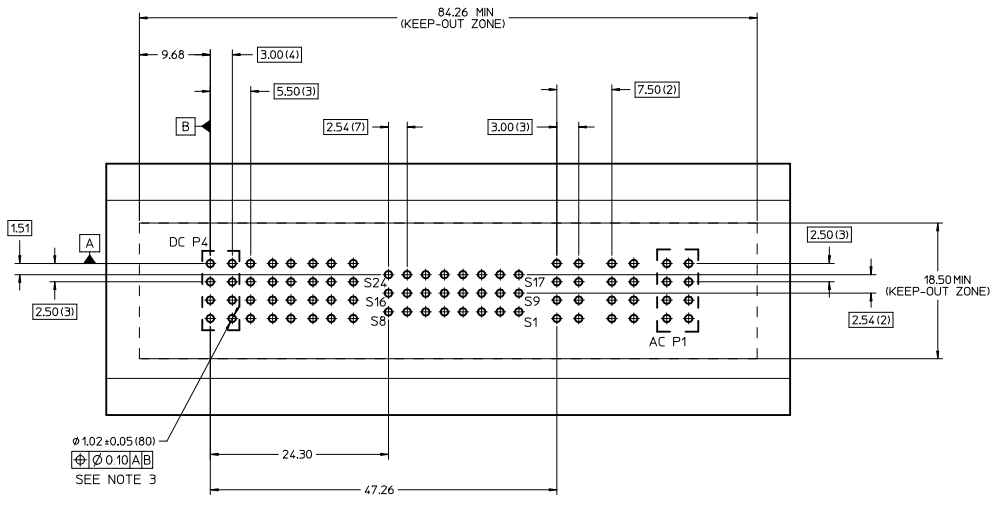
P/N: 46562-3011



SECTION Z-Z

NOTES:

1. MATERIAL:
-HOUSINGS: LCP UL94 V-0, COLOR: BLACK.
-TERMINALS: COPPER ALLOY.
-PLATING: 0.000127 NICKEL OVERALL WITH 0.00254 SELECTIVE TIN ON COMPLIANT PINS.
AND 0.000762 SELECTIVE GOLD ON CONTACT AREA.
2. ASSEMBLIES PACKED IN TRAYS. SPQ: TBD.
3. PC BOARD REQUIRES THRU HOLES, REFER TO PS-46436-100 FOR DETAILS.
4. PRODUCT SPEC: PS-46436-100.
5. APPLICATION SPEC: AS-46436-100.
6. PRODUCT TO MEET RoHS REQUIREMENTS.
7. ASSEMBLY MATES WITH PLUG ASSEMBLY. P/N 46437-3011.



RECOMMENDED PCB LAYOUT AND KEEP-OUT ZONE

UPDATE DESCRIPTION EC NO: UCP2010-1783 DRAWN BY: DRWN:KARAD/MS CHECKING: 2010/02/08 APPROVAL: APPR:APATEL 2010/02/10	QUALITY SYMBOLS DESCRIPTION	GENERAL TOLERANCES (UNLESS SPECIFIED) mm INCH		DIMENSION STYLE MM ONLY	SCALE 3:1	DESIGN UNITS METRIC	THIRD ANGLE PROJECTION
		4 PLACES ±--- ±--- 3 PLACES ±--- ±--- 2 PLACES ±0.25 ±--- 1 PLACE ±0.25 ±--- ANGULAR ±1/2°	DRAWN BY: KJKOH DATE: 2009/03/11 CHECKED BY: LNG DATE: 2009/05/06 APPROVED BY: SHONG DATE: 2009/05/06	TITLE VERT RECT ASSY 5P-24S-5P, PRESS-FIT TEN60 POWER FAMILY		MATERIAL NO. 46562-3011	DOCUMENT NO. SD-46562-311
DRAFT WHERE APPLICABLE MUST REMAIN WITHIN DIMENSIONS		THIS DRAWING CONTAINS INFORMATION THAT IS PROPRIETARY TO MOLEX INCORPORATED AND SHOULD NOT BE USED WITHOUT WRITTEN PERMISSION					