

NOTES:

1) MATERIAL:

- "BLANK" = NYLON 6/6, 94V-2, COLOR: NATURAL.
- "BL" = NYLON 6/6, 94V-2, COLOR: BLACK.
- "BU" = NYLON 6/6, 94V-2, COLOR: BLUE.
- "RE" = NYLON 6/6, 94V-2, COLOR: RED.
- "210" = NYLON 6/6, 94V-0, COLOR: NATURAL.
- "400" = NYLON 6/6, 94V-0, COLOR: BLACK.

2) FINISH: NOT APPLICABLE

3) PRODUCT SPECIFICATION: PS-5556-001

4) PACKAGING: BULK PACKED PER PK-5559-001

5) PART MATES WITH MOLEX RECEPTACLE #5557.

6) PART TO BE USED WITH MOLEX MALE TERMINAL #5558.

7) PART IS NOT DESIGNED FOR CURRENT SHARING.

8) CONNECTORS ARE NOT TO BE MATED OR UNMATED WHILE CIRCUITS ARE LIVE.

9) WIRES ARE TO BE DRESSED IN SUCH A MANNER TO ALLOW THE TERMINALS TO FLOAT FREELY IN THE POCKET.

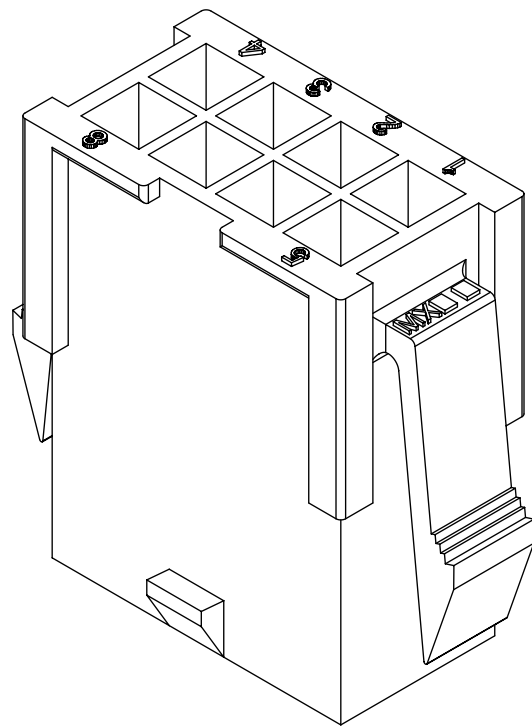
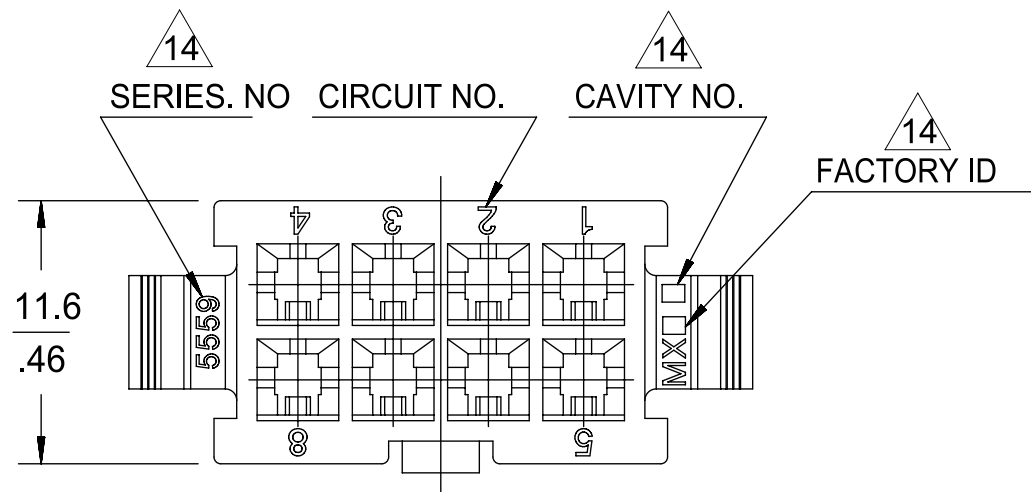
10) PART CONFORMS TO CLASS "B" REQUIREMENTS OF COSMETIC SPECIFICATION PS-45499-002 WITH THE EXCEPTION OF DISCOLORATION, FLASH AND SINK MEET CLASS "C" REQUIREMENTS.

11) ON 2 CIRCUITS PARTS THIS DIMENSION IS ALLOWABLE UP TO "D" DIMENSION.

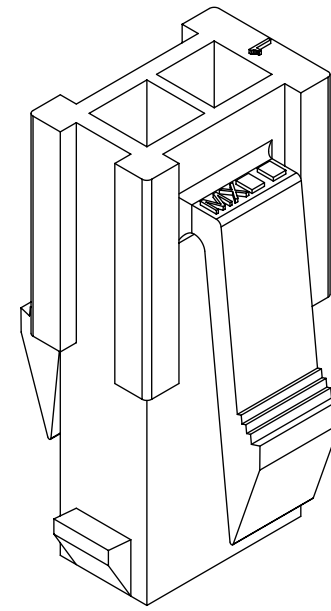
12) PANEL HOLE TO BE PUNCHED OUT IN THE SAME DIRECTION AS INSERTION INTO THE PANEL.

13) TO BE MEASURED AT SURFACE -A-

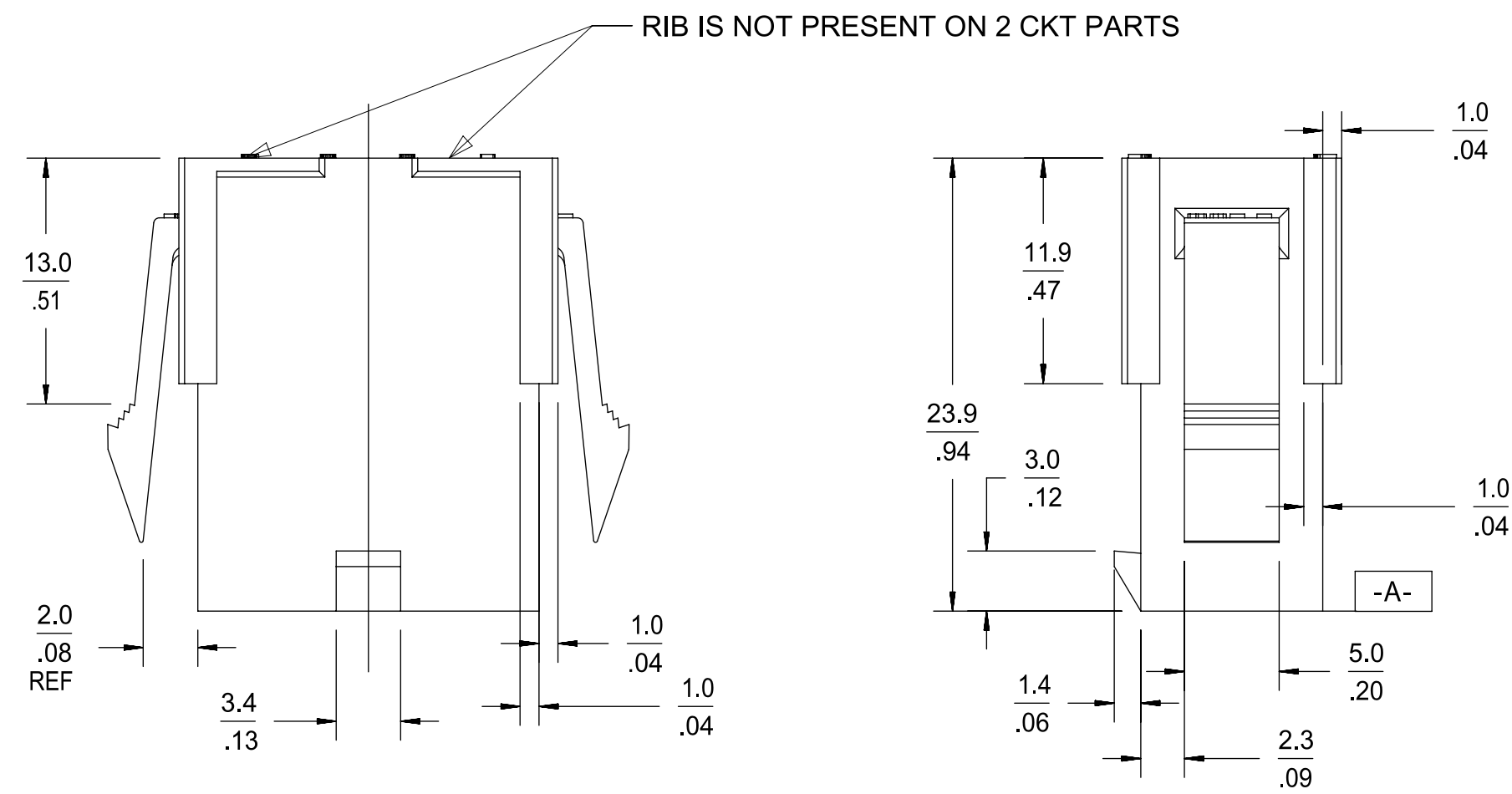
14) TEXT ON PART IS FOR REFERENCE ONLY. TEXT AND TEXT LOCATION MAY VARY DEPENDING ON PART NUMBER AND/OR TOOL.



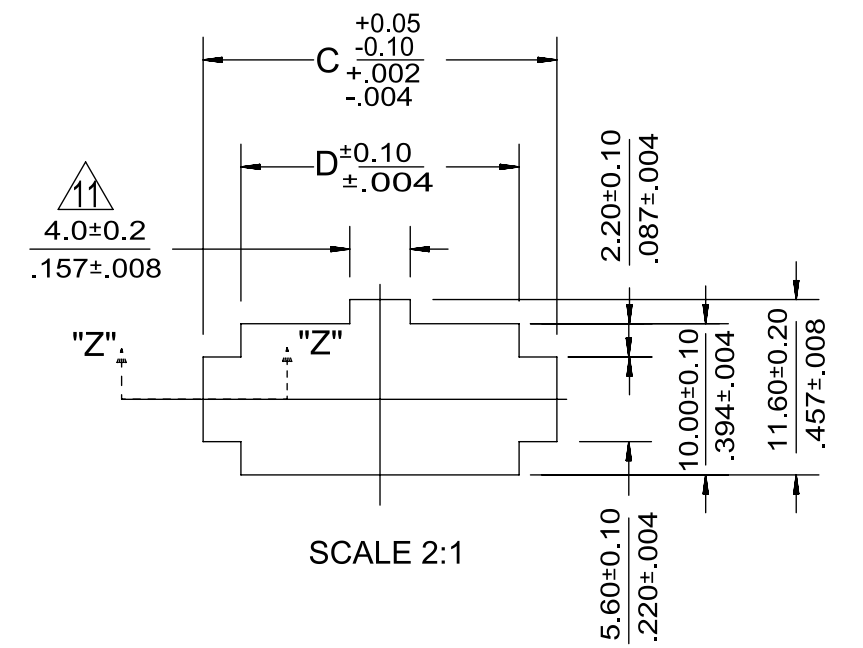
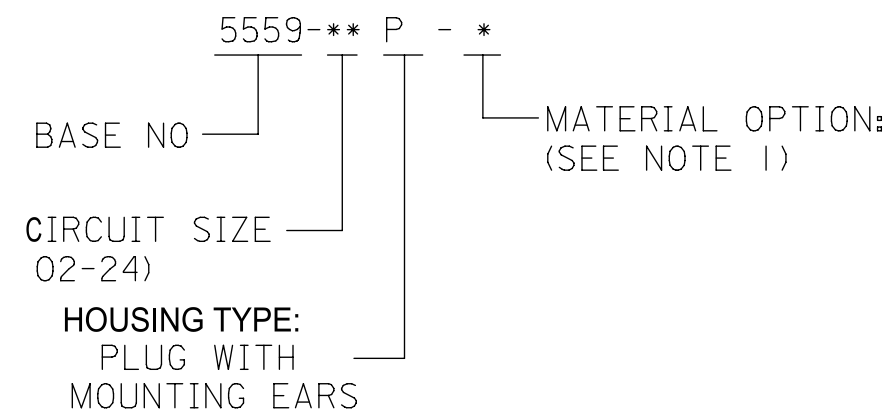
8 CKT SHOWN



2 CKT SHOWN

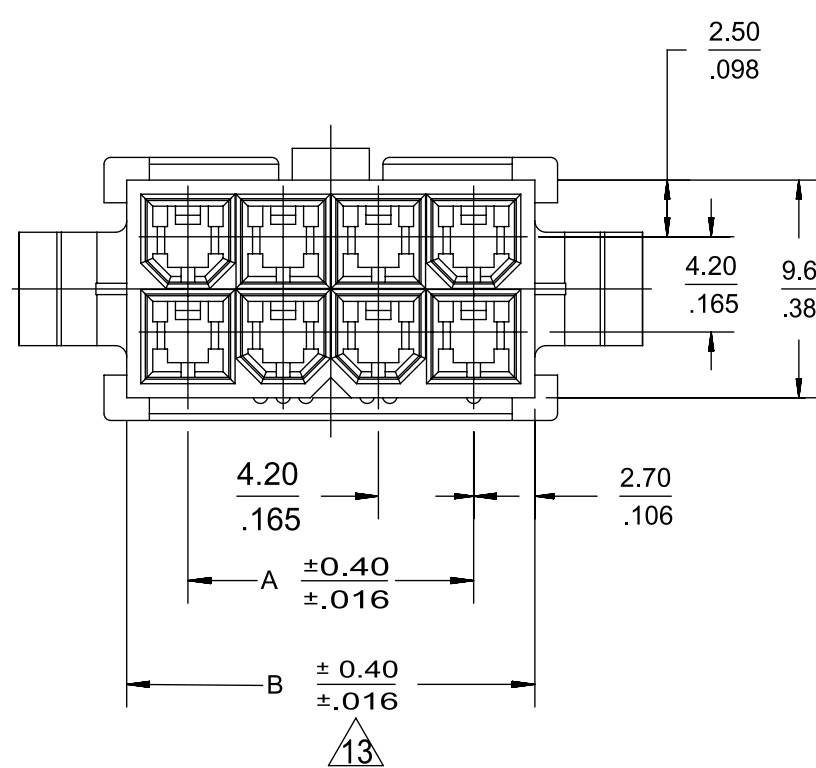
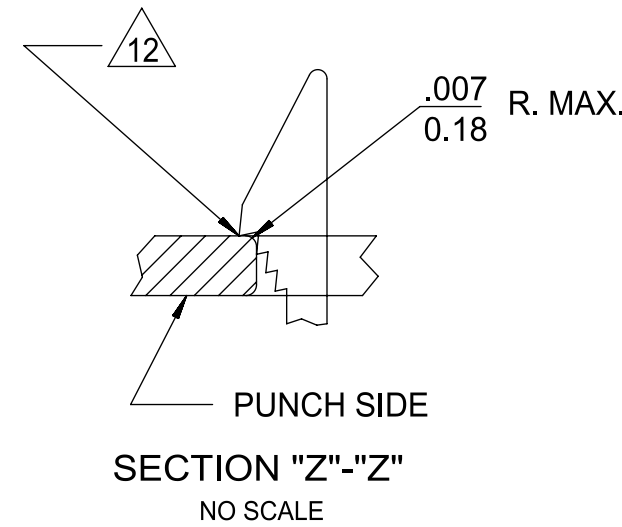


LEGEND



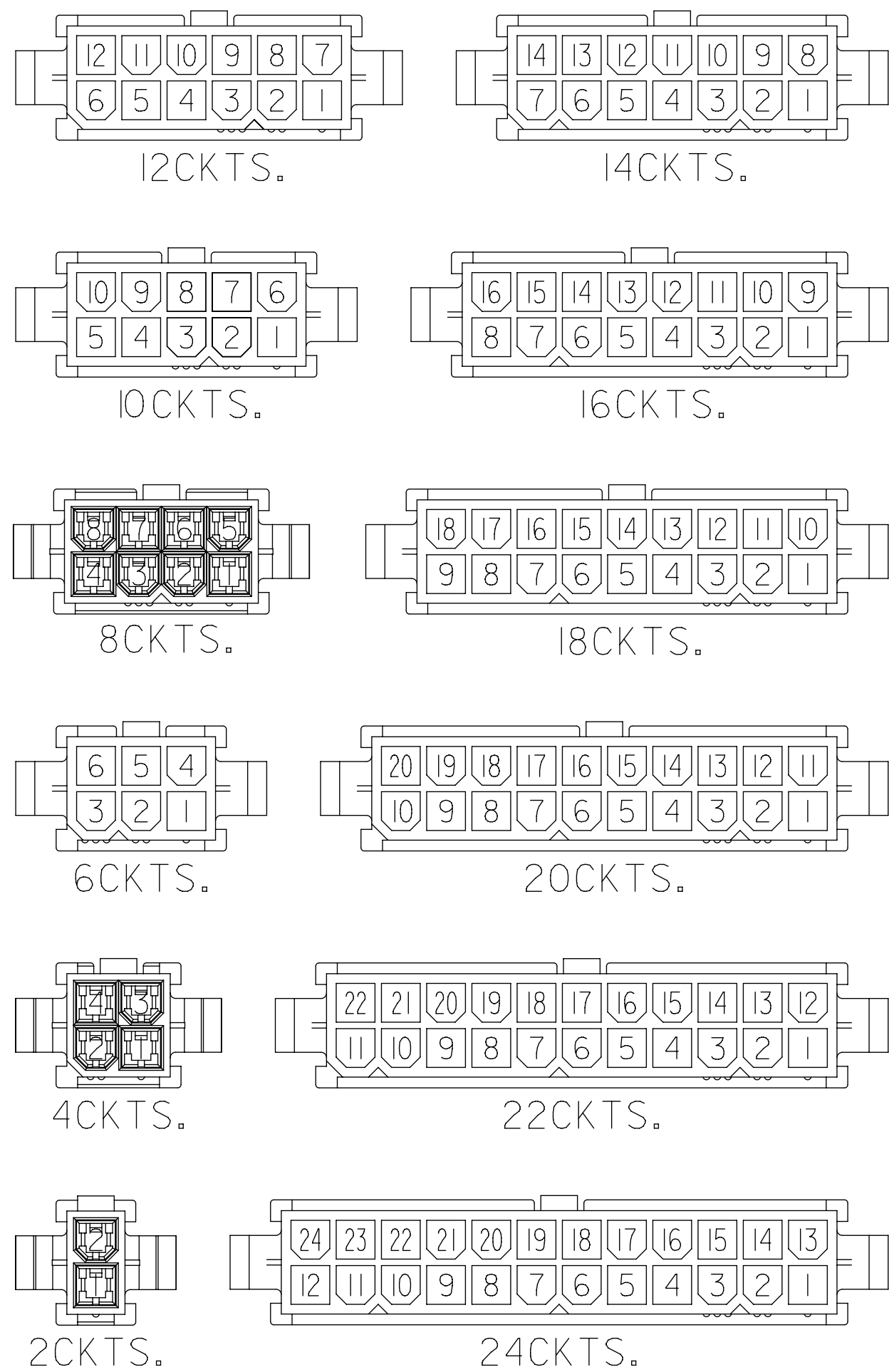
RECOMMENDED PANEL HOLE DIMENSIONS
(THICKNESS : 0.8-2.0/.032-.079)

52.1/2.051	57.0/2.244	51.6/2.031	46.2/1.819	24
47.9/1.886	52.8/2.079	47.4/1.866	42.0/1.654	22
43.7/1.720	48.6/1.913	43.2/1.701	37.8/1.488	20
39.5/1.555	44.4/1.748	39.0/1.535	33.6/1.323	18
35.3/1.390	40.2/1.583	34.8/1.370	29.4/1.158	16
31.1/1.224	36.0/1.417	30.6/1.205	25.2/.992	14
26.8/1.055	31.8/1.252	26.4/1.039	21.0/.827	12
22.6/.890	27.6/1.087	22.2/.874	16.8/.661	10
18.4/.724	23.4/.921	18.0/.709	12.6/.496	8
14.2/.559	19.2/.756	13.8/.543	8.4/.331	6
10.0/.394	15.0/.591	9.6/.378	4.2/.165	4
5.8/.228	10.8/.425	5.4/.213	—	2
D	C	B	A	CIRCUIT



THIS DRAWING REPLACES SD-5559-NP

SYMBOLS	THIS DRAWING CONTAINS INFORMATION THAT IS PROPRIETARY TO MOLEX ELECTRONIC TECHNOLOGIES, LLC AND SHOULD NOT BE USED WITHOUT WRITTEN PERMISSION		CURRENT REV DESC: MIGRATE FROM SD-5559-NP, REM NOTE 14 FROM CKT NO	
	DIMENSION UNITS	SCALE		
▽ = 0	IN/MM	3:1		
▽ = 0	GENERAL TOLERANCES (UNLESS SPECIFIED)			
▽ = 0		MM	INCH	
▽ = 0	4 PLACES	±	±	
▽ = 0	3 PLACES	±	± 0.012	
▽ = 0	2 PLACES	± 0.3	± 0.016	
▽ = 0	1 PLACE	± 0.4	±	
▽ = 0	0 PLACES	±	±	
▽ = 0	ANGULAR TOL	± 3.0 °		
▽ = 0	DRAFT WHERE APPLICABLE MUST REMAIN WITHIN DIMENSIONS		THIRD ANGLE PROJECTION	DRAWING
			C-SIZE	SERIES
				5559
EC NO: 623709			DRWN: DSTEIER	2019/09/06
DRWN: H.HIRAMOTO			CHK'D: DSTEIER	2020/01/15
APPR: M.ENOMOTO			APPR: FSMITH	2020/01/18
INITIAL REVISION:				
DRWN: H.HIRAMOTO			1998/10/14	
APPR: M.ENOMOTO			1988/10/24	
DOCUMENT NUMBER		DOC TYPE	DOC PART	REVISION
55590020-SD		PSD	000	A
MATERIAL NUMBER		CUSTOMER		SHEET NUMBER
SEE CHART		GENERAL MARKET		1 OF 2



CIRCUIT SIZE LAYOUT (SCALE : 2-1)

V-2 BLACK			V-0 BLACK								
EDP NO.	ENG. NO.	CIRCUIT	EDP NO.	ENG. NO.	CIRCUIT						
46999-0157	5559-24P-BL	24	46999-0304	5559-24P-400	24						
		22	46999-0303	5559-22P-400	22						
39-02-8205	5559-20P-BL	20	46999-0302	5559-20P-400	20						
		18	46999-0301	5559-18P-400	18						
		16	46999-0300	5559-16P-400	16						
		14	46999-0299	5559-14P-400	14						
		2	46999-0298	5559-12P-400	2						
		10	46999-0297	5559-10P-400	10						
		8	46999-0296	5559-08P-400	8						
39-02-8065	5559-06P-BL	6	46999-0295	5559-06P-400	6						
39-02-8045	5559-04P-BL	4	46999-0294	5559-04P-400	4						
		2	46999-0293	5559-02P-400	2						
V-2 BLUE			V-2 RED			V-0 NATURAL			V-2 NATURAL		
EDP NO.	ENG. NO.	CIRCUIT	EDP NO.	ENG. NO.	CIRCUIT	EDP NO.	ENG. NO.	CIRCUIT	EDP NO.	ENG. NO.	CIRCUIT
		24			24	39-01-2246	5559 -24P-210	24	39-01-2241	5559-24P	24
		22			22	▲ -2226	▲ -22P-210	22	▲ -2221	▲ -22P	22
		20			20	-2206	-20P-210	20	-2201	-20P	20
		18			18	-2186	-18P-210	18	-2181	-18P	18
		16			16	-2166	-16P-210	16	-2161	-16P	16
		14			14	-2146	-14P-210	14	-2141	-14P	14
		2			2	-2126	-12P-210	2	-2121	-12P	2
		10			10	-2106	-10P-210	10	-2101	-10P	10
		8			8	-2086	-08P-210	8	-2081	-08P	8
39-02-8066	5559-06P-BU	6	39-02-8067	5559-06P-RE	6	▼ -2066	▼ -06P-210	6	▼ -2061	▼ -06P	6
39-02-8046	5559-04P-BU	4			4	▼ -2046	▼ -04P-210	4	▼ -2041	▼ -04P	4
		2			2	39-01-2026	5559 -02P-210	2	39-01-2021	5559-02P	2

THIS DRAWING CONTAINS INFORMATION THAT IS PROPRIETARY TO MOLEX ELECTRONIC TECHNOLOGIES, LLC AND SHOULD NOT BE USED WITHOUT WRITTEN PERMISSION

SYMBOLS

▽ = 0	IN/MM	SCALE	3:1
▽ = 0	GENERAL TOLERANCES (UNLESS SPECIFIED)		
▽ = 0	4 PLACES ±	MM	INCH
▽ = 0	3 PLACES ±	± 0.012	
▽ = 0	2 PLACES ±	0.3 ± 0.016	
▽ = 0	1 PLACE ±	0.4 ±	
▽ = 0	0 PLACES ±	±	
■ = 0	ANGULAR TOL ± 3.0 °		
▽ = 0	DRAFT WHERE APPLICABLE MUST REMAIN WITHIN DIMENSIONS		

CURRENT REV DESC: MIGRATE FROM SD-5559-NP, REM NOTE 14 FROM CKT NO

EC NO: 623709
 DRWN: DSTEIER 2019/09/06
 CHK'D: DSTEIER 2020/01/15
 APPR: FSMITH 2020/01/18

INITIAL REVISION:
 DRWN: H.HIRAMOTO 1998/10/14
 APPR: M.ENOMOTO 1988/10/24

THIRD ANGLE PROJECTION

DRAWING SERIES: C-SIZE 5559

molex

MINI. FIT JR DUAL ROW 2-24CKT PLUG HOUSING WITH EARS

PRODUCT CUSTOMER DRAWING

DOCUMENT NUMBER: 55590020-SD
 DOC TYPE: PSD
 DOC PART: 000
 REVISION: A

MATERIAL NUMBER: SEE CHART
 CUSTOMER: GENERAL MARKET
 SHEET NUMBER: 2 OF 2