

10 9 8 7 6 5 4 3 2 1

F

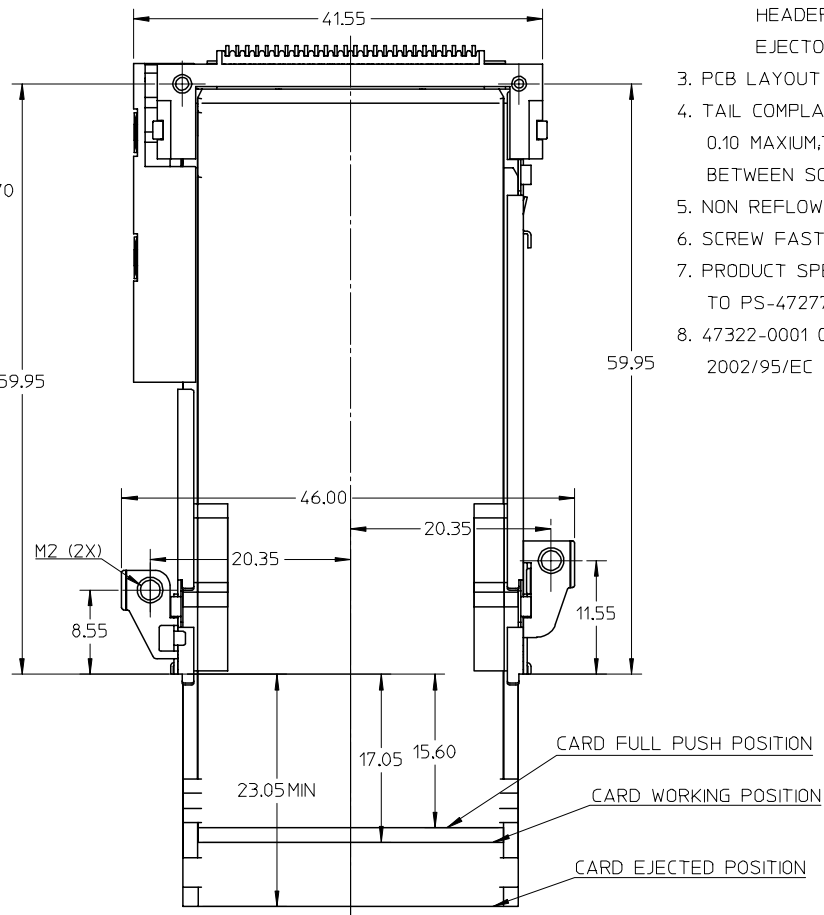
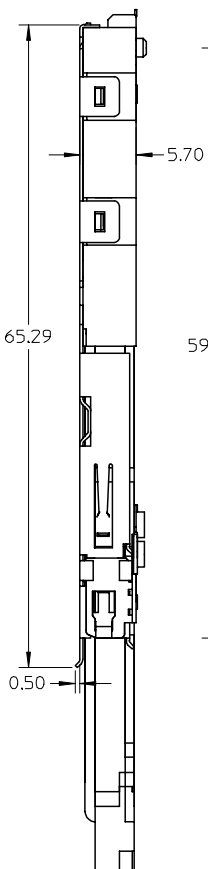
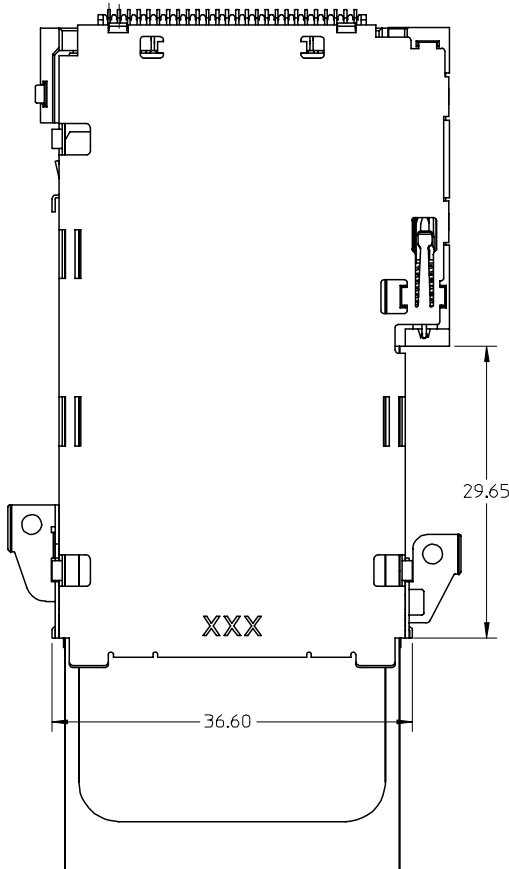
E

D

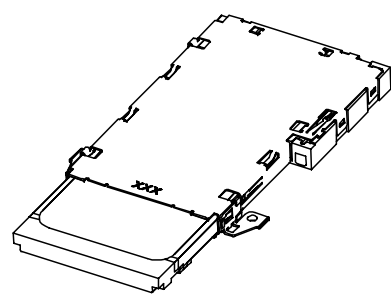
C

B

A

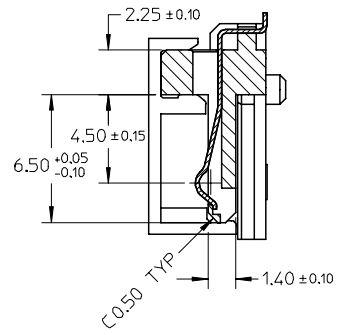
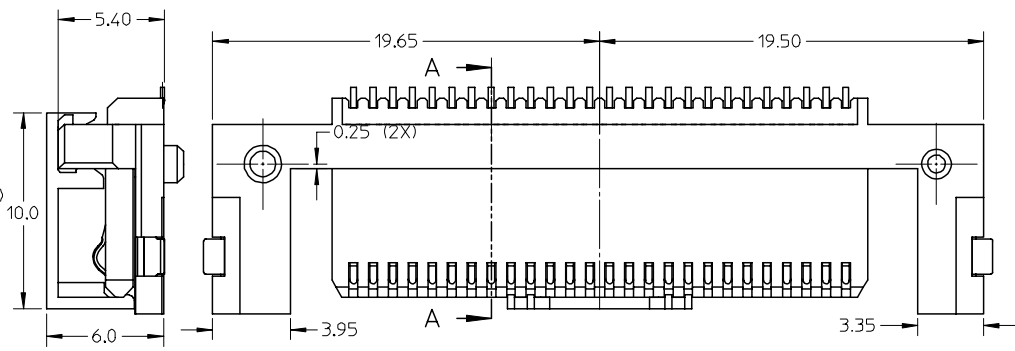
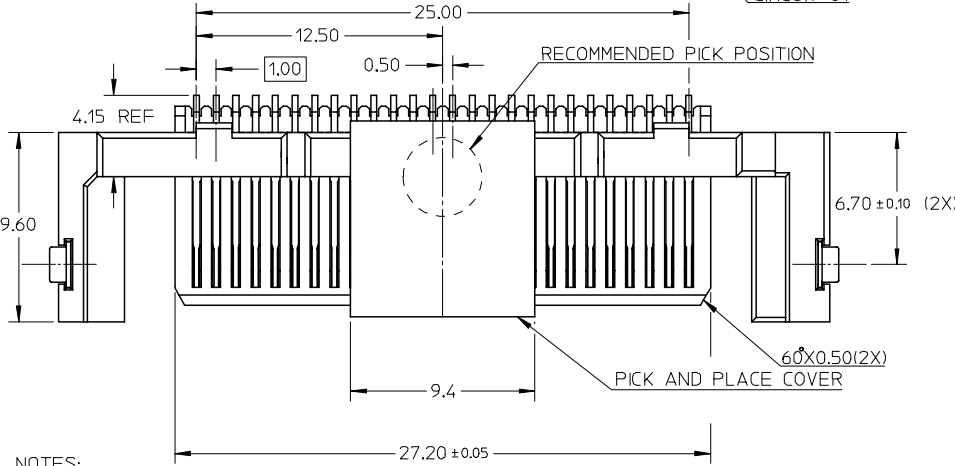
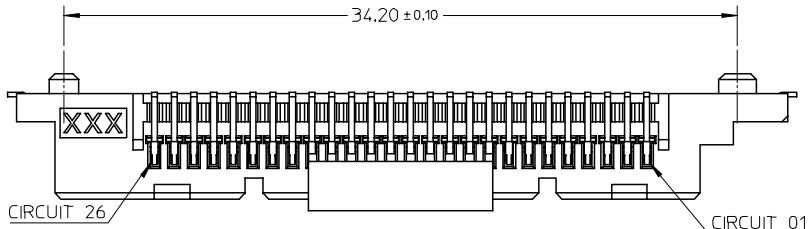


- NOTES:
- CONNECTOR DESIGN BASED ON EXPRESSCARD STANDARD;
 - COMPONENTS:
 HEADER: SHEET 2
 EJECTOR: SHEET 3
 - PCB LAYOUT PLEASE REFER TO SHEET 4,
 - TAIL COMPLANARITY OF HEADER TO BE 0.10 MAXIMUM, TRUE POSITION IS 0.15 MAXIMUM BETWEEN SOLDER TAILS;
 - NON REFLOW PROCESS FOR EJECTOR.
 - SCREW FASTENING TORQUE: 1.0 KGF-CM,
 - PRODUCT SPECIFICATION PLEASE REFER TO PS-47277-001.
 - 47322-0001 COMPLIANT TO RoHS DIRECTIVE 2002/95/EC AND ELV DIRECTIVE 2000/53/EC.



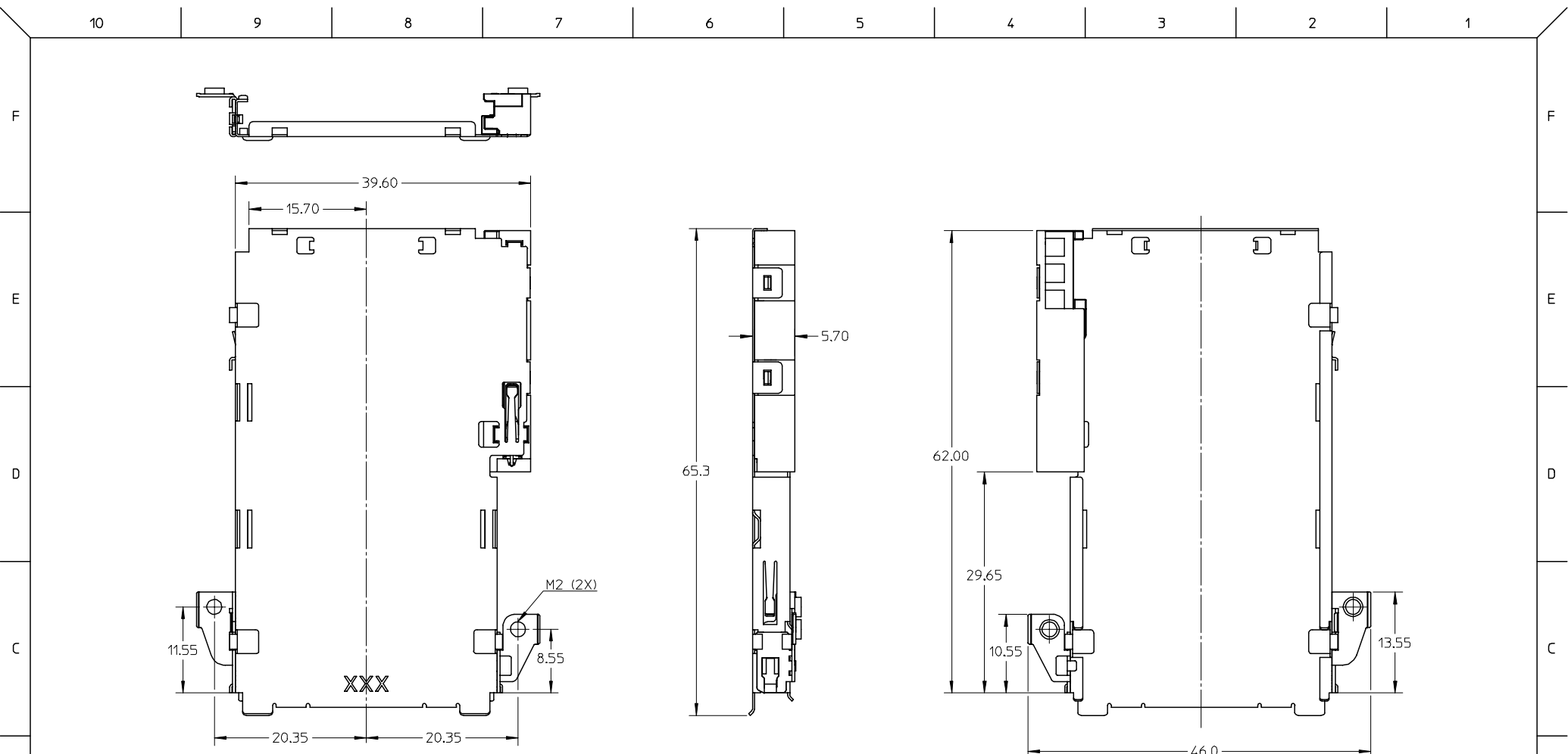
EC NO: SH2007-0352 DRWN: OCHEN 2006/11/17 CHKD: HARVEY 2006/11/22 APPR: JNCHEN 2006/11/28	QUALITY SYMBOLS ▽=0 ▽C=0	GENERAL TOLERANCES (UNLESS SPECIFIED)		DIMENSION STYLE MM ONLY		SCALE NTS	DESIGN UNITS METRIC	THIRD ANGLE PROJECTION		
		4 PLACES ± --- ± --- 3 PLACES ± --- ± --- 2 PLACES ± 0.25 ± --- 1 PLACE ± 0.30 ± --- ANGULAR ± 3 °	mm INCH	DRAWN BY R. BIAN	DATE 2005/05/20	EXPRESSCARD 34MM BOTTOM MOUNT PUSH-PUSH TYPE				
A1	REV	DRAFT WHERE APPLICABLE MUST REMAIN WITHIN DIMENSIONS		APPROVED BY JENNY	DATE 2006/04/18	MOLEX INCORPORATED		MATERIAL NO. 47322-0001	DOCUMENT NO. SD-47322-001	SHEET NO. 1 OF 4
		THIS DRAWING CONTAINS INFORMATION THAT IS PROPRIETARY TO MOLEX INCORPORATED AND SHOULD NOT BE USED WITHOUT WRITTEN PERMISSION								

9 8 7 6 5 4 3 2 1



- NOTES:
- CONNECTOR DESIGN BASED ON EXPRESSCARD STANDARD;
 - MATERIAL:
 - HOUSING: LIQUID CRYSTAL POLYMER,
 - TERMINAL: PHOSPHOR BRONZE,
 - FITTING-NAIL: PHOSPHOR BRONZE,
 - PICK AND PLACE COVER: NYLON 46,
 - FINISH:
 - TERMINAL:
 - UNDERPLATING: Ni OVERALL,
 - SELECTIVE GOLD ON CONTACT AREA,
 - THICKNESS: 15 MICROINCH MINIMUM,
 - SELECTIVE PURE TIN ON SOLDER TAIL AREA,
 - THICKNESS: 40-100 MICROINCH,
 - COPLANARITY AT SOLDER TAIL TO BE 0.10 MAXIMUM;
 - APPLICABLE CARD SLOT PLEASE REFER TO SHEET 3
 - PRODUCT SPECIFICATION PLEASE REFER TO PS-47277-001
 - 47322-0002 COMPLIANT TO RoHS DIRECTIVE 2002/95/EC AND ELV DIRECTIVE 2000/53/EC.

EC NO: SH2007-0352 DRWN: OCHEN 2006/11/17 CHKD: HARVEY 2006/11/22 APPR: JNCHEN 2006/11/28	QUALITY SYMBOLS $\nabla = 0$ $\triangle = 0$	GENERAL TOLERANCES (UNLESS SPECIFIED)		DIMENSION STYLE MM ONLY		SCALE NTS	DESIGN UNITS METRIC	THIRD ANGLE PROJECTION	
		4 PLACES \pm --- \pm --- 3 PLACES \pm --- \pm --- 2 PLACES ± 0.25 \pm --- 1 PLACE ± 0.30 \pm --- ANGULAR $\pm 3^\circ$	DRAWN BY R. BIAN DATE 2005/05/20	TITLE EXPRESSCARD 34MM BOTTOM MOUNT PUSH-PUSH TYPE		MOLEX INCORPORATED		SHEET NO. 2 OF 4	
A1	DRAFT WHERE APPLICABLE MUST REMAIN WITHIN DIMENSIONS	MATERIAL NO. 47322-0002		DOCUMENT NO. SD-47322-001		THIS DRAWING CONTAINS INFORMATION THAT IS PROPRIETARY TO MOLEX INCORPORATED AND SHOULD NOT BE USED WITHOUT WRITTEN PERMISSION			



NOTES:

1. CONNECTOR DESIGN BASED ON EXPRESSCARD STANDARD;
2. THIS SLOT CAN ACCEPT ONLY 34MM EXPRESSCARD;
3. WHEN DELIVERING, THE CAM SLIDER MUST KEEP RELEASE STATUS;
4. PRODUCT SPEC PLEASE REFER TO PS-47277-001;
5. MATERIAL:

COIL SPRING: PIANO STEEL
 EJECTOR HOUSING: NYLON 46
 HOUSING SLOT: NYLON 46
 SHELL: STAINLESS STEEL
 CAM PIN: STAINLESS STEEL

6. 47322-0003 COMPLIANT TO RoHS DIRECTIVE
 2002/95/EC AND ELV DIRECTIVE 2000/53/EC.

EC NO: SH2007-0352	2006/11/17
DRWN: OCHEN	2006/11/22
CHKD: HARVEY	2006/11/28
APPR: JNCHEN	
REV	DESCRIPTION
A1	

QUALITY SYMBOLS
▽=0
▽C=0

GENERAL TOLERANCES (UNLESS SPECIFIED)	
	mm INCH
4 PLACES	± --- ± ---
3 PLACES	± --- ± ---
2 PLACES	± 0.25 ± ---
1 PLACE	± 0.30 ± ---
ANGULAR ± 3 °	
DRAFT WHERE APPLICABLE MUST REMAIN WITHIN DIMENSIONS	

DIMENSION STYLE MM ONLY	
DRAWN BY	DATE
R. BIAN	2005/05/20
CHECKED BY	DATE
HARVEY	2006/04/18
APPROVED BY	DATE
JENNY	2006/04/18
MATERIAL NO.	47322-0003
SIZE	A3

SCALE NTS	DESIGN UNITS METRIC	THIRD ANGLE PROJECTION
TITLE EXPRESSCARD 34MM BOTTOM MOUNT PUSH-PUSH TYPE		
MOLEX INCORPORATED		
DOCUMENT NO. SD-47322-001	SHEET NO. 3 OF 4	
THIS DRAWING CONTAINS INFORMATION THAT IS PROPRIETARY TO MOLEX INCORPORATED AND SHOULD NOT BE USED WITHOUT WRITTEN PERMISSION		

10 9 8 7 6 5 4 3 2 1

F

E

D

C

B

A

F

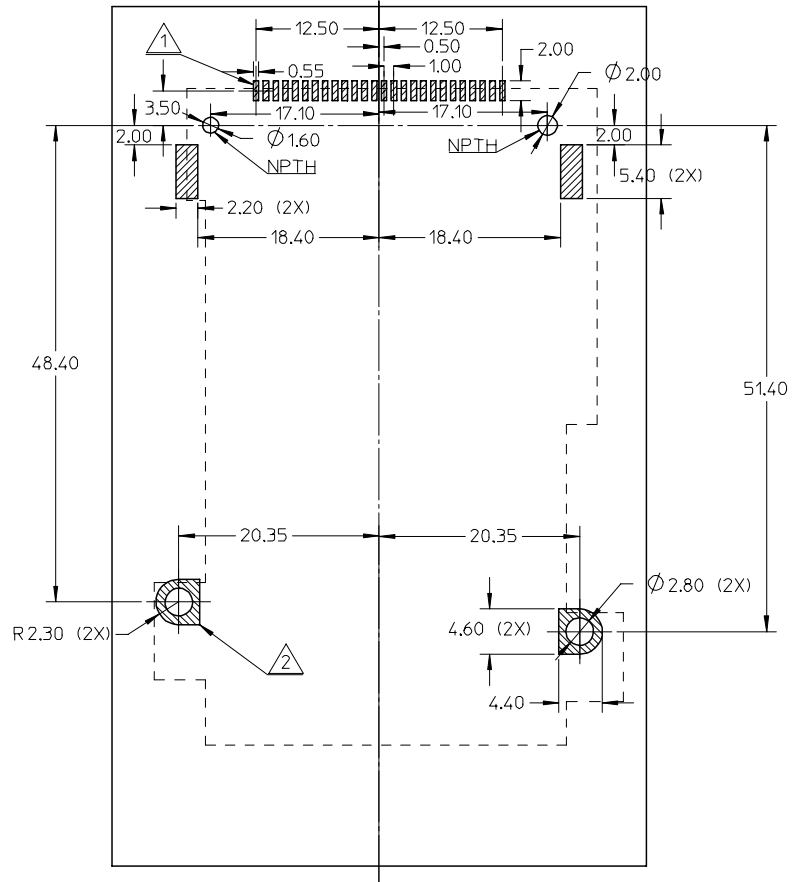
E

D

C

B

A



NOTES:

- 1. SOLDER PAD AREA
- 2. GROUNDING PAD AREA

RECOMMENDED PCB LAYOUT
COMPONENT SIDE

EC NO: SH2007-0352 DRWN: OCHEN 2006/11/17 CHKD: HARVEY 2006/11/22 APPR: JNCHEN 2006/11/28	QUALITY SYMBOLS ▽=0 ▽=0	GENERAL TOLERANCES (UNLESS SPECIFIED)		DIMENSION STYLE MM ONLY		SCALE NTS	DESIGN UNITS METRIC	THIRD ANGLE PROJECTION			
			mm	INCH	DRAWN BY R. BIAN	DATE 2005/05/20	EXPRESSCARD 34MM BOTTOM MOUNT PUSH-PUSH TYPE				
		4 PLACES	± ---	± ---	CHECKED BY HARVEY	DATE 2006/04/18					
		3 PLACES	± ---	± ---	APPROVED BY JENNY		DATE 2006/04/18	MOLEX INCORPORATED			
2 PLACES	± 0.05	± ---	MATERIAL NO. N/A		DOCUMENT NO. SD-47322-001	SHEET NO. 4 OF 4					
1 PLACE	±	± ---	DRAFT WHERE APPLICABLE MUST REMAIN WITHIN DIMENSIONS							THIS DRAWING CONTAINS INFORMATION THAT IS PROPRIETARY TO MOLEX INCORPORATED AND SHOULD NOT BE USED WITHOUT WRITTEN PERMISSION	
A1	REV									SIZE A3	

9 8 7 6 5 4 3 2 1