

RECOMMENDED PCB LAYOUT  
TOLERANCE: ±0.05

NOTE:

1.MATERIAL:

HOUSING: HIGH TEMPERATURE THERMOPLASTIC,COLOR:BLACK  
TERMINAL: BeCu-TM04,THICKNESS:0.15mm

2.FINISH:

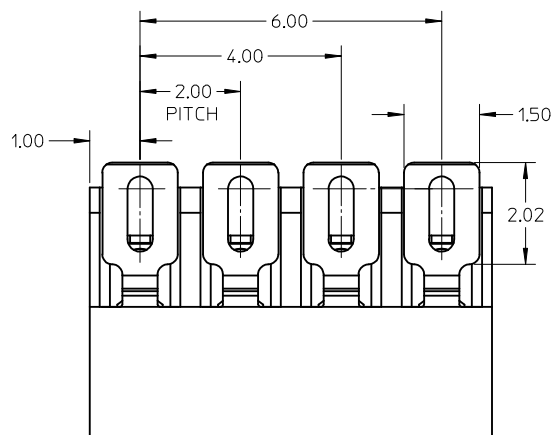
CONTACT AREA: 0.75 MICRON GOLD MIN OVER 1.25 MICRON NICKEL MIN.  
SOLDER AREA: GOLD FLASH (0.075-0.125 MICRON) OVER 1.25 MICRON NICKEL MIN.  
REST AREA: 1.25 MICRON NICKEL MIN.

3.COPLANARITY: 0.08 MAX AMONG THESE SOLDER TAILS.

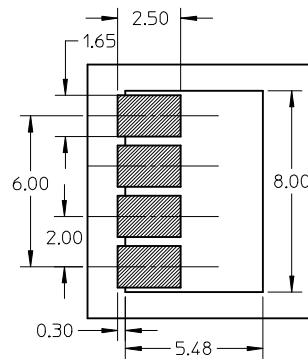
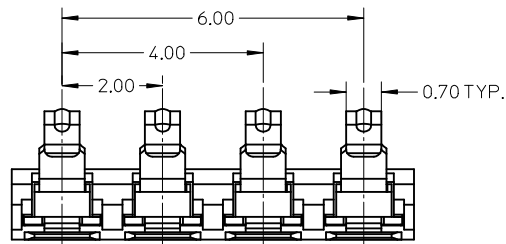
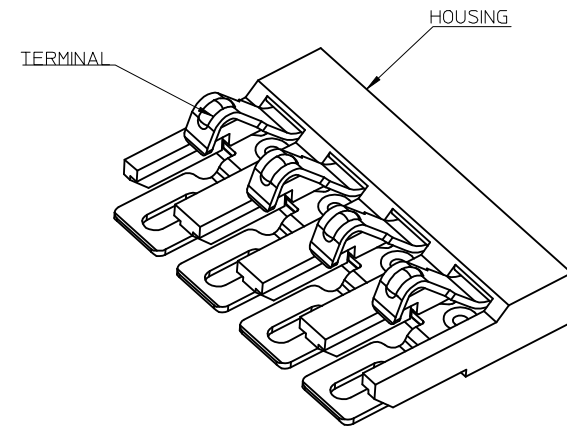
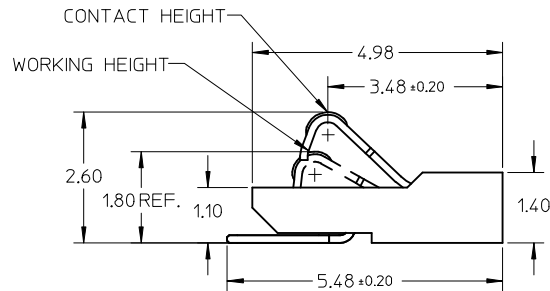
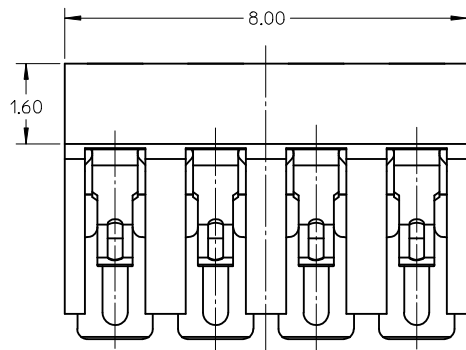
4.PRODUCT SPECIFICATION: PS-47420-001

5.WORKING RANGE: 1.55 - 1.95MM COUNTED FROM TOP OF PCB

6.NORMAL FORCE AT 0.8 DEFLECTION IS 110±25 GRAMS.



NEW RELEASE EC NO: SH2007-0482 DRW: LHSN 2007/01/18 CHK: XU XIANG 2007/01/19 APPR: JINCHEN 2007/01/19 REV A	QUALITY SYMBOLS ▽=0 ▽=0	GENERAL TOLERANCES (UNLESS SPECIFIED) mm INCH 4 PLACES ± --- ± --- 3 PLACES ± --- ± --- 2 PLACES ± 0.15 ± --- 1 PLACE ± 0.15 ± --- ANGULAR ± 2 °	DIMENSION STYLE MM ONLY DRAWN BY: LHSN CHECKED BY: APPROVED BY: MATERIAL NO. 474200001	SCALE 5:1 DATE: 2006/02/21 DATE: DATE: DOCUMENT NO. SD-47420-001	DESIGN UNITS METRIC THIRD ANGLE PROJECTION TITLE 2.0MM PITCH 4 CIRCUITS 0.7MM CONTACT WIDTH BATTERY CONNECTOR MOLEX INCORPORATED	SHEET NO. 1 OF 1
	DRAFT WHERE APPLICABLE MUST REMAIN WITHIN DIMENSIONS	THIS DRAWING CONTAINS INFORMATION THAT IS PROPRIETARY TO MOLEX INCORPORATED AND SHOULD NOT BE USED WITHOUT WRITTEN PERMISSION				



RECOMMENDED PCB LAYOUT  
TOLERANCE: ± 0.05

NOTE:

1.MATERIAL:

HOUSING: HIGH TEMPERATURE THERMOPLASTIC,COLOR:BLACK  
TERMINAL: BeCu-TM04,THICKNESS:0.15mm

2.FINISH:

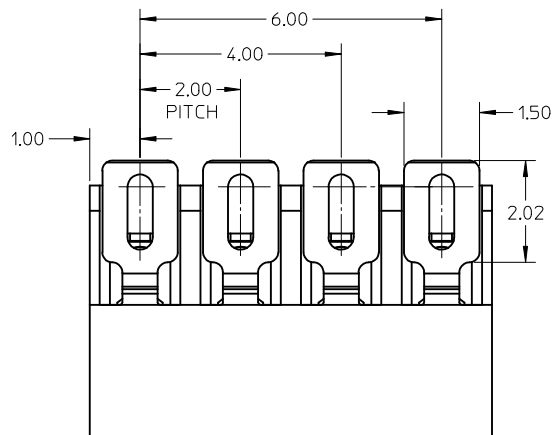
CONTACT AREA: 0.75 MICRON GOLD MIN OVER 1.25 MICRON NICKEL MIN.  
SOLDER AREA: GOLD FLASH (0.075-0.125 MICRON) OVER 1.25 MICRON NICKEL MIN.  
REST AREA: 1.25 MICRON NICKEL MIN.

3.COPLANARITY: 0.08 MAX AMONG THESE SOLDER TAILS.

4.PRODUCT SPECIFICATION: PS-47420-001

5.WORKING RANGE: 1.55 - 1.95MM COUNTED FROM TOP OF PCB

6.NORMAL FORCE AT 0.8 DEFLECTION IS 110±25 GRAMS.



NEW RELEASE EC NO: SH2007-0482 DRW: LHSN 2007/01/18 CHK: XU XIANG 2007/01/19 APPR: JINCHEN 2007/01/19 REV: A	QUALITY SYMBOLS ▽=0 ▽=0	GENERAL TOLERANCES (UNLESS SPECIFIED) mm INCH 4 PLACES ± --- ± --- 3 PLACES ± --- ± --- 2 PLACES ± 0.15 ± --- 1 PLACE ± 0.15 ± --- ANGULAR ± 2 °	DIMENSION STYLE MM ONLY DRAWN BY: LHSN DATE: 2006/02/21 CHECKED BY: DATE: APPROVED BY: DATE:	SCALE 5:1 DESIGN UNITS METRIC THIRD ANGLE PROJECTION	TITLE 2.0MM PITCH 4 CIRCUITS 0.7MM CONTACT WIDTH BATTERY CONNECTOR
	DRAFT WHERE APPLICABLE MUST REMAIN WITHIN DIMENSIONS	MATERIAL NO. 474200001	DOCUMENT NO. SD-47420-001	SHEET NO. 1 OF 1	MOLEX INCORPORATED
	THIS DRAWING CONTAINS INFORMATION THAT IS PROPRIETARY TO MOLEX INCORPORATED AND SHOULD NOT BE USED WITHOUT WRITTEN PERMISSION				
	SIZE: A3				