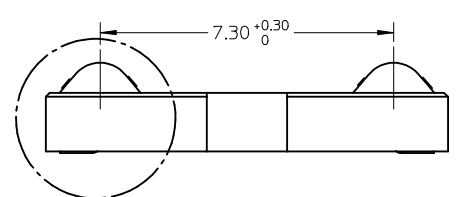
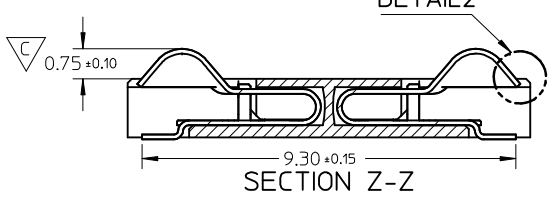


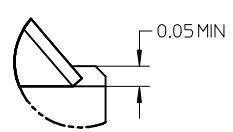
RECOMMENDED PCB LAYOUT



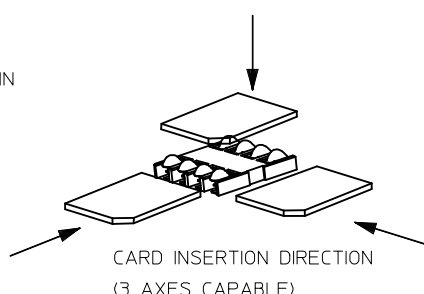
SCALE 20:1



SECTION Z-Z



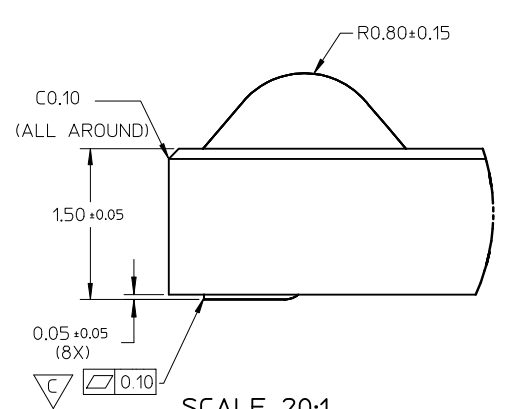
DETAIL 2



CARD INSERTION DIRECTION
(3 AXES CAPABLE)

NOTES:

- 1.MATERIAL:HOUSING---LCP 30% GLASS FILL
UL94 V-0,COLOR BLACK
TERMINAL---PHOSPHOR BRONZE 0.12MM REF THICKNESS
- 2.PLATING:TERMINAL:SIM SIDE---0.8 MICROMETER MIN GOLD
SOLDER TAIL---GOLD FLASH 0.05 MICROMETER MIN
UNDERPLATING---2 MICROMETER NICKEL OVERALL
- 3.NO SHARP EDGES INTERFACING WITH THE PCB OR SIM CARD
- 4 CONTACT MUST NOT EXTENDED BEYOND HOUSING EDGE DURING DEFLECTION AND MUST LOWER THAN HOUSING LEVEL AFTER 3TIMES REFLOW
- 5 MAINTAIN IN CONTACT AREA
- 6 THIS IS LEAD FREE PRODUCT



SCALE 20:1

NEW PRODUCT EC NO: DRW:CYZHU CHKD:YXU APPR: A	DESCRIPTION REV	2006/08/31	QUALITY SYMBOLS ▽=0 C=2		GENERAL TOLERANCES (UNLESS SPECIFIED)		DIMENSION STYLE MM ONLY		SCALE 5:1	DESIGN UNITS METRIC	THIRD ANGLE PROJECTION	
				mm	INCH	DRAWN BY CYZHU	DATE 2006/08/31	TITLE 8 CKT MEGA SIM CONNECTOR				
				4 PLACES ± --- ± ---	3 PLACES ± --- ± ---	2 PLACES ± 0.15 ± ---	1 PLACE ± 0.2 ± ---	APPROVED BY	DATE	MOLEX INCORPORATED		
				ANGULAR ± 2 °		DRAFT WHERE APPLICABLE MUST REMAIN WITHIN DIMENSIONS		MATERIAL NO. 474940001	DOCUMENT NO. SD-47494-001	SHEET NO. 1 OF 1		
SIZE A3							THIS DRAWING CONTAINS INFORMATION THAT IS PROPRIETARY TO MOLEX INCORPORATED AND SHOULD NOT BE USED WITHOUT WRITTEN PERMISSION					