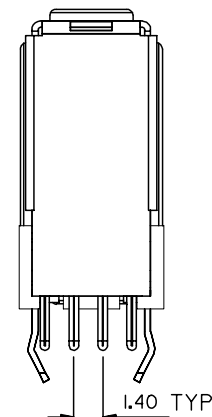
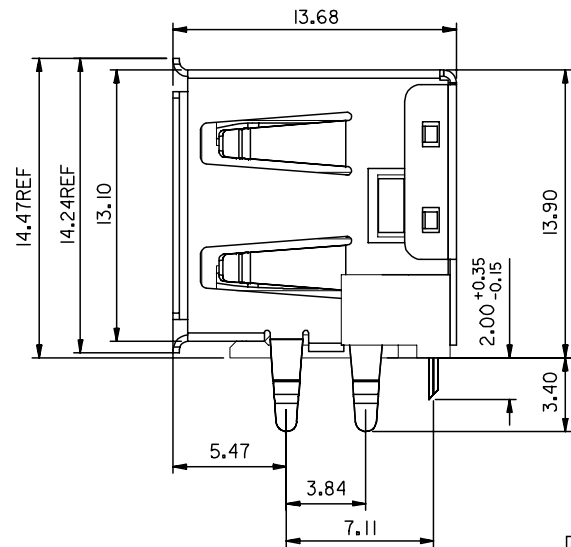
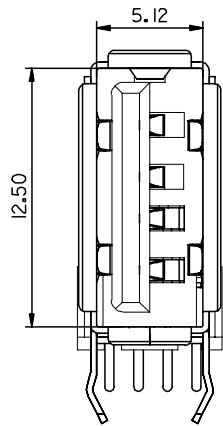
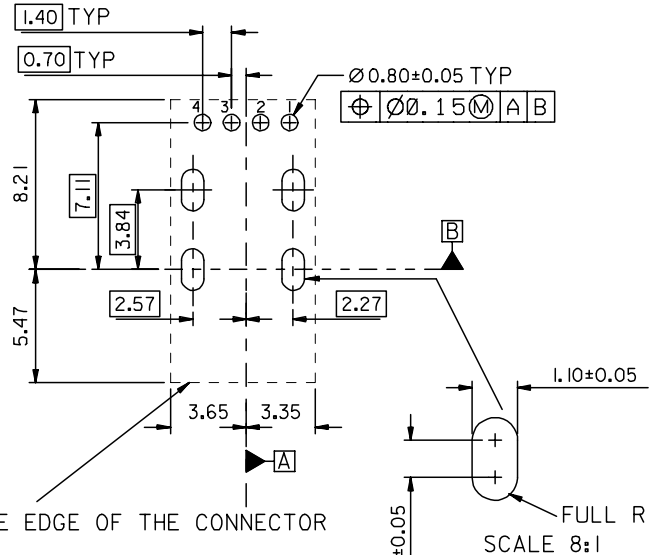
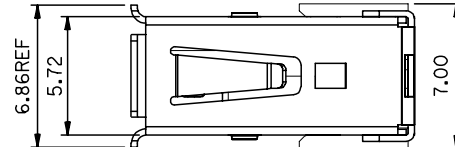
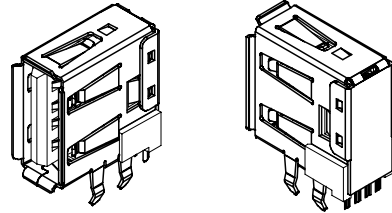


NOTES :

1. MATERIAL :  
 HOUSING : HIGH TEMPERATURE NYLON ,GLASS FIBER, UL94-V0 , COLOR: BLACK  
 TERMINAL : PHOSPHOR BRONZE  
 METAL SHELL : COPPER ALLOY
2. PLATING :  
 TERMINAL :  
 CONTACT AREA : (a) GOLD FLASH,  
 (b) GL0D (Au), THICKNESS = 30 MICROINCH/0.76 MICROMETER  
 SOLDER TAIL : PURE TIN(Sn), THICKNESS= 75 MICROINCH /1.9 MICROMETER  
 UNDER PLATE : NICKEL (Ni), THICKNESS= 50 MICROINCH/1.27 MICROMETER  
 METAL SHELL :  
 PURE TIN(Sn), THICKNESS=50-100MICROINCH /1.27-2.54MICROMETER.  
 UNDER PLATE : NICKEL (Ni), THICKNESS= 50 MICROINCH/1.27 MICROMETER  
 3 RECOMMENDED PCB THICKNESS : 1.20±0.05mm & 1.60±0.05 mm  
 4 PRODUCT SPECIFICATION : REFER TO PS-89485  
 5 PACKAGING SPECIFICATION : REFER TO PK-67329-001



THE EDGE OF THE CONNECTOR

FULL R TYPE  
SCALE 8:1

PART NUMBER LEGEND:

P/N	CONTACT PLATING
47500-0000	GOLD FLASH
47500-0001	0.76 MICROMETER/30 MICROINCH GOLD

NEW RELEASE	EC NO.	DRW: DAVID HU 2004/11/13	CHK: HARVEY 2004/11/13	APPR:
A	REV			

QUALITY SYMBOLS	MAJOR = 0	CRITICAL = 0
DESCRIPTION		

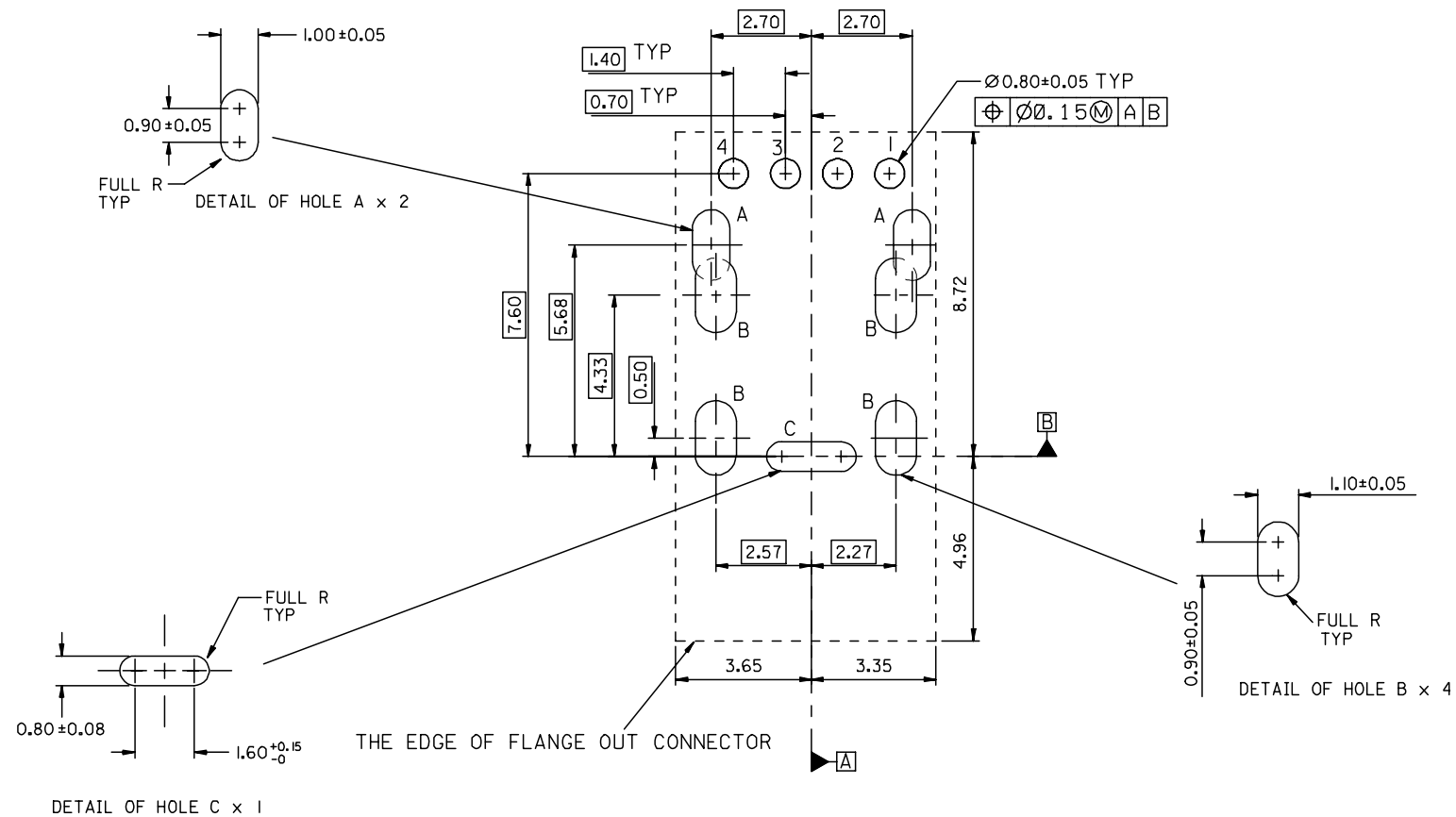
GENERAL TOLERANCES: (UNLESS SPECIFIED)	SCALE 4:1	DESIGN UNITS <input checked="" type="checkbox"/> mm <input type="checkbox"/> INCH	THIRD ANGLE PROJECTION <input type="checkbox"/> THIRD ANGLE <input checked="" type="checkbox"/> FIRST ANGLE
4 PLACES ±0.1	3 PLACES ±0.15	2 PLACES ±0.25	1 PLACE ±0.25
ANGULAR: ±3°	DRAFT WHERE APPLICABLE MUST REMAIN WITHIN DIMENSIONS		

DRAWN BY & DATE DAVID HU 2004/11/13	CHECKED BY & DATE HARVEY 2004/11/13	APPROVED BY & DATE VINCENT 2004/11/13
CAD FILENAME SD4750002S01	MATERIAL NO. 47500-000*	DRAWING NO. SD-47500-002

DIMENSIONS: <input type="checkbox"/> mm <input type="checkbox"/> INCH <input checked="" type="checkbox"/> mm ONLY		SHT 1 OF 1	A
TITLE: USB"A" UP-RIGHT CONNECTOR FLANGE OUT TYPE (LEAD-FREE)		MATERIAL NO. 47500-000*	
MATERIAL NO. 47500-000*		DRAWING NO. SD-47500-002	
DRAWING NO. SD-47500-002		SHEET NO. 1 OF 1	
THIS DRAWING CONTAINS INFORMATION THAT IS PROPRIETARY TO MOLEX INCORPORATED AND SHOULD NOT BE USED WITHOUT WRITTEN PERMISSION.			SIZE A3

DO NOT SCALE DRAWING

F  
E  
D  
C  
B  
A



NEW RELEASE EC NO: SH2005-0144 DRWN: DAVID HU 2004/11/13 CHKD: HARVEY 2004/12/07 APPR: YIYAP 2004/12/07	QUALITY SYMBOLS ▽=0 ▽C=0	GENERAL TOLERANCES (UNLESS SPECIFIED)		DIMENSION STYLE MM ONLY	SCALE 8:1	DESIGN UNITS METRIC	THIRD ANGLE PROJECTION		
		4 PLACES	± ---	± ---	DRAWN BY DAVID HU	DATE 2004/11/13	TITLE RECOMMENDED PCB LAYOUT FOR FLANGE OUT & STANDARD USB*A* UP RIGHT CONNECTOR (LEAD-FREE)		
		3 PLACES	± ---	±	CHECKED BY HARVEY	DATE 2004/11/29	MOLEX INCORPORATED		
		2 PLACES	± 0.25	± 0.10	APPROVED BY VINCENT	DATE 2004/11/29	DOCUMENT NO. SD-47500-003	SHEET NO. 1 OF 1	
		1 PLACE	± 0.25	± 0.10	MATERIAL NO. 47500-000*				
			ANGULAR ± 3°		DRAFT WHERE APPLICABLE MUST REMAIN WITHIN DIMENSIONS				
A	REV	SIZE A3 THIS DRAWING CONTAINS INFORMATION THAT IS PROPRIETARY TO MOLEX INCORPORATED AND SHOULD NOT BE USED WITHOUT WRITTEN PERMISSION							