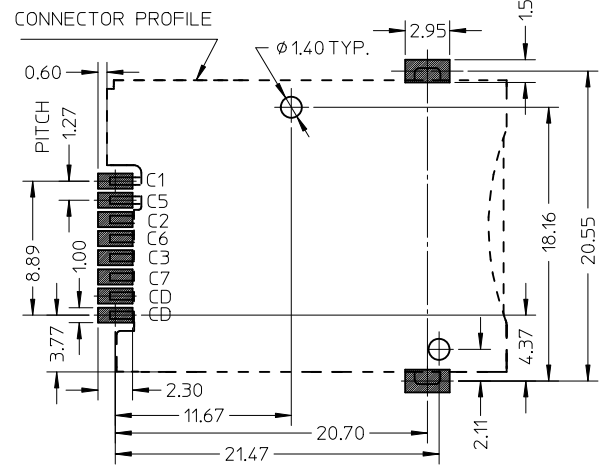
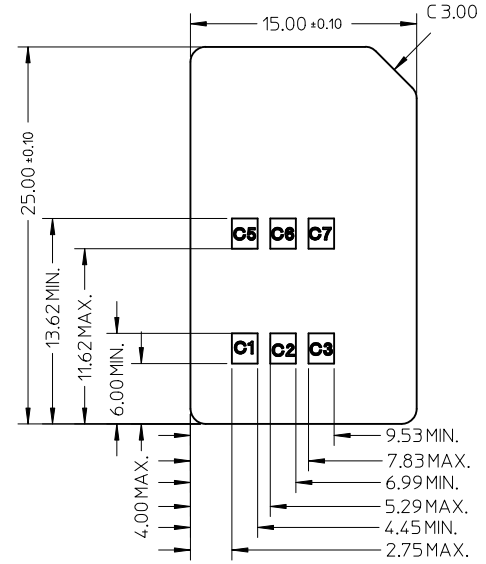
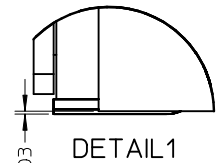
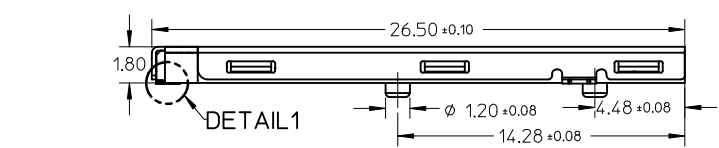


- NOTES:
- 1 FINISH:
- 1-1 TERMINAL :
    - 50-200μ NICKEL UNDER PLATED
    - 30μ MIN GOLD PLATING ON CONTACT AREA
    - 3μ MIN GOLD FLASH ON SOLDERING AREA
  - 1-2 SHELL :
    - 50-200μ NICKEL UNDER PLATED
    - 3μ MIN GOLD FLASH ON SOLDERING AREA
  - 1-3 DETECT PIN :
    - 50-200μ NICKEL UNDER PLATED
    - 3μ MIN GOLD PLATING ON CONTACT AREA
    - 3μ MIN GOLD FLASH ON SOLDERING AREA
  - 1-4 HOUSING:G/F 45%.UL94V-0.BLACK
  - 1-5 HEART CAM :G/F 30%.UL94V-0.BLACK
  - 2 SOLDER TAIL COPLANARITY:0.08MM MAX.
  - 3 TERMINAL TIP MUST SINK INTO HOUSING
  - 4 PRODUCT COMPLIANT TO ROHS DIRECTIVE 2002/95/EC AND ELV DIRECTIVE 2000/53/EC
  - 5 DETECT SWITCH: INSERT CARD=ON (NORMAL=OPEN)
  - 6 SPRING RISE UP DURING PUSH-PUSH PERIOD



NO.	DESCRIPTION	Q'TY	MATERIAL
1	HOUSING	1	HIGH TEMPERATURE THERMOPLASTIC
2	TERMINAL	6	COPPER ALLOY
3	DETECT PIN LOWER	1	COPPER ALLOY
4	DETECT PIN UPPER	1	COPPER ALLOY
5	SHELL	1	STAINLESS STEEL
6	COIL SPRING	1	PIANO WIRE
7	HEART CAM	1	NYLON
8	CAM PIN	1	STAINLESS STEEL

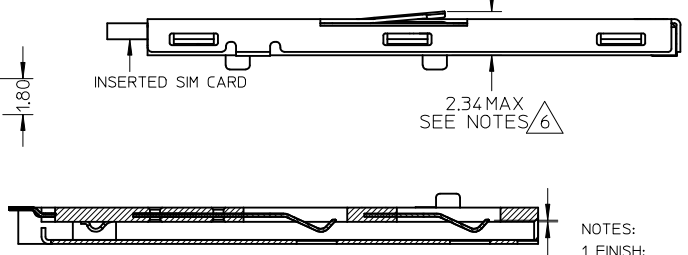
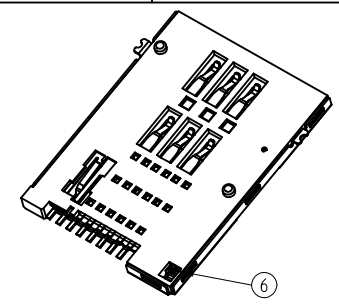
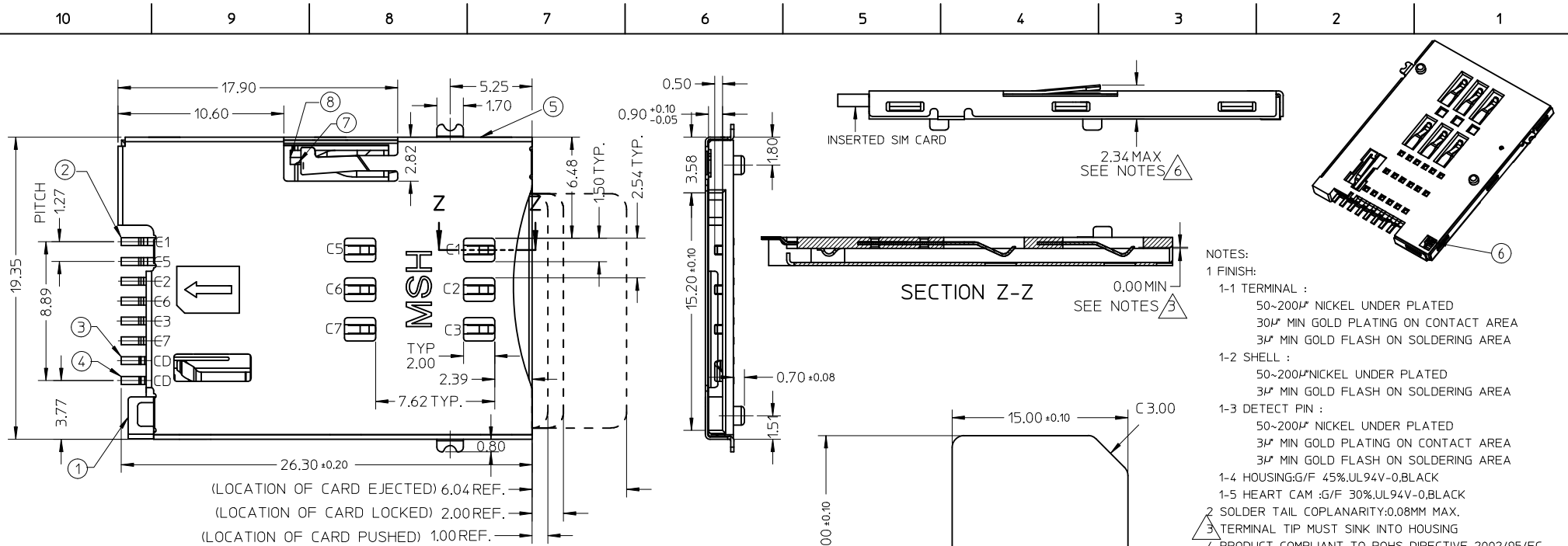


RECOMMENDED PCB LAYOUT TOLERANCE +/-0.05MM

NEW DIM TOL CTRL	EC NO: S2011-0880	2011/04/13	DRW:KHLIM	2011/04/15	CHKD:JIAN02	2011/05/27	APPR:SKTOH
REV	DESCRIPTION						
T1							

QUALITY SYMBOLS	$F_{\sigma} = 0$
	$F_{\sigma} = 0$
GENERAL TOLERANCES (UNLESS SPECIFIED)	mm
	INCH
DRAFT WHERE APPLICABLE MUST REMAIN WITHIN DIMENSIONS	4 PLACES ± --- ± ---
	3 PLACES ± --- ± ---
	2 PLACES ± 0.15 ± ---
	1 PLACE ± --- ± ---
ANGULAR ± ---°	

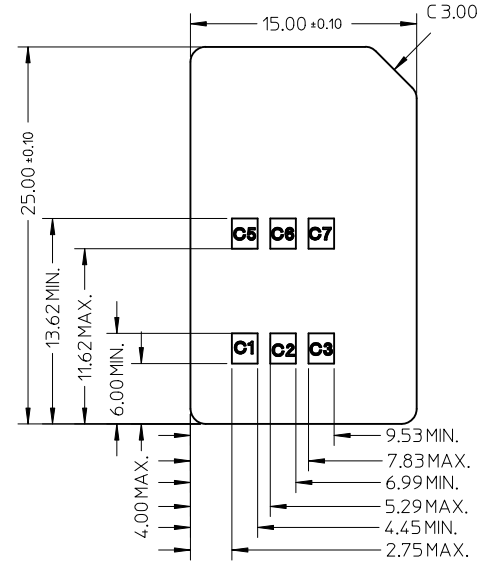
DIMENSION STYLE		SCALE	DESIGN UNITS	THIRD ANGLE PROJECTION
MM ONLY		NTS	METRIC	
DRAWN BY	DATE	TITLE		
LHSHEN	2007/07/09	PUSH PUSH 6 PINS SIM WITH DETECT PIN&POST SALES DRAWING		
CHECKED BY	DATE	MOLEX INCORPORATED		
XUXIANG	2007/08/30	DOCUMENT NO. SD-47553-101		
APPROVED BY	DATE	SHEET NO. 1 OF 1		
HWWANG	2007/08/30	THIS DRAWING CONTAINS INFORMATION THAT IS PROPRIETARY TO MOLEX INCORPORATED AND SHOULD NOT BE USED WITHOUT WRITTEN PERMISSION		
MATERIAL NO.	475531001			



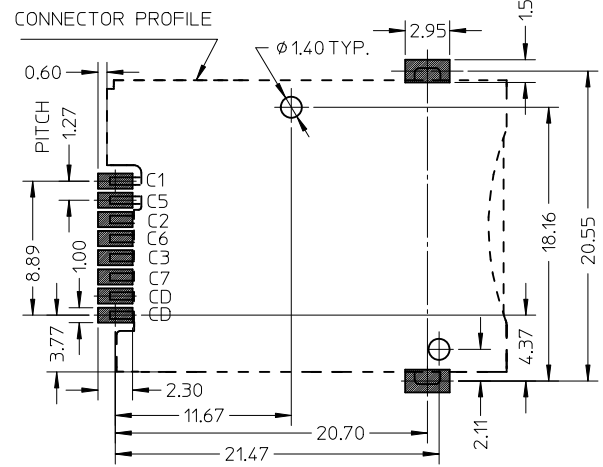
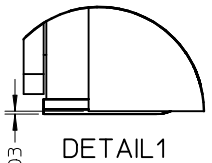
- NOTES:
- 1 FINISH:
- 1-1 TERMINAL :
    - 50-200μ NICKEL UNDER PLATED
    - 30μ MIN GOLD PLATING ON CONTACT AREA
    - 3μ MIN GOLD FLASH ON SOLDERING AREA
  - 1-2 SHELL :
    - 50-200μ NICKEL UNDER PLATED
    - 3μ MIN GOLD FLASH ON SOLDERING AREA
  - 1-3 DETECT PIN :
    - 50-200μ NICKEL UNDER PLATED
    - 3μ MIN GOLD PLATING ON CONTACT AREA
    - 3μ MIN GOLD FLASH ON SOLDERING AREA
  - 1-4 HOUSING:G/F 45%.UL94V-0.BLACK
  - 1-5 HEART CAM :G/F 30%.UL94V-0.BLACK
  - 2 SOLDER TAIL COPLANARITY:0.08MM MAX.
  - 3 TERMINAL TIP MUST SINK INTO HOUSING
  - 4 PRODUCT COMPLIANT TO ROHS DIRECTIVE 2002/95/EC AND ELV DIRECTIVE 2000/53/EC
  - 5 DETECT SWITCH: INSERT CARD=ON (NORMAL=OPEN)
  - 6 SPRING RISE UP DURING PUSH-PUSH PERIOD



NO.	DESCRIPTION	Q'TY	MATERIAL
1	HOUSING	1	HIGH TEMPERATURE THERMOPLASTIC
2	TERMINAL	6	COPPER ALLOY
3	DETECT PIN LOWER	1	COPPER ALLOY
4	DETECT PIN UPPER	1	COPPER ALLOY
5	SHELL	1	STAINLESS STEEL
6	COIL SPRING	1	PIANO WIRE
7	HEART CAM	1	NYLON
8	CAM PIN	1	STAINLESS STEEL



APPLICABLE CARD SIZE  
THICKNESS:0.76+/-0.08



RECOMMENDED PCB LAYOUT  
TOLERANCE +/-0.05MM

NEW DIM TOL CTRL	EC NO: S2011-0880	2011/04/13	DRW:KHLIM	2011/04/15	CHKD:JIAN02	2011/05/27	APPR:SKTOH
REV	DESCRIPTION	QUALITY SYMBOLS					
T1		F <sub>0</sub> =0 F <sub>C</sub> =0 F <sub>P</sub> =0					

GENERAL TOLERANCES (UNLESS SPECIFIED)	mm	INCH
	4 PLACES ± ---	± ---
	3 PLACES ± ---	± ---
	2 PLACES ± 0.15	± ---
	1 PLACE ± ---	± ---
	ANGULAR ± ---°	
DRAFT WHERE APPLICABLE MUST REMAIN WITHIN DIMENSIONS		

DIMENSION STYLE		SCALE	DESIGN UNITS	THIRD ANGLE PROJECTION
MM ONLY		NTS	METRIC	
DRAWN BY	DATE	TITLE		
LHSHEN	2007/07/09	PUSH PUSH 6 PINS SIM WITH DETECT PIN&POST SALES DRAWING		
CHECKED BY	DATE			
XUXIANG	2007/08/30			
APPROVED BY	DATE			
HWWANG	2007/08/30			
MATERIAL NO.	DOCUMENT NO.			
475531001	SD-47553-101			
SIZE	THIS DRAWING CONTAINS INFORMATION THAT IS PROPRIETARY TO MOLEX INCORPORATED AND SHOULD NOT BE USED WITHOUT WRITTEN PERMISSION			
A3				

MOLEX INCORPORATED		SHEET NO.
		1 OF 1