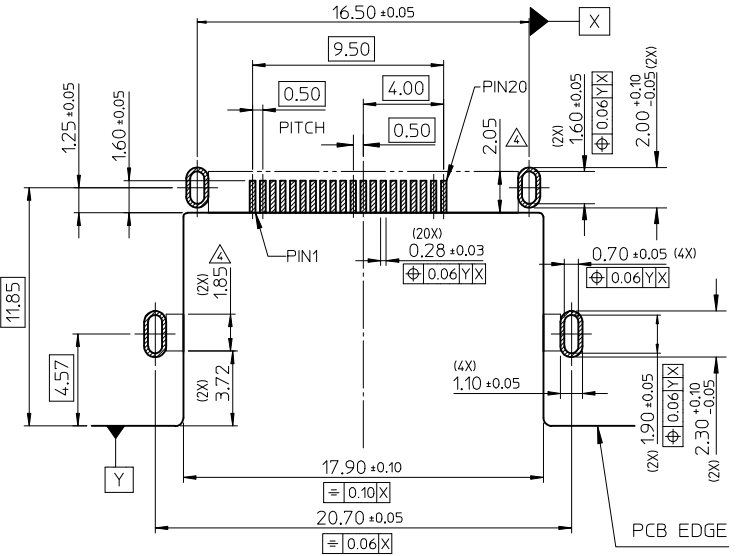
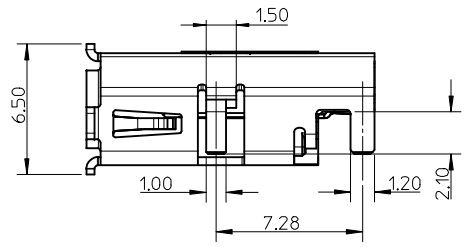
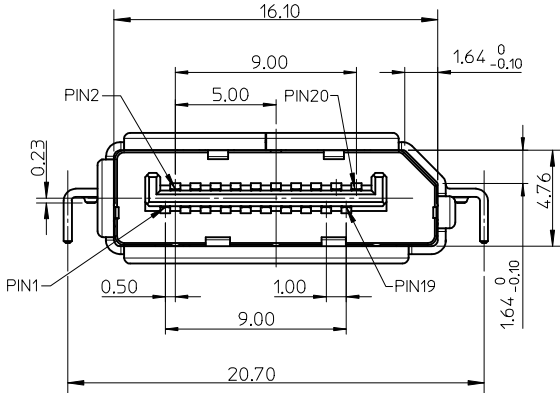
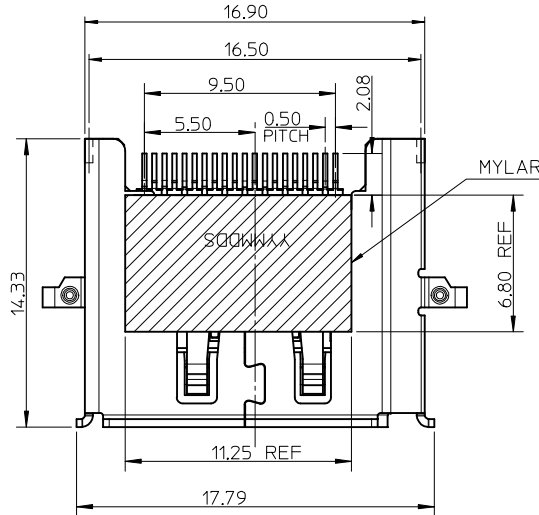
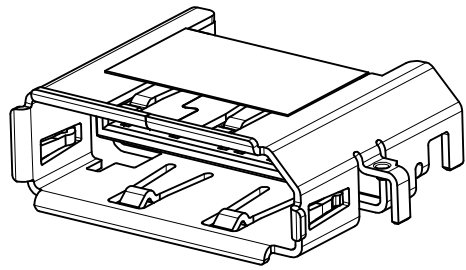


NOTES:

1. MATERIAL:  
HOUSING: HIGH TEMPERATURE THERMOPLASTIC, BLACK, UL94V-0.  
TERMINAL: COPPER ALLOY.  
SHELL: COPPER ALLOY.
2. PLATING:  
TERMINAL: CONTACT AREA: 0.76 MICROMETER GOLD PLATING,  
SOLDER TAIL: 1~3 MICROMETER MATT TIN PLATING  
UNDER PLATE: 1 MICROMETER MIN. NICKEL PLATING OVERALL.  
SHELL: 1.27~2.54 MICROMETER SOLDERABLE NICKEL PLATING OVERALL.
3. SOLDER TAIL COPLANARITY 0.10 MAX.
4. KEEPOUT AREA (NO TRACE HERE).
5. PRODUCT SPEC REFER TO PS-47272-001
6. PACKAGE SPEC REFER TO PK-47644-001



RECOMMENDED PCB LAYOUT (THICKNESS=1.2MM ± 0.05MM)



REVISED EC NO: SHZ015-0046 DRWR:RZHANG 2014/07/30 CHKD:RZHANG 2014/07/30 APPR:AY IN 2014/08/13	QUALITY SYMBOLS	GENERAL TOLERANCES (UNLESS SPECIFIED)		DIMENSION STYLE MM ONLY		SCALE 1:1	DESIGN UNITS METRIC	THIRD ANGLE PROJECTION	
	▽ <sub>A</sub> =0	4 PLACES	± ---	± ---	DRAWN BY HHE	DATE 2008/08/18	TITLE 0.23MM CENTER HIGHT SINK REVERSE TYPE DISPLAYPORT HEADER ASSEMBLY		
	▽ <sub>C</sub> =0	3 PLACES	± ---	± ---	CHECKED BY RZHANG	DATE 2008/08/18			
	▽ <sub>E</sub> =0	2 PLACES	± 0.25	± ---	APPROVED BY RZHANG	DATE 2010/03/26	MOLEX INCORPORATED		
▽ <sub>F</sub> =0	1 PLACE	± 0.25	± ---	MATERIAL NO. 476441001	DOCUMENT NO. SD-47644-002	SHEET NO. 1 OF 1			
A3	REV	DRAFT WHERE APPLICABLE MUST REMAIN WITHIN DIMENSIONS		THIS DRAWING CONTAINS INFORMATION THAT IS PROPRIETARY TO MOLEX INCORPORATED AND SHOULD NOT BE USED WITHOUT WRITTEN PERMISSION					