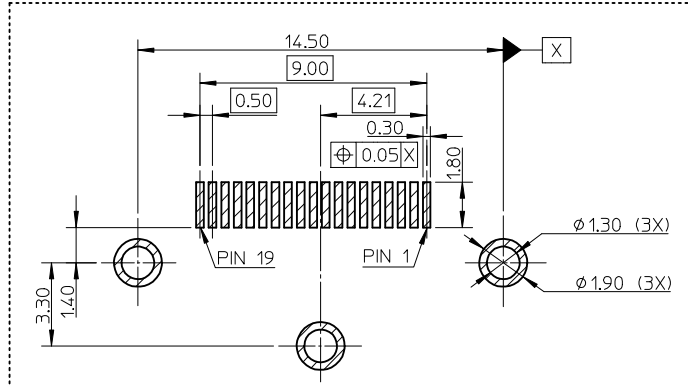
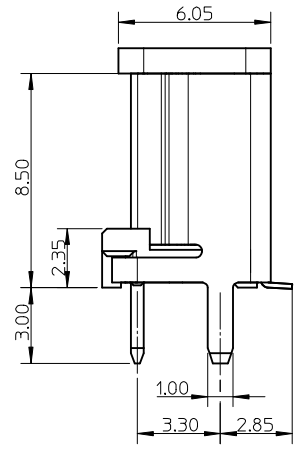
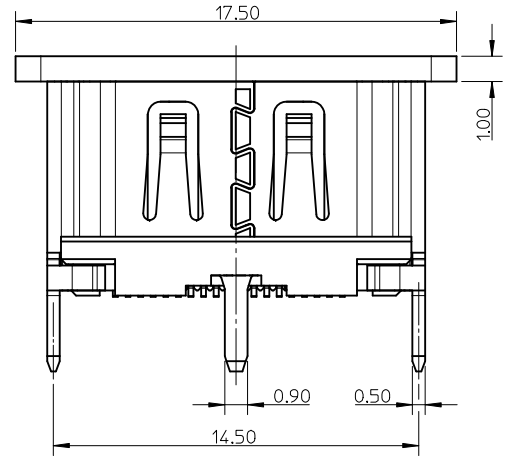
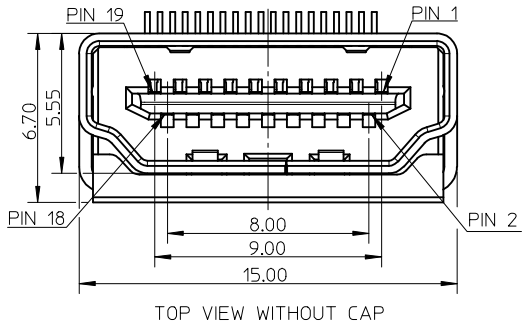
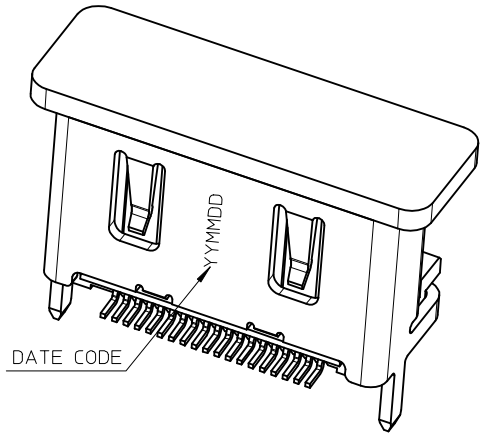
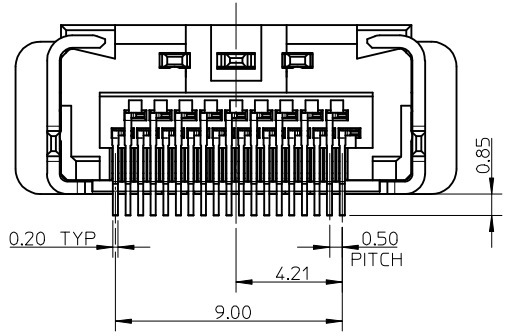


NOTES:

1. MATERIAL:
 - HOUSING: HIGH TEMPERATURE THERMAL PLASTIC, COLOR: BLACK;
 - SHELL: COPPER ALLOY;
 - TERMINAL: COPPER ALLOY.
2. PLATING:
 - TERMINAL:
 - CONTACT AREA: SEE TABLE;
 - SOLDER AREA: 1 MICROMETER MIN. TIN-BISMUTH ALLOY PLATED;
 - UNDER PLATE: 1.27 MICROMETER MIN. NICKEL.
 - SHELL: 1 MICROMETER MIN. SOLDERABLE NICKEL PLATING OVERALL.
3. COPLANARITY: 0.10mm MAX.
4. PRODUCT SPECIFICATION REFER TO PS-47152-001; TBA FOR PD/NI OPTION.
5. PACKAGE SPECIFICATION REFER TO PK-47659-001.
6. PRODUCT COMPLIANT TO RoHS DIRECTIVE 2011/65/EU AND ELV DIRECTIVE 2000/53/EC.



47659-1003	0.05 MICROMETER MIN. GOLD PLATING OVER 0.70 MICROMETER MIN. PD/NI PLATING
47659-1002	GOLD FLASH
47659-1001	0.38 MICROMETER MIN GOLD PLATING
47659-1000	0.76 MICROMETER MIN GOLD PLATING
P/N	CONTACT AREA PLATING



ADD NEW P/N EC NO: S2014-0433 DRW:HLWANG06 CHKD:ZENG APPR:KHLIM	2013/07/26 2014/01/21 2014/01/21	QUALITY SYMBOLS ▽=0 ◻=0	GENERAL TOLERANCES (UNLESS SPECIFIED)		DIMENSION STYLE	SCALE	DESIGN UNITS	THIRD ANGLE PROJECTION		
			mm	INCH	MM ONLY	5:1	METRIC			
			4 PLACES	± ---	± ---	DRAWN BY	DATE	TITLE	SALED DRAWING FOR HDMI RECEPTACLE VERTICAL SMT TYPE WITH HEIGHT 8.5	
			3 PLACES	± ---	± ---	CWTANG	2008/09/03			
2 PLACES	± 0.20	± ---	CHECKED BY	DATE		MOLEX INCORPORATED MOLEX INCORPORATED				
1 PLACE	± 0.30	± ---	XJSONG	2008/09/03						
ANGULAR ± 1/2°			APPROVED BY		DATE	DOCUMENT NO. SD-47659-100 SHEET NO. 1 OF 1				
DRAFT WHERE APPLICABLE MUST REMAIN WITHIN DIMENSIONS			HARVEY		2008/09/03					
MATERIAL NO.			SEE TABLE		THIS DRAWING CONTAINS INFORMATION THAT IS PROPRIETARY TO MOLEX INCORPORATED AND SHOULD NOT BE USED WITHOUT WRITTEN PERMISSION					
SIZE			A3							