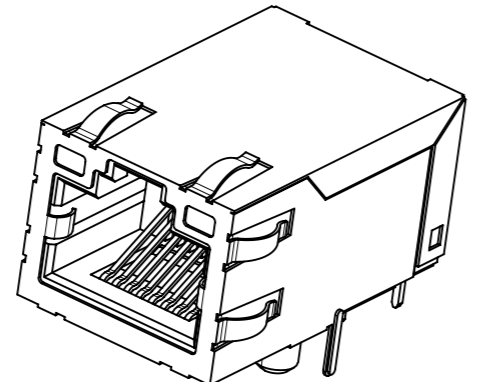
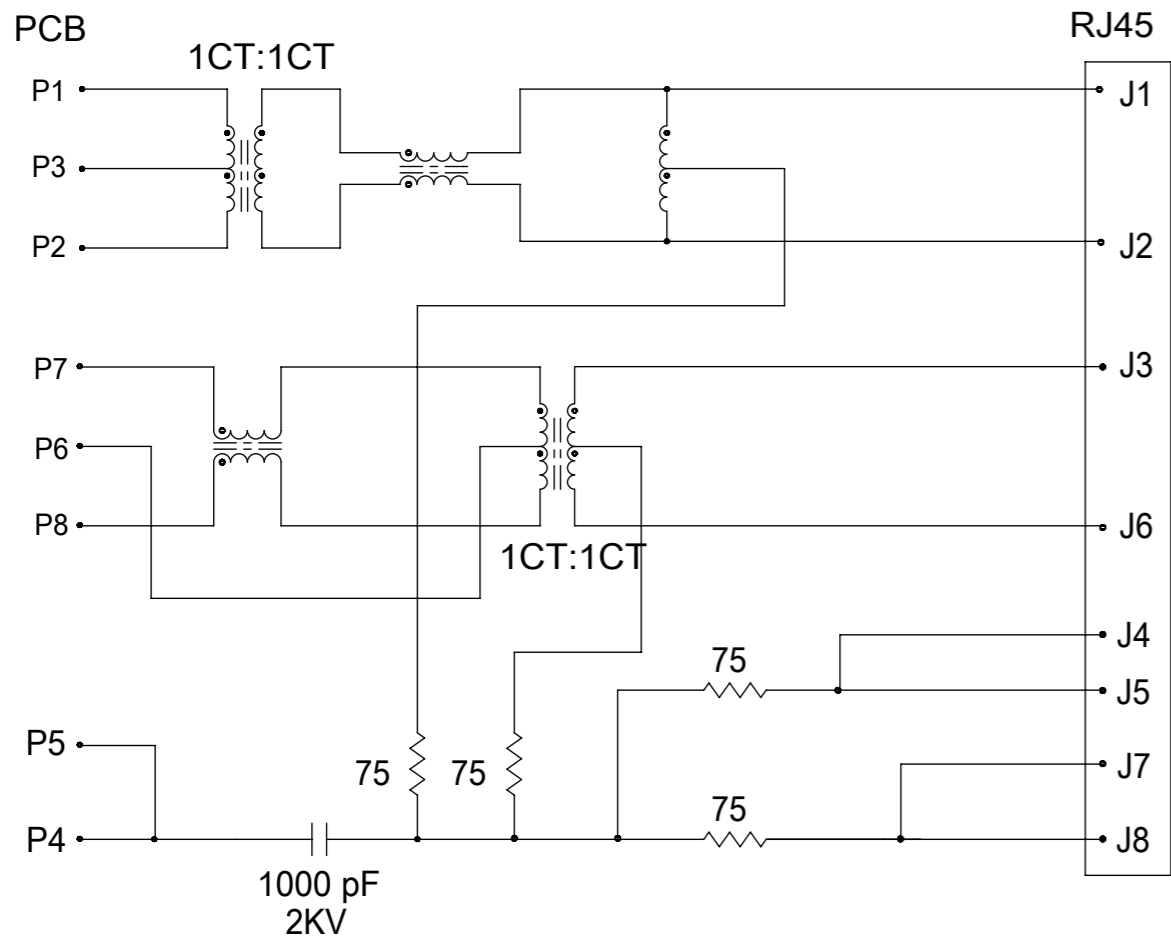


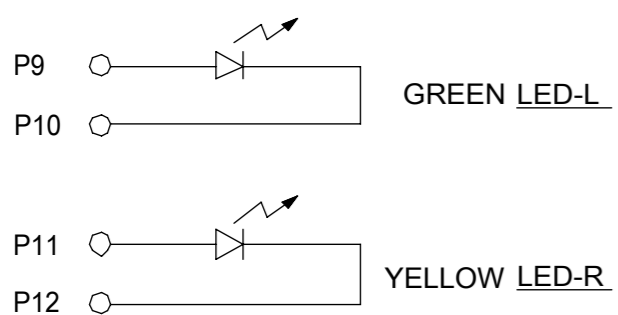
- NOTES:
- MATERIAL:
 - METAL SHELL: BRASS
 - HOUSING: POLYAMIDE, GLASS FIBER FILLED, UL94 V-0, COLOR BLACK
 - INSERT: POLYAMIDE, GLASS FIBER FILLED, UL94 V-0, COLOR BLACK
 - TERMINAL: PHOSPHOR BRONZE
 - PLATING:
 - TERMINAL:
 - CONTACT AREA: GOLD(Au), THICKNESS=50 MICROINCH/1.27 MICROMETER
 - SOLDER TAIL: TIN(Sn), THICKNESS=100 MICROINCH MINIMUM
 - UNDER PLATE: NICKEL (Ni).
 - METAL SHELL:
 - SOLDER TAIL: TIN(Sn), THICKNESS=100 MICROINCH MINIMUM
 - UNDER PLATE: NICKEL (Ni), (SOLDERING AVAILABLE)
 - SURFACE APPEARANCE: BRIGHT.
 - RECOMMENDED PCB THICKNESS: 1.60±0.05
 - PRODUCT SPECIFICATION REFER TO PS-48025-005
 - TEST SUMMARY REFER TO TS-48025-007
 - PACKAGING SPECIFICATION REFER TO PK-48025-001
 - LEAD FREE AND RoHS COMPLIANT PRODUCT.



SYMBOLS	THIS DRAWING CONTAINS INFORMATION THAT IS PROPRIETARY TO MOLEX ELECTRONIC TECHNOLOGIES, LLC AND SHOULD NOT BE USED WITHOUT WRITTEN PERMISSION		CURRENT REV DESC:		molex
	▽ = 0	mm	SCALE	2:1	
▽ = 0	GENERAL TOLERANCES (UNLESS SPECIFIED)		EC NO: 637574		MODULAR JACK WITH INTEGRATED MAGNETICS WITH LED
▽ = 0	ANGULAR TOL ± 3.0°		DRWN: CCHEN103 2019/08/30		
▽ = 0	4 PLACES	±	CHK'D: SHLENI 2020/05/28		PRODUCT CUSTOMER DRAWING
▽ = 0	3 PLACES	±	APPR: SHLENI 2020/05/28		
▽ = 0	2 PLACES	± 0.25	INITIAL REVISION:		DOCUMENT NUMBER
▽ = 0	1 PLACE	± 0.25	DRWN: ALLIN 2006/10/04		
▽ = 0	0 PLACES	±	APPR: WWSCHANG 2006/10/04		SD-48025-007
■ = 0	DRAFT WHERE APPLICABLE MUST REMAIN WITHIN DIMENSIONS		THIRD ANGLE PROJECTION	DRAWING	SERIES
▽ = 0				A3-SIZE	48025
			MATERIAL NUMBER	CUSTOMER	SHEET NUMBER
			48025-0091	GENERAL MARKET	1 OF 2



MAGNETIC SCHEMATIC



LED SCHEMATIC

MAGNETIC ELECTRICAL SPECIFICATION

PARAMETER	SPECIFICATIONS		
	100 KHz	1-125 MHz	
INSERTION LOSS	1.2 dB MAX	0.2+0.002*f^1.4 dB MAX	
RETURN LOSS (Z OUT=100 OHM±15%)	1-30 MHz	30-60 MHz	60-80 MHz
	16 dB MIN	10-20*LOG ₁₀ (f/60 MHz) dB MIN.	10 dB MIN.
INDUCTANCE (OCL) (MEDIA SIDE, 0° +70°C)	350 uH MIN (MEASURED AT 100 KHz, 100 mVRMS, AND WITH 8 mA DC BIAS)		
CROSSTALK, ADJACENT CHANNELS	1 MHz	10-100 MHz	
	50 dB MIN	50-17*LOG ₁₀ (f/10) dB MIN.	
COMMON MODE REJECTION RATIO	2 MHz	30-200 MHz	
	50 dB MIN	15-20*LOG ₁₀ (f/200) dB MIN.	
DC RESISTANCE 1/2 WINDING	0.60 OHMS MAX.		
DC RESISTANCE IMBALANCE	±0.065 OHMS MAX (CENTER TAP SYMMETRY)		
HI-POT ISOLATION	1500 VRMS AC		

NOTE: f IS FREQUENCY IN MHz.

LED ELECTRICAL SPECIFICATION

PARAMETER	YELLOW (TYP.)	GREEN (TYP.)	UNITS	TEST CONDITIONS
POWER DISSIPATION	105	105	mW	
REVERSE VOLTAGE	5	5	V	
PEAK WAVELENGTH	590	565	nm	IF=20mA
FORWARD VOLTAGE	2.1 MAX.=2.5	2.2 MAX.=2.5	V	IF=20mA

SYMBOLS DIMENSION UNITS SCALE ▽ = 0 mm 1:1 ▽ = 0 GENERAL TOLERANCES (UNLESS SPECIFIED) ▽ = 0 ANGULAR TOL ± 3.0° ▽ = 0 4 PLACES ± ▽ = 0 3 PLACES ± ▽ = 0 2 PLACES ± 0.25 ▽ = 0 1 PLACE ± 0.25 ▽ = 0 0 PLACES ± ■ = 0 DRAFT WHERE APPLICABLE MUST REMAIN WITHIN DIMENSIONS ▽ = 0	THIS DRAWING CONTAINS INFORMATION THAT IS PROPRIETARY TO MOLEX ELECTRONIC TECHNOLOGIES, LLC AND SHOULD NOT BE USED WITHOUT WRITTEN PERMISSION CURRENT REV DESC: EC NO: 637574 DRWN: CCHEN103 2019/08/30 CHK'D: SHLENI 2020/05/28 APPR: SHLENI 2020/05/28 INITIAL REVISION: DRWN: ALLIN 2006/10/04 APPR: WWSCHANG 2006/10/04			 MODULAR JACK WITH INTEGRATED MAGNETICS WITH LED PRODUCT CUSTOMER DRAWING		
	DOCUMENT NUMBER: SD-48025-007 DOC TYPE: PSD DOC PART: 001 REVISION: D1					
	DRAFT WHERE APPLICABLE MUST REMAIN WITHIN DIMENSIONS THIRD ANGLE PROJECTION DRAWING: A3-SIZE SERIES: 48025 MATERIAL NUMBER: 48025-0091 CUSTOMER: GENERAL MARKET SHEET NUMBER: 2 OF 2					