

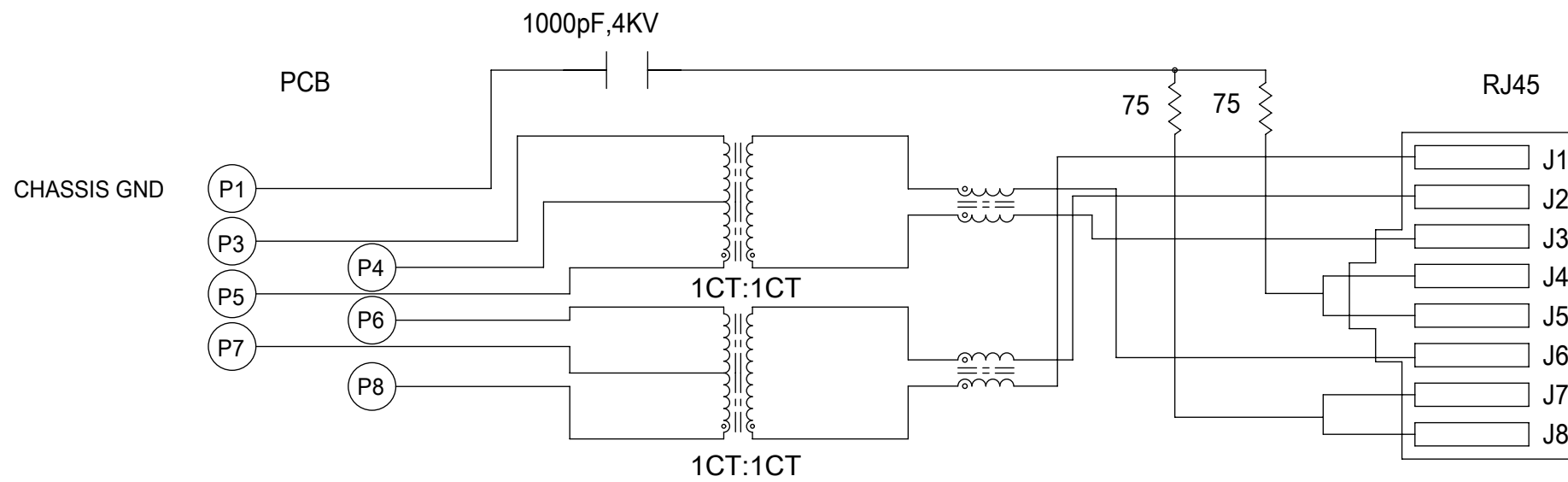
NOTES:

- MATERIAL:
METAL SHELL: BRASS
HOUSING: POLYAMIDE, GLASS FIBER FILLED, UL94-0,COLOR BLACK
INSERT: POLYAMIDE, GLASS FIBER FILLED, UL94-0,COLOR BLACK
TERMINAL: PHOSPHOR BRONZE
- PLATING:
TERMINAL:
CONTACT AREA: GOLD(Au), THICKNESS=50 MICROINCH/1.27 MICROMETER
SOLDER TAIL: TIN(Sn), THICKNESS=100 MICROINCH MINIMUM
UNDER PLATE: NICKEL (Ni).
METAL SHELL:
SOLDER TAIL: TIN(Sn), THICKNESS=100 MICROINCH MINIMUM
UNDER PLATE: NICKEL (Ni),(SOLDERING AVAILABLE)
SURFACE APPEARANCE: BRIGHT.
- RECOMMENDED PCB THICKNESS: 1.60±0.05
- PRODUCT SPECIFICATION REFER TO PS-48025-005
- TEST SUMMARY REFER TO TS-48025-011
- PACKAGING SPECIFICATION REFER TO PK-48025-001
- LEAD FREE AND RoHS COMPLIANT PRODUCT.

SYMBOLS		THIS DRAWING CONTAINS INFORMATION THAT IS PROPRIETARY TO MOLEX ELECTRONIC TECHNOLOGIES, LLC AND SHOULD NOT BE USED WITHOUT WRITTEN PERMISSION		CURRENT REV DESC:			molex		
DIMENSION UNITS	SCALE				DOC TYPE	DOC PART			
▽ = 0	mm	1:1				MODULAR JACK (4KV) WITH INTEGRATED MAGNETICS WITHOUT LED			
▽ = 0	GENERAL TOLERANCES (UNLESS SPECIFIED)								
▽ = 0	ANGULAR TOL ± 3.0°					PRODUCT CUSTOMER DRAWING			
▽ = 0	4 PLACES ±								
▽ = 0	3 PLACES ±					DOCUMENT NUMBER			
▽ = 0	2 PLACES ± 0.25								
▽ = 0	1 PLACE ± 0.25					SD-48025-011			
▽ = 0	0 PLACES ±								
■ = 0	DRAFT WHERE APPLICABLE MUST REMAIN WITHIN DIMENSIONS					PSD 001 C1			
▽ = 0	THIRD ANGLE PROJECTION								
		DRAWING		SERIES		MATERIAL NUMBER		CUSTOMER	
		B-SIZE		48025		48025-3090		GENERAL MARKET	
								SHEET NUMBER	
								1 OF 2	

ELECTRICAL SPECIFICATIONS:

- 1.0 TURNS RATIO:(P5-P4-P3):(J3-J6):1CT:1CT
(P8-P7-P6):(J1-J2):1CT:1CT
- 2.0 INDUCTANCE:(P8-P6):350uH MIN. @0.1V,100KHz,8mA DC Bias.
(P3-P5):350uH MIN. @0.1V,100KHz,8mA DC Bias.
- 3.0 LEAKAGE INDUCTANCE:P5-P3(WITH J6 AND J3 SHORT):0.3 MAX.@1MHz.
P8-P6(WITH J2 AND J1 SHORT):0.3 MAX.@1MHz.
- 4.0 INTERWINNING CAPACITANCE:(P5,P4,P3) TO (J6,J3):30pf MAX @1MHz.
(P8,P7,P6) TO (J2,J1):30pf MAX @1MHz.
- 5.0 DC RESISTANCE:(J6-J3)=(J2-J1):1.2 ohms Max.
- 6.0 RETURN LOSS:(P5-P3)=100 OHMS(P8-P6)=100 OHM REF.
1MHz TO 30MHz:18db min.:18dB MIN.
30MHz TO 80MHz:12db min.12dB MIN.
NOTE:100 OHMS CONNECTED TO (J2-J1) TO (J6-J3).
- 7.0 HI-POT:(J1,J2) TO (P8,P6):1500 VAC.
(J3,J6) TO (P5,P3):1500 VAC.
- 8.0 INSERTION LOSS:RS=RL=100 ohms:1.1 dB MAX.
100KHz TO 100MHz.
- 9.0 CROSS TALK:1-100 MHz:30 dB MIN.
- 10.0 COMMON TO COMMON MODE REJECTION:1MHz TO 100MHz:35 dB MIN.



MAGNETIC SCHEMATIC

THIS DRAWING CONTAINS INFORMATION THAT IS PROPRIETARY TO MOLEX ELECTRONIC TECHNOLOGIES, LLC AND SHOULD NOT BE USED WITHOUT WRITTEN PERMISSION																																										
SYMBOLS	DIMENSION UNITS	SCALE	CURRENT REV DESC:																																							
	mm	1:1	EC NO: 637574 DRWN: CCHEN103 2019/08/30 CHK'D: SHLENI 2020/05/28 APPR: SHLENI 2020/05/28 INITIAL REVISION: DRWN: ALLIN 2006/10/04 APPR: WWSCHANG 2006/10/04																																							
▽ = 0	GENERAL TOLERANCES (UNLESS SPECIFIED)		<table border="1"> <tr> <td colspan="3">molex</td> </tr> <tr> <td colspan="3">MODULAR JACK (4KV) WITH INTEGRATED MAGNETICS WITHOUT LED</td> </tr> <tr> <td colspan="3">PRODUCT CUSTOMER DRAWING</td> </tr> <tr> <td>DOCUMENT NUMBER</td> <td>DOC TYPE</td> <td>DOC PART</td> <td>REVISION</td> </tr> <tr> <td>SD-48025-011</td> <td>PSD</td> <td>001</td> <td>C1</td> </tr> <tr> <td>DRAFT WHERE APPLICABLE MUST REMAIN WITHIN DIMENSIONS</td> <td>THIRD ANGLE PROJECTION</td> <td>DRAWING</td> <td>SERIES</td> <td>MATERIAL NUMBER</td> <td>CUSTOMER</td> <td colspan="2">SHEET NUMBER</td> </tr> <tr> <td>▽ = 0</td> <td></td> <td>B-SIZE</td> <td>48025</td> <td>48025-3090</td> <td>GENERAL MARKET</td> <td colspan="2">2 OF 2</td> </tr> </table>							molex			MODULAR JACK (4KV) WITH INTEGRATED MAGNETICS WITHOUT LED			PRODUCT CUSTOMER DRAWING			DOCUMENT NUMBER	DOC TYPE	DOC PART	REVISION	SD-48025-011	PSD	001	C1	DRAFT WHERE APPLICABLE MUST REMAIN WITHIN DIMENSIONS	THIRD ANGLE PROJECTION	DRAWING	SERIES	MATERIAL NUMBER	CUSTOMER	SHEET NUMBER		▽ = 0		B-SIZE	48025	48025-3090	GENERAL MARKET	2 OF 2	
molex																																										
MODULAR JACK (4KV) WITH INTEGRATED MAGNETICS WITHOUT LED																																										
PRODUCT CUSTOMER DRAWING																																										
DOCUMENT NUMBER	DOC TYPE	DOC PART								REVISION																																
SD-48025-011	PSD	001	C1																																							
DRAFT WHERE APPLICABLE MUST REMAIN WITHIN DIMENSIONS	THIRD ANGLE PROJECTION	DRAWING	SERIES	MATERIAL NUMBER	CUSTOMER	SHEET NUMBER																																				
▽ = 0		B-SIZE	48025	48025-3090	GENERAL MARKET	2 OF 2																																				
▽ = 0	ANGULAR TOL	± 3.0°																																								
▽ = 0	4 PLACES	±																																								
▽ = 0	3 PLACES	±																																								
▽ = 0	2 PLACES	± 0.25																																								
▽ = 0	1 PLACE	± 0.25																																								
▽ = 0	0 PLACES	±																																								