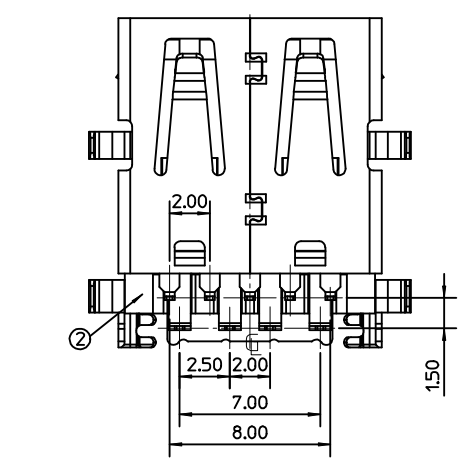
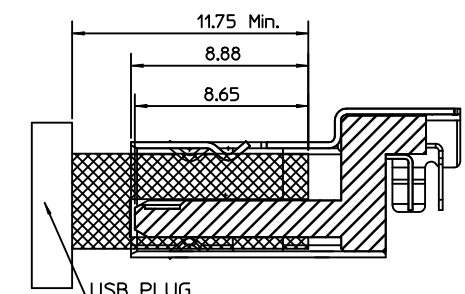
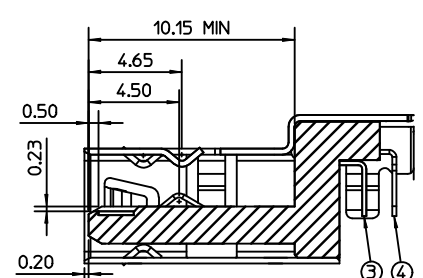
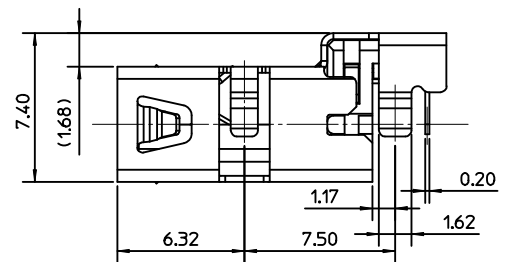
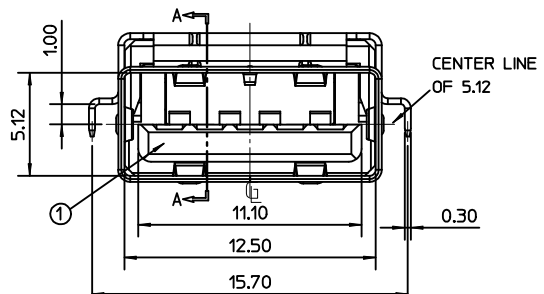


- NOTES:
- MATERIAL:
 - HOUSING: THERMOPLASTIC, HIGH TEMP., UL94V-0, COLOR: BLUE
 - CONTACT: COPPER ALLOY
 - SHELL: STAINLESS STEEL
 - FINISH:
 - CONTACT: PLS. SEE TABLE INFORMATION
 - SOLDER TAIL PLATING: MATT TIN OVER NICKEL
 - UNDERPLATING: NICKEL OVER ALL
 - SHELL: NICKEL PLATING OVER ALL
 - SPEC. PLS. REFER TO PS- 48395-001
 - PACKAGE PLS. REFER TO PK- 48395-001
 - LEAD FREE AND ROHS COMPLIANT PRODUCT
 - DATE CODE

YEAR: 1=2011
 MONTH: A(JAN), B(FEB)
 DATE: 8=08

1 A 08 X X
 REMARK
 PRODUCE PLACE



TABLE

PLATING	MOLEX P/N
30u GOLD	48395-0001
2u GOLD&30u Pd-Ni	48395-0002
15u GOLD	48395-0003
GOLD FLASH(3u MIN)	48395-0004

No.	DESCRIPTION	MATERIAL
5	METAL SHELL	STAINLESS STEEL
4	TERMINAL A	COPPER ALLOY
3	TERMINAL B	COPPER ALLOY
2	SPACER	THERMOPLASTIC
1	HOUSING	THERMOPLASTIC

SHELL	SHIELD
9	STDA_SSTX+
8	STDA_SSTX-
7	GND_DRAIN
6	STDA_SSRX+
5	STDA_SSRX-
4	GND
3	D+
2	D-
1	VBUS
PIN NO.	SIGNAL NAME

QUALITY SYMBOLS	GENERAL TOLERANCES (UNLESS SPECIFIED)
$F_A=0$	mm INCH
$F_C=0$	4 PLACES
$F_B=0$	3 PLACES
	2 PLACES ±0.25
	1 PLACE ±0.25
	ANGULAR ±3°
	DRAFT WHERE APPLICABLE
	MUST REMAIN WITHIN DIMENSIONS

DESIGNATION	DATE
DRAWN BY	DATE
Wan.Bo	2013/06/17
CHECKED BY	DATE
SAM	2013/06/17
APPROVED BY	DATE
JASON	2013/06/17
MATERIAL NO.	
SIZE	
A/4	

SCALE	DESIGN UNITS	THIRD ANGLE PROJECTION
1:1	METRIC	THIRD ANGLE PROJECTION
TITLE		
USB3.0 REVERSE SINK A		
TYPE CH=1.00mm T/H R/A		
MOLEX MOLEX INCORPORATED		
DOCUMENT NO.	SHEET NO.	
SD-48395-001	1 OF 1	