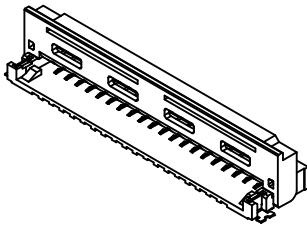
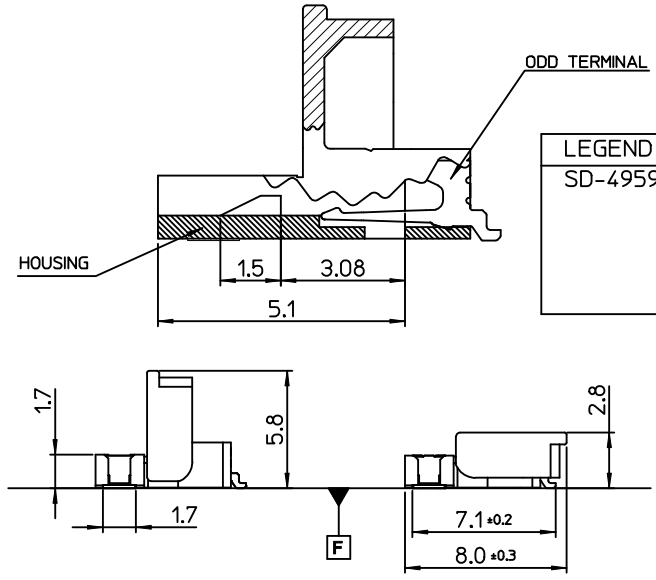
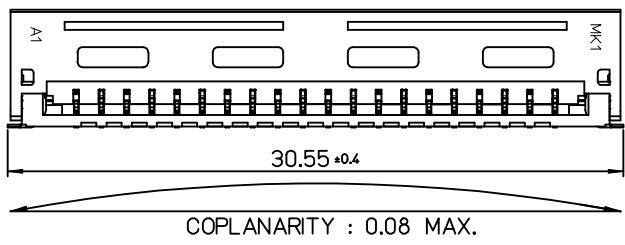
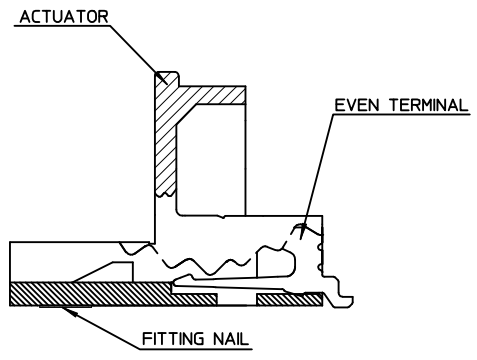
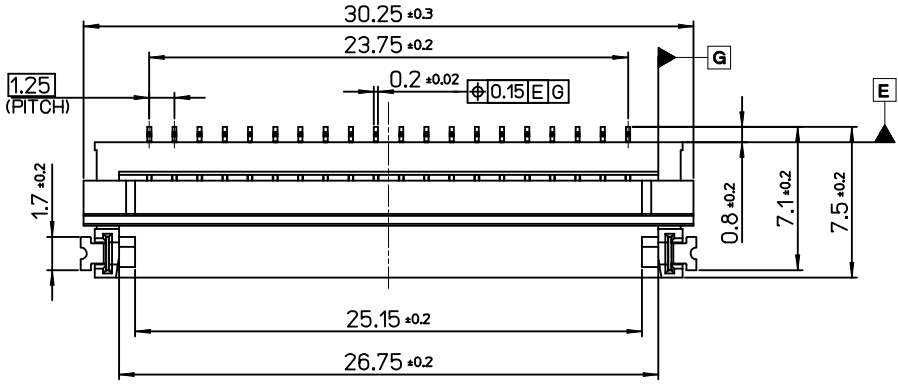


**LEAD-FREE**



**ISOMETRIC VIEW**

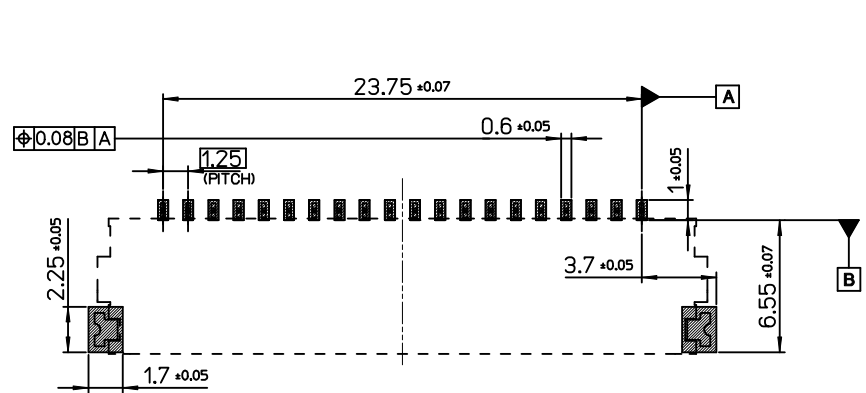


LEGEND	
SD-49597-20x7	COLOR
0	: NATURAL
1	: BLACK
3	: NATURAL, HALOGEN FREE
4	: BLACK, HALOGEN FREE

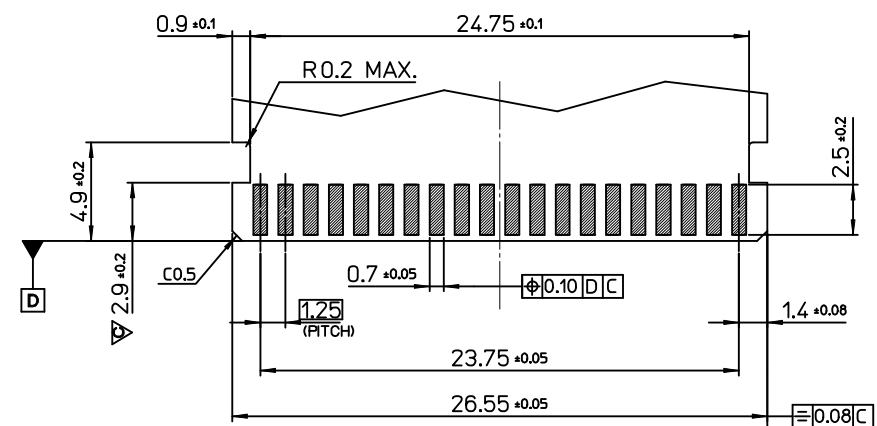
- NOTES**
- MATERIAL**
    - HOUSING : PA46 ,GLASS FILLED. UL94V-0, COLOR: BEIGE. LCP, GLASS FILLED. UL94V-0, COLOR: NATURAL
    - ACTUATOR : LCP, GLASS FILLED. UL94V-0, COLOR: NATURAL, BLACK.
    - TERMINAL : COPPER ALLOY.
    - FITTING NAIL : COPPER ALLOY.
  - FINISHES**
    - TERMINAL : Tin[Sn] OVER NICKEL[Ni] PLATING.
    - FITTING NAIL : TIN[Sn] OVER NICKEL[Ni] PLATING.
  - PRODUCT SPECIFICATION** : PS-49597-001
  - PACKING SPECIFICATION** : PK-49597-001
  - ACTUATOR IS OPEN IN THE EMBOSSED PACKING**

REVISED EC NO: KOR2016-0047 DRW:KTK1M01 2015/12/01 CHK:D-KSK IM 2015/12/01 APPR:YSK1M02 2015/12/07	QUALITY SYMBOLS ▽=0 ◻=0	GENERAL TOLERANCES (UNLESS SPECIFIED)		DIMENSION STYLE MM ONLY		SCALE	DESIGN UNITS	THIRD ANGLE PROJECTION	
		mm	INCH	DRAWN BY	DATE	TITLE	MOLEX INCORPORATED		
		4 PLACES ± --- ± ---	3 PLACES ± --- ± ---	JHLEE	2007/03/09	1.25 FPC/FFC B/F CONN HOUSING ASS'Y 20P (BOTTOM CONTACT)	SD-49597-001		
		2 PLACES ± 0.2 ± ---	1 PLACE ± 0.25 ± ---	KSK IM	2007/03/09	MOLEX INCORPORATED	SHEET NO. 1 OF 3		
		ANGULAR ± 1 °		APPROVED BY	DATE	DOCUMENT NO.			
		DRAFT WHERE APPLICABLE MUST REMAIN WITHIN DIMENSIONS		YSOOK IM	2007/03/09	SEE TABLE			
				MATERIAL NO.	THIS DRAWING CONTAINS INFORMATION THAT IS PROPRIETARY TO MOLEX INCORPORATED AND SHOULD NOT BE USED WITHOUT WRITTEN PERMISSION				

LEAD-FREE

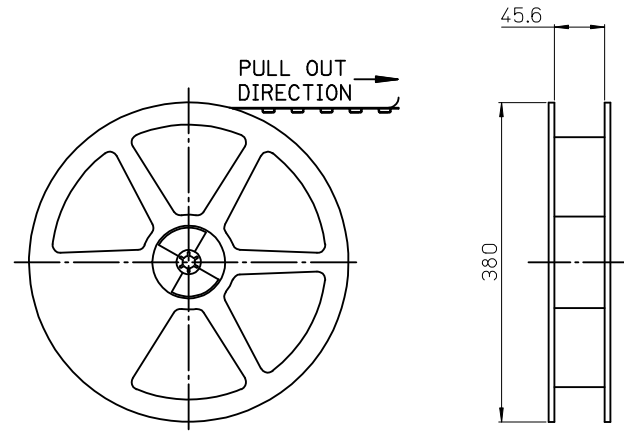
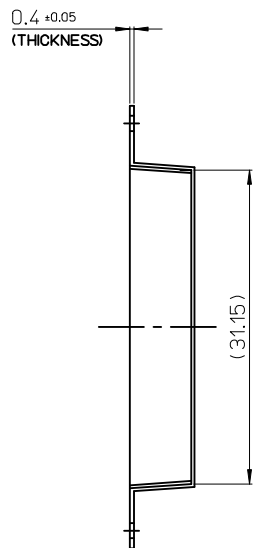
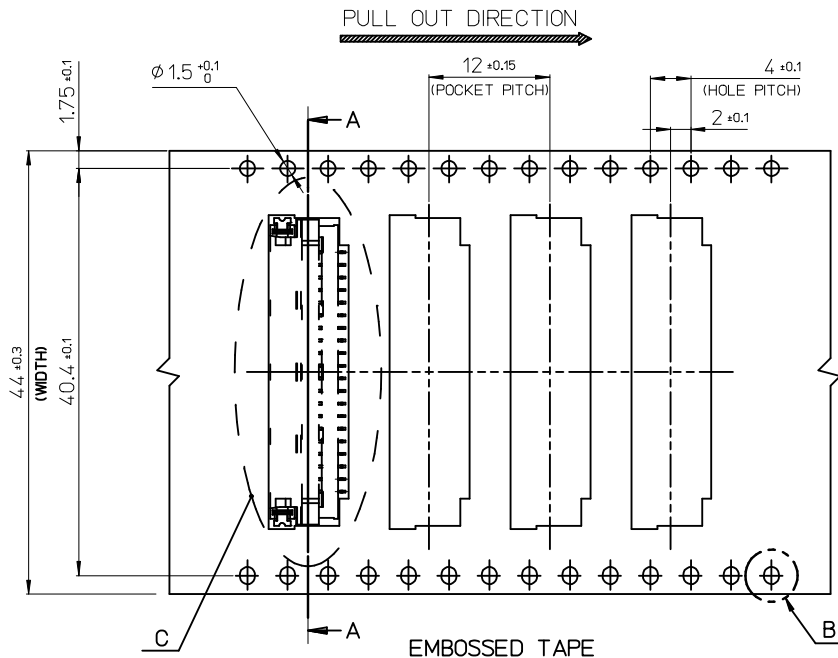


P.C. BOARD DIMENSION (RECOMMEND)



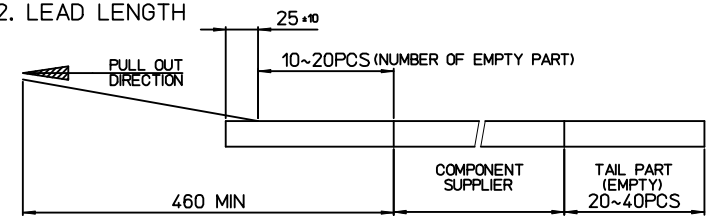
FPC/FFC DIMENSION (RECOMMEND)  
(FLIM THICKNESS = 0.3±0.05)

REVISED EC NO: KOR2016-0047 DRW:KTK/IM01 2015/12/01 CHK:D/KSK/IM 2015/12/01 APPR:YSK/IM02 2015/12/07	QUALITY SYMBOLS ▽=0 ◻=0	GENERAL TOLERANCES (UNLESS SPECIFIED)		DIMENSION STYLE MM ONLY		SCALE	DESIGN UNITS	THIRD ANGLE PROJECTION		
			mm	INCH	DRAWN BY	DATE	TITLE	1.25 FPC/FFC B/F HOUSING ASS'Y 20P (BOTTOM CONTACT)		
		4 PLACES	± ---	± ---	JHLEE	2007/03/09		MOLEX INCORPORATED		
		3 PLACES	± ---	± ---	CHECKED BY	DATE		DOCUMENT NO. SD-49597-001 SHEET NO. 2 OF 3		
	2 PLACES	± 0.2	± ---	KSK/IM	2007/03/09	APPROVED BY YS00K/IM 2007/03/09				
	1 PLACE	± 0.25	± ---	ANGULAR ± 1 °		MATERIAL NO. SEE TABLE				
DRAFT WHERE APPLICABLE MUST REMAIN WITHIN DIMENSIONS		THIS DRAWING CONTAINS INFORMATION THAT IS PROPRIETARY TO MOLEX INCORPORATED AND SHOULD NOT BE USED WITHOUT WRITTEN PERMISSION								

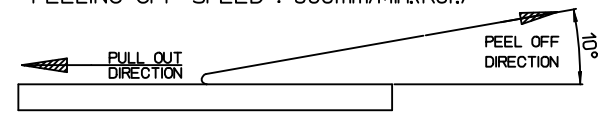


NOTES

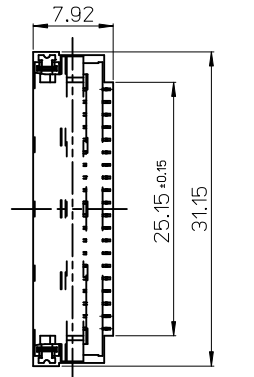
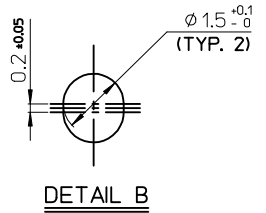
- 1. QUANTITY OF CONNECTORS : 1200PCS/REEL
- 2. LEAD LENGTH



- 3. PEELING OFF FORCE OF COVER TAPE : 0.1N~0.59N(10.2GF~60GF) (PEELING DIRECTION AS SHOW IN FOLLOW FIG.)
- PEELING OFF SPEED : 300mm/Min.(Ref.)



- 4. FLASH IN ANY PORTION SHOULD BE LESS THAN 0.20mm MAX.



HALOGEN FREE	495972047	495972040	49597-9920	44mm	BLACK
	495972037	495972030			NATURAL
	495972017	495972010			BLACK
	495972007	495972000			NATURAL
NON-HF					
TYPE	MATERIAL NO.	CONNECTOR	EMBOSS TAPE	TAPE WIDTH	COLOR
3		PLASTIC BOBBIN	HI P.S		WHITE
2		COVER TAPE	P.E.T		37.5mm
1		CARRIER (EMBOSSD) TAPE	P.E.T		
NO.		DESCRIPTION	MATERIAL		REMARK

REVISED

EC NO: KOR2016-0047

DRWN:KTK/IM01 2015/12/01

CHKD:KSK/IM 2015/12/01

APPR:YSK/IM02 2015/12/07

DESCRIPTION

REV

QUALITY SYMBOLS	GENERAL TOLERANCES (UNLESS SPECIFIED)	mm	INCH
		4 PLACES ± --- ± ---	3 PLACES ± --- ± ---
▽=0	C=0	2 PLACES ± 0.2 ± ---	1 PLACE ± 0.25 ± ---
		ANGULAR ± 1 °	
DRAFT WHERE APPLICABLE MUST REMAIN WITHIN DIMENSIONS			

DIMENSION STYLE		SCALE	DESIGN UNITS
MM ONLY			METRIC
DRAWN BY	DATE	TITLE	
JHLEE	2007/03/09	1.25 FPC/FFC B/F CONN HOUSING ASS'Y 20P (BOTTOM CONTACT)	
CHECKED BY	DATE	MOLEX INCORPORATED	
KSK/IM	2007/03/09	SD-49597-001	
APPROVED BY	DATE	SHEET NO.	
YSOOK/IM	2007/03/09	3 OF 3	
MATERIAL NO.	DOCUMENT NO.		
SEE TABLE			

THIRD ANGLE PROJECTION	
THIS DRAWING CONTAINS INFORMATION THAT IS PROPRIETARY TO MOLEX INCORPORATED AND SHOULD NOT BE USED WITHOUT WRITTEN PERMISSION	