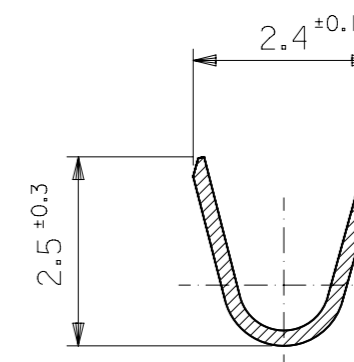
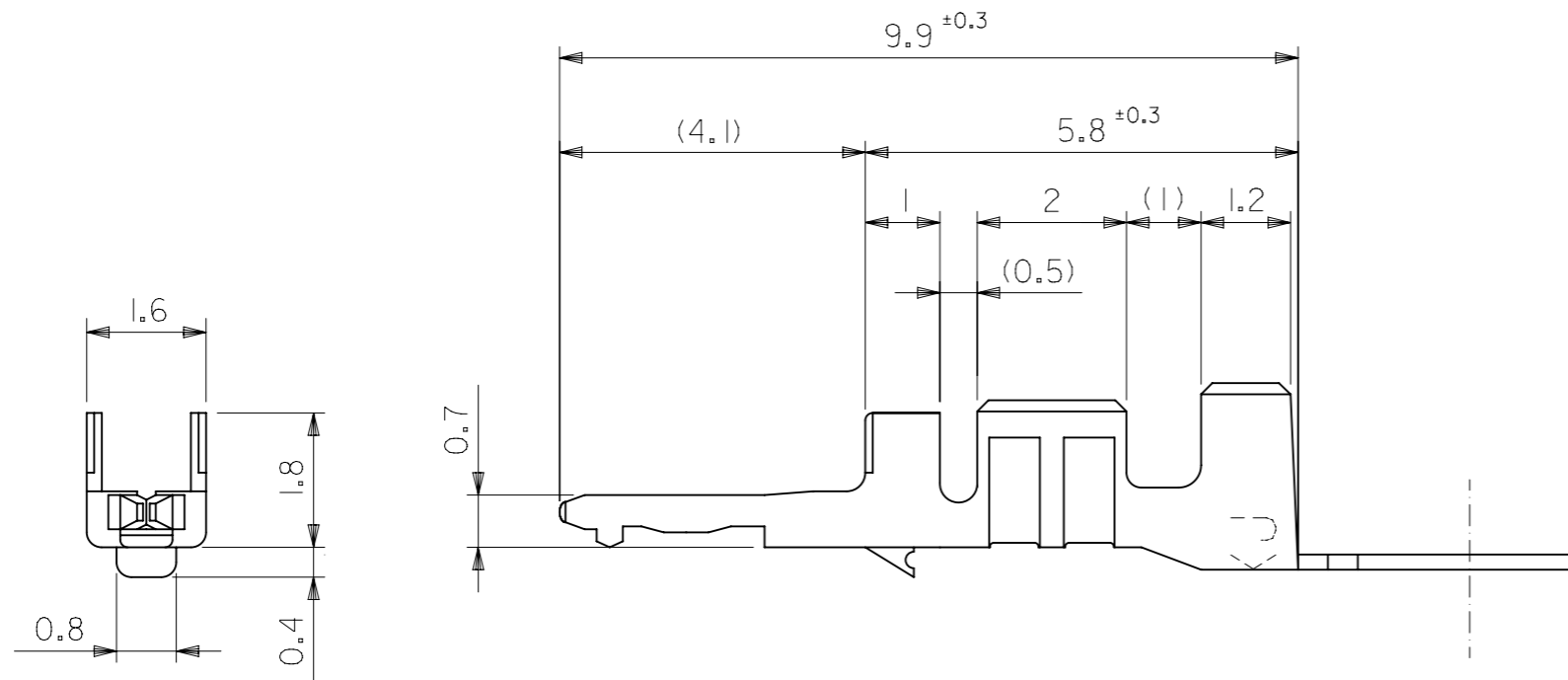


断面 A-A
SECT. A-A



断面 B-B
SECT. B-B



注記
NOTE

1. 適合ハウジング: 51035-**-00
APPLICABLE HOUSING: 51035-**-00

50097-8000	連鎖状
ENG.NO.	形状

THIS DRAWING CONTAINS INFORMATION THAT IS PROPRIETARY TO MOLEX ELECTRONIC TECHNOLOGIES, LLC AND SHOULD NOT BE USED WITHOUT WRITTEN PERMISSION

材料 MATERIAL	リン青銅 (錫メッキ) PHOSPHOR BRONZE t=0.203 PRE-TINNED PLATE
仕上げ FINISH	—//—
適用電線範囲 WIRE RANGE	AWG #24~20 KV 0.2~0.5 AVS 0.3~0.5
被覆外径 INS. RANGE	∅1.3~2.1

角度 ANGLE	±3°
30 以上 OVER	±0.3
10 以上 30 未満 OVER UNDER	±0.25
10 未満 UNDER	±0.2
一般公差 GENERAL TOLERANCES	

DIMENSION UNITS	SCALE	CURRENT REV DESC:
mm	10:1	
GENERAL TOLERANCES (UNLESS SPECIFIED)		
4 PLACES	±	
3 PLACES	±	
2 PLACES	±	
1 PLACE	±	
0 PLACES	±	
ANGULAR TOL	± °	
DRAFT WHERE APPLICABLE MUST REMAIN WITHIN DIMENSIONS		
THIRD ANGLE PROJECTION		
DRAWING	SERIES	MATERIAL NUMBER
A3-SIZE	50097	SEE TABLE

molex			
BOARD IN CONNECTOR CRIMP PIN			
PRODUCT CUSTOMER DRAWING			
DOCUMENT NUMBER	DOC TYPE	DOC PART	REVISION
SD-50097-8X00	PSD	001	D
CUSTOMER	SHEET NUMBER		
SEE TABLE	1 OF 1		