

1. 50212-8000 梱包仕様  
50212-8000 PACKAGING SPECIFICATION

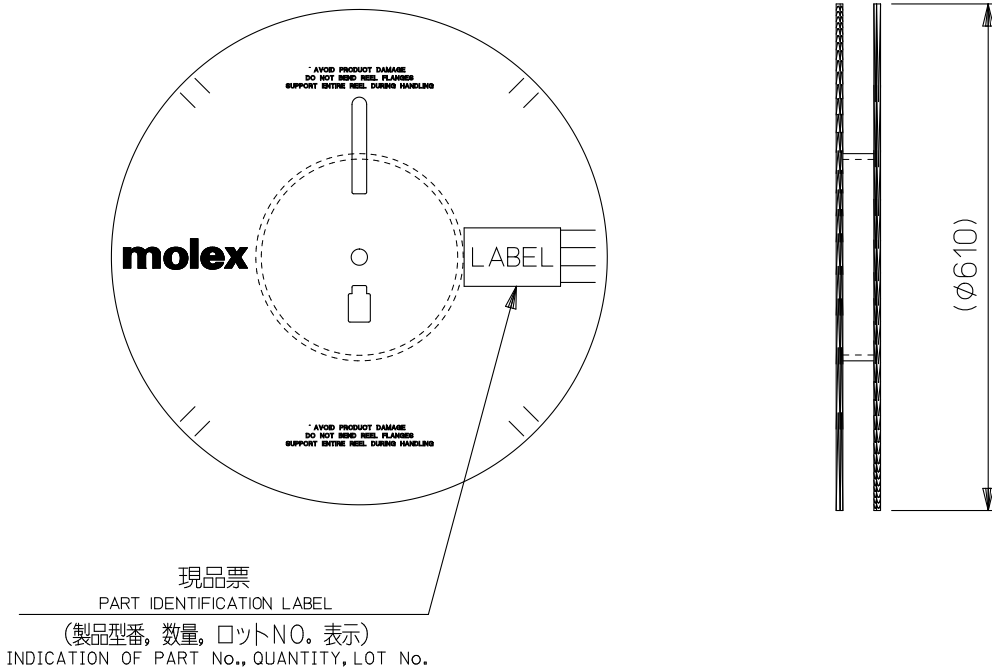
Use for Japan production only.

1-1. 製品名称 / PRODUCT NAME : NEW 2.0 WIRE TO BOARD CONN. CRIMP RECEPTACLE  
製品番号 / PART NUMBER : 50212-8000

1-2. 標準梱包数 / STANDARD PACKAGING QUANTITY.

1 リールの巻き数 QTY. PER REEL	カートン中のリール数 NUMBER OF REELS	1 カートンの製品数 QUANTITY IN ONE CARTON
12,000	4	48,000

1-3. リール外形参考寸法 / REEL OUTER DIMENSIONS (REFERENCE PURPOSE ONLY)

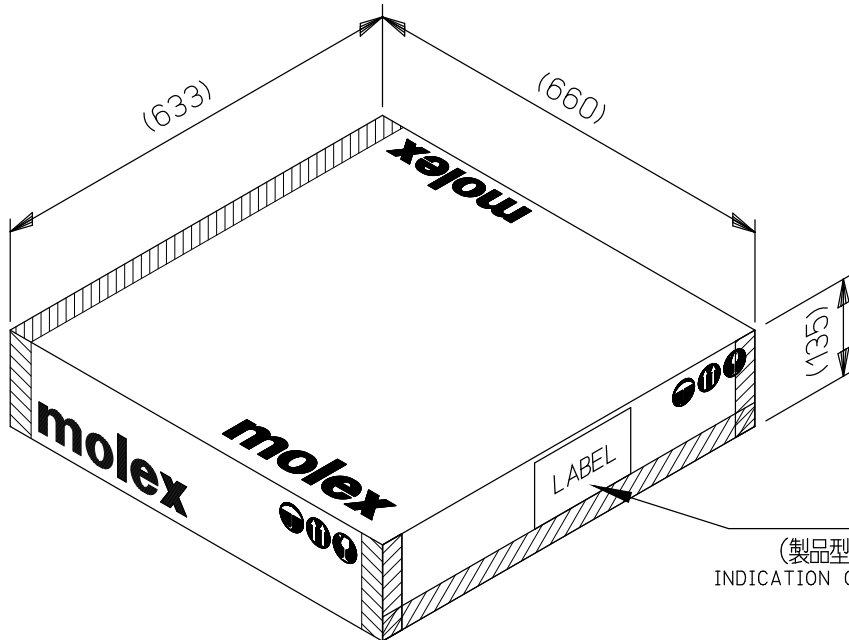


※リールのデザインとカートンのデザインは生産場所により異なります。  
The reel outer design and the carton design are different according to the production places.

REV.	B							
SHEET	1~4							
REVISE ON PC ONLY				TITLE:				
<b>B</b>	REVISED 167152 2017/10/26 Y.TOKUZONO			50212 梱包仕様書 SALES PACKAGING SPEC. FOR 50212				
REV.	DESCRIPTION			THIS DOCUMENT CONTAINS INFORMATION THAT IS PROPRIETARY TO MOLEX INC. AND SHOULD NOT BE USED WITHOUT WRITTEN PERMISSION				
DESIGN CONTROL J		STATUS		WRITTEN BY: Y.TOKUZONO	CHECKED BY: T.HARUYAMA	APPROVED BY: H.HIRATA	DATE: YR/MO/DAY 2009/10/29	
DOCUMENT NUMBER <b>SPK-50212-001</b>							FILE NAME SPK50212001.docx	SHEET 1 OF 4
EN-037(2013-04 rev.1)								

1-4. カートン外形参考寸法 / CARTON OUTER DIMENSIONS (REFERENCE PURPOSE ONLY)

単位 / UNIT: mm



カートンラベル  
CARTON LABEL

(製品型番, 数量, ロットNO. 表示)  
INDICATION OF PART No., QUANTITY, LOT No.

REVISE ON PC ONLY		TITLE:	
<b>B</b>	SEE SHEET 1 OF 4	5 0 2 1 2 梱包仕様書 SALES PACKAGING SPEC. FOR 50212	
REV.	DESCRIPTION	THIS DOCUMENT CONTAINS INFORMATION THAT IS PROPRIETARY TO MOLEX INC. AND SHOULD NOT BE USED WITHOUT WRITTEN PERMISSION	
DOCUMENT NUMBER <b>SPK-50212-001</b>		FILE NAME SPK50212001.docx	SHEET 2 OF 4
EN-037(2013-04 rev.1)			

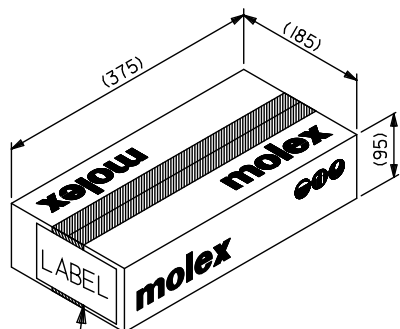
2. 50212-8100 梱包仕様  
50212-8100 PACKAGING SPECIFICATION

2-1. 製品名称 / PRODUCT NAME : NEW 2.0 WIRE TO BOARD CONN. CRIMP RECEPTACLE  
製品番号 / PART NUMBER : 50212-8100

2-2. 標準梱包数 / STANDARD PACKAGING QUANTITY

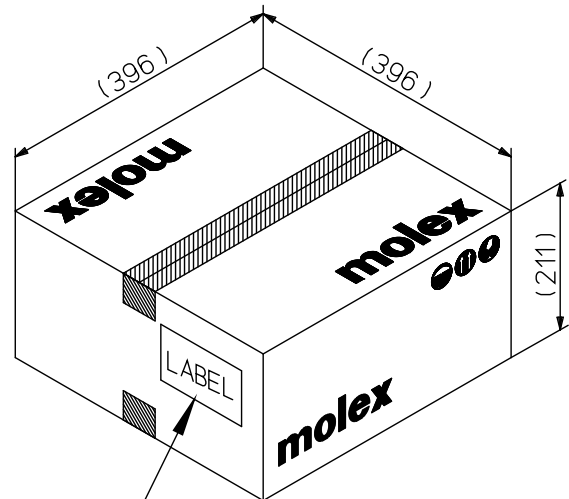
ポリ袋 POLY BAG	内装カートン PRIMARY CARTON		外装カートン SHIPPING CARTON
1袋中の製品数 QUANTITY IN ONE BAG	ポリ袋の数 NUMBER OF POLY BAG	製品数 QUANTITY	製品数(内装カートン×4) QUANTITY (PRIMARY CARTON X 4)
1,000	12	12,000	48,000

2-3. カートン外形参考寸法 / CARTON OUTER DIMENSIONS (REFERENCE PURPOSE ONLY) 単位 / UNIT: mm



カートンラベル  
CARTON LABEL  
(製品型番, 数量, ロットNO. 表示)  
INDICATION OF PART No., QUANTITY, LOT No.

内装カートン  
PRIMARY CARTON



カートンラベル  
CARTON LABEL  
(製品型番, 数量, ロットNO. 表示)  
INDICATION OF PART No., QUANTITY, LOT No.

外装カートン  
SHIPPING CARTON

※カートンのデザインは生産場所により異なります。  
The carton design is different according to the production places.

REVISE ON PC ONLY		TITLE:	
<b>B</b>	SEE SHEET 1 OF 4	50212 梱包仕様書 SALES PACKAGING SPEC. FOR 50212	
	REV. DESCRIPTION	THIS DOCUMENT CONTAINS INFORMATION THAT IS PROPRIETARY TO MOLEX INC. AND SHOULD NOT BE USED WITHOUT WRITTEN PERMISSION	
DOCUMENT NUMBER <b>SPK-50212-001</b>		FILE NAME SPK50212001.docx	SHEET 3 OF 4

Use for Korean production only.

1. 제품 명칭(PRODUCT NAME): **NEW 2.0 WIRE TO BOARD CONN. CRIMP RECEPTACLE**  
 제품 번호(PART NUMBER): **50212-8000**

2. 표준 포장 수량(PACKING QUANTITY):

QTY. PER REEL	NUMBER OF REELS	QUANTITY IN ONE CARTON
12,000	6	72,000

### 3. NOTE

- 포장 평가는 ES40000-7001에 따르고, LEVEL 2 기준 1을 적용 한다.  
 (ESTIMATE: APPLIED TO ES-40000-7001 AND LEVEL 2, CRITERION 1)

<b>B</b>	REVISE ON PC ONLY	TITLE: <b>5 0 2 1 2 梱包仕様書</b> SALES PACKAGING SPEC. FOR 50212
	SEE SHEET 1 OF 4	
REV.	DESCRIPTION	THIS DOCUMENT CONTAINS INFORMATION THAT IS PROPRIETARY TO MOLEX INC. AND SHOULD NOT BE USED WITHOUT WRITTEN PERMISSION
DOCUMENT NUMBER <b>SPK-50212-001</b>		FILE NAME SPK50212001.docx
		SHEET 4 OF 4
EN-037(2013-04 rev.1)		