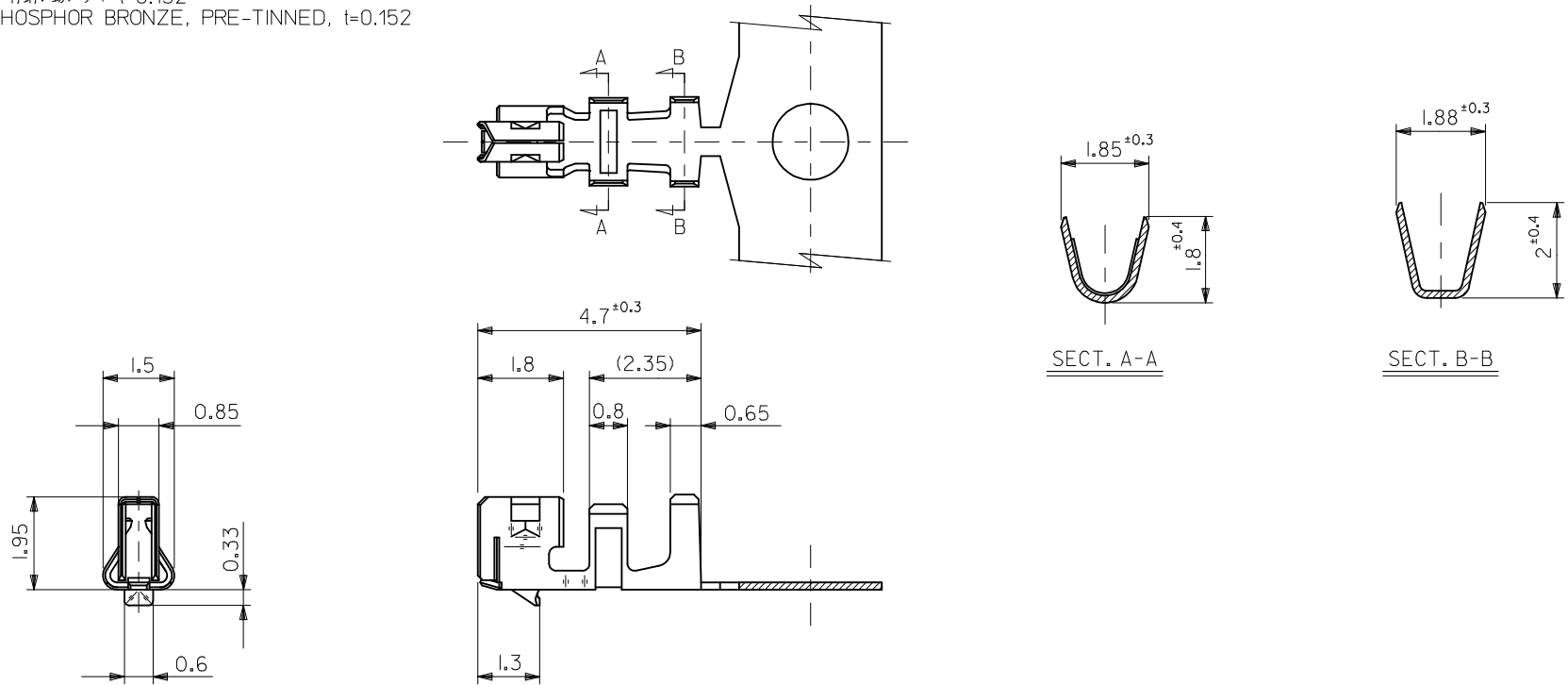


注記
NOTES

適用ハウジング: 51089, 51090, 51065 シリーズ
 APPLICABLE HOUSING: 51089, 51090, 51065 SERIES

材質 MATERIAL
 リン青銅、錫メッキ t=0.152
 PHOSPHOR BRONZE, PRE-TINNED, t=0.152



50372-8100	バラ状 LOOSE
50372-8000	連鎖状 CHAIN
ENG.NO.	端子形状 FORM

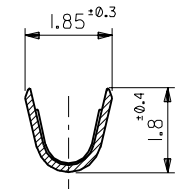
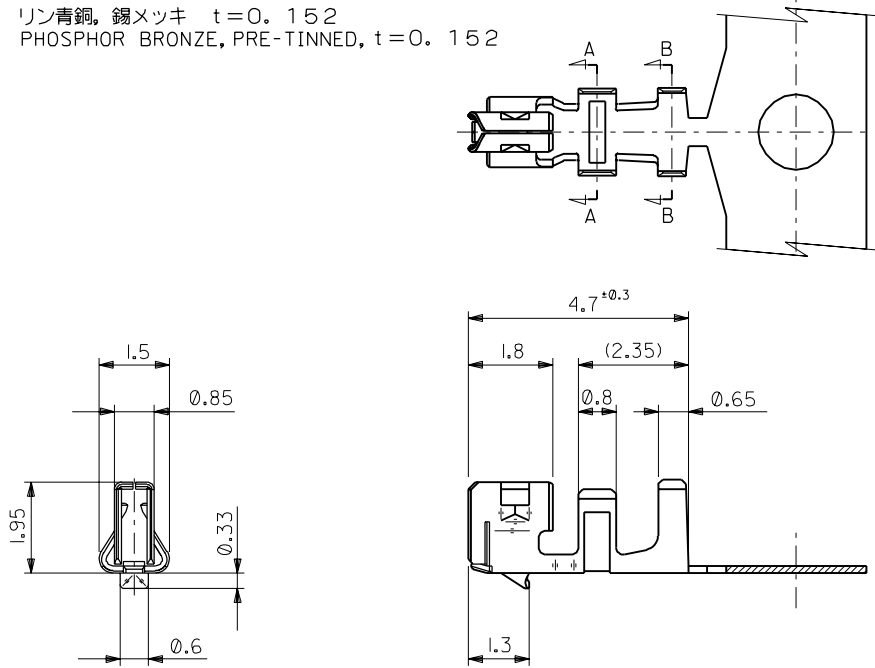
RELEASED EC NO: J2014-0578 DRWN: YWAKE 2013/09/27 CHKD: KASAKAWA 2013/09/27 APPR: NUKITA 2013/10/02	GENERAL TOLERANCES (UNLESS SPECIFIED)		DIMENSION STYLE MM ONLY	SCALE 10:1	DESIGN UNITS METRIC	THIRD ANGLE PROJECTION
	10 UNDER	± 0.2	DRAWN BY YWAKE	DATE 2013/09/27	TITLE NEW 2.0 W/B CONN. CRIMP RECEPTACLE molex DOCUMENT NO. SD-50372-001 SHEET NO. 1 OF 1	
	10 OVER 30 UNDER	± 0.25	CHECKED BY KASAKAWA	DATE 2013/09/27		
	30 OVER	± 3	APPROVED BY NUKITA	DATE 2013/10/02		
ANGULAR ± 3 °		MATERIAL NO.	SEE CHART			
DRAFT WHERE APPLICABLE MUST REMAIN WITHIN DIMENSIONS		SIZE A3	THIS DRAWING CONTAINS INFORMATION THAT IS PROPRIETARY TO MOLEX INCORPORATED AND SHOULD NOT BE USED WITHOUT WRITTEN PERMISSION			

注記 NOTES

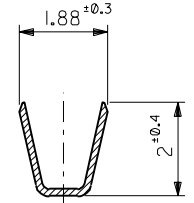
★ 1. 適用ハウジング : 51089-***05, 51090-***00
APPLICABLE HOUSING : 51089-***05, 51090-***00

2. 材質 MATERIAL

リン青銅, 錫メッキ t=0.152
PHOSPHOR BRONZE, PRE-TINNED, t=0.152



SECT. A-A



SECT. B-B

50372-8100	バラ状 LOOSE
50372-8000	連鎖状 CHAIN
ENG.NO.	端子形状 FORM

角度 ANGLE	±3°				
30以上 OVER	±0.3				
10以上 30未満 UNDER	±0.25				
10未満 UNDER	±0.2	0	新規作成 (J20801) RELEASED	M.F.	92/9/4
一般公差 GENERAL TOLERANCES	記号 LTR	変更内容 REVISION RECORD	DR. CHK.	日付 DATE	

材料 MATERIAL	注記参照 SEE NOTES
仕上げ FINISH	注記参照 SEE NOTES
適用電線範囲 WIRE RANGE	AWG #22~#26
被覆外径 INS. RANGE	φ 1.4MAX.
DRAWN BY	'92/9/3 M.FUJIKURA
CHK'D BY	'92/9/4 M.FUJIKURA
APP'D BY	'92/9/4 M.FUJIKURA
尺度 SCALE	10:1

molex MOLEX-JAPAN CO.,LTD. 日本モレックス株式会社	
REVISE ONLY ON CAD SYSTEM	
TITLE 名称	
NEW 2.0 WIRE TO BOARD CONN. CRIMP RECEPTACLE	
DWG. NO.	REV
SD-50372-8*00	0