

FEATURES AND SPECIFICATIONS

Features and Benefits

- Designed for mass connection
- Mates with standard NEMA male tabs
- Utilizes 4 points of contact
- Accommodates a wide range of wire sizes (10 to 24 AWG)
- Rugged terminal design

Electrical

Current: 15.0 to 25.0A
Contact Resistance: 10mΩ max.

Physical

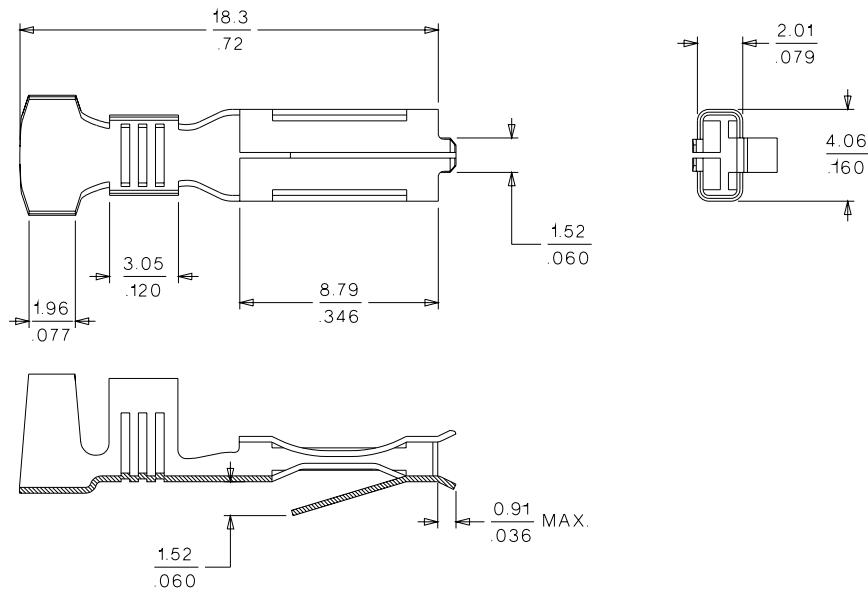
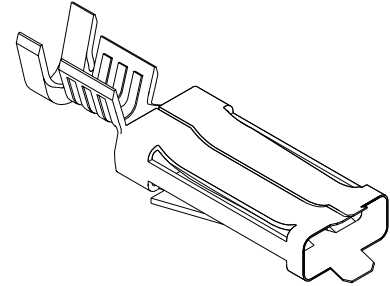
Contact: Brass
Plating: Tin

**1943/2176/2328/2576/
2698/2799/41422/1508**

Reference Information

Uses: Relay and switch connectors

Designed In: Inches



ORDERING INFORMATION AND DIMENSIONS

Engineering No.	Wire Size AWG	Order No.				Application Tooling		
		With Detent		Without Detent		Hand Tool	TM-40/42 Die	Mini-Mac
		Chain Form	Loose Form	Chain Form	Loose Form			
1943	18-24			05-06-0200	05-05-0201	11-01-0008	11-40-2035	
2176	14-22	05-06-0301	05-06-0302	05-06-0303	05-06-0304	11-01-0101	11-40-2015	11-18-2040
2328	14-22	05-06-0401	05-06-0403	05-06-0402	05-06-0404	11-01-0101	11-40-2015	11-18-2040
2576	14-22			05-06-0305	05-06-0306	11-01-0101	11-40-2015	11-18-2040
2698	14-22			05-06-0405	05-06-0406	11-01-0101	11-40-2006	
2799	14-22			05-06-0307	05-06-0308	11-01-0006	11-40-2154	11-18-2041
41422-3XXX	10-12			40-02-1601			11-40-2192	11-18-2080
	14-18			40-02-1602			11-40-2193	11-18-2081
41422-5001	14-18			41422-5001			11-40-2193	11-18-2081
1508	14-18			05-06-0117		11-01-0101	11-40-2117	11-18-2200

Engineering No.	Engagement/Disengagement Forces (lb)	Wire Size AWG	Maximum Insulation Diameter	Material Thickness	Mating Tab Size (in.)	Dimension			
						A	B	C	H
1943		18-24	2.67 (.110)	0.28 (.011)	.100 by .020	15.20 (.600)	7.50 (.300)	3.30 (.130)	0.90 (.030)
2176		14-22	3.43 (.135)	0.25 (.010)	.187 by .020	15.50 (.610)	7.10 (.280)	6.10 (.240)	1.80 (.070)
2328		14-22	3.18 (.125)	0.25 (.010)	.187 by .020	15.70 (.620)	7.10 (.280)	6.10 (.240)	1.80 (.070)
2576		14-22	3.43 (.135)	0.30 (.012)	.187 by .020	15.50 (.610)	7.10 (.280)	6.10 (.240)	0.90 (.080)
2698		14-22	3.18 (.125)	0.30 (.012)	.187 by .020	15.50 (.610)	7.10 (.280)	6.10 (.240)	0.90 (.080)
2799		14-22	1.52 (.060)	0.30 (.012)	.187 by .020	15.50 (.610)	7.10 (.280)	6.10 (.240)	0.90 (.080)
High Current 41422-3XXX	4	10-12	4.83 (.190)	0.41 (.016)	.250 by .032	23.10 (.910)	11.70 (.460)	7.50 (.300)	0.90 (.080)
		14-18	3.53 (.139)	0.41 (.016)	.250 by .032	23.10 (.910)	11.70 (.460)	7.50 (.300)	0.90 (.080)
Low Force 41422-5001	2	14-18	3.53 (.139)	0.41 (.016)	.250 by .032	23.10 (.910)	11.70 (.460)	7.50 (.300)	0.90 (.080)
1508		14-18	3.53 (.139)	0.30 (.012)	.125 by .020	18.30 (.720)	8.79 (.346)	4.06 (.160)	2.01 (.079)