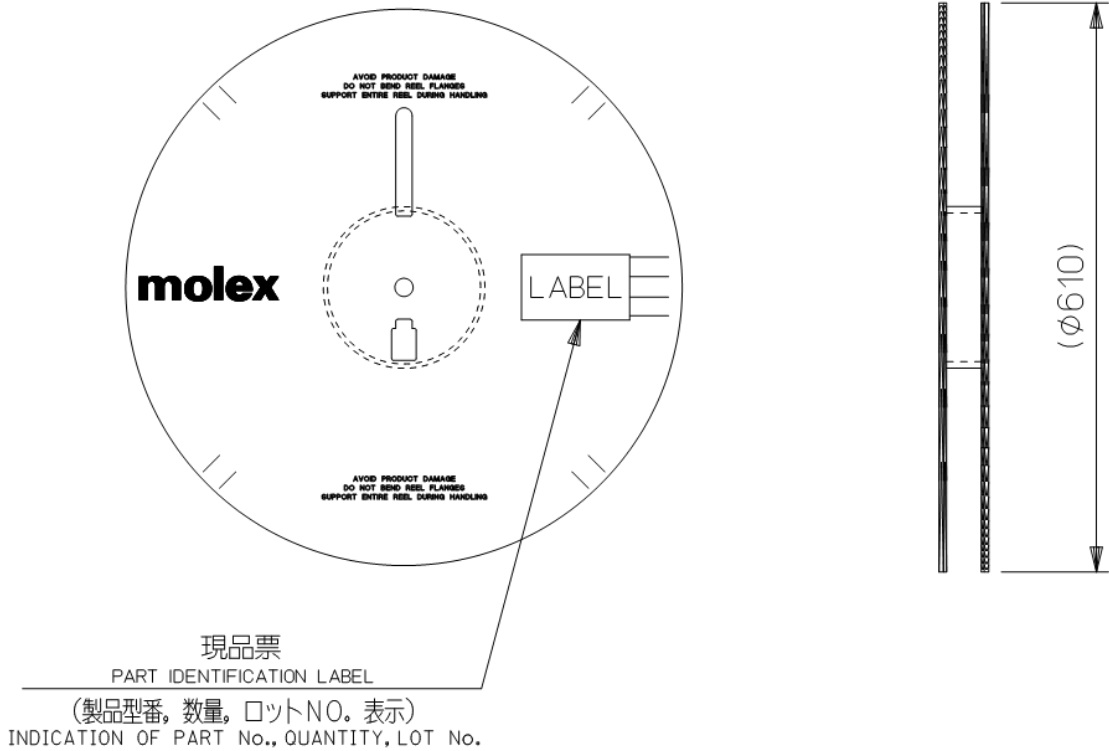


1. 製品名称／PRODUCT NAME : MINI-LOCK 2.5 W/B CONN CRIMP REC  
 製品番号／PART NUMBER : 5 0 7 5 2 8 2 0 0  
 5 0 7 5 2 8 4 0 0

2. 標準梱包数／STANDARD PACKAGING QUANTITY.

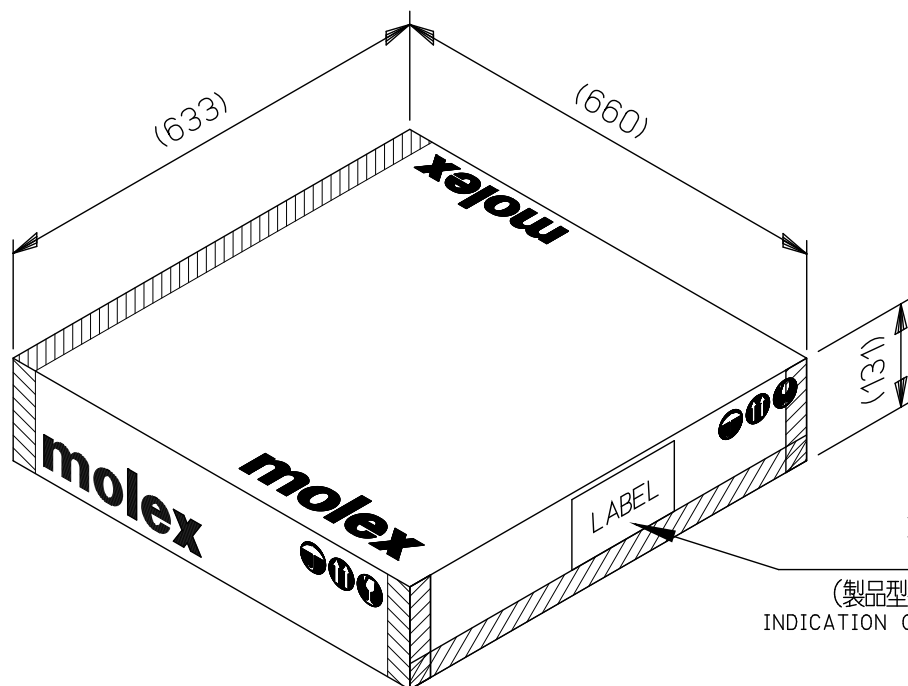
1 リールの巻き数 QTY. PER REEL	カートン中のリール数 NUMBER OF REELS	1 カートンの製品数 QUANTITY IN ONE CARTON
10,000	4	40,000

3. リール外形参考寸法／REEL OUTER DIMENSIONS (REFERENCE PURPOSE ONLY)



REV.	A		
SHEET	1~2		
REVISE ON PC ONLY		TITLE:	
<b>A</b>	RELEASED 600170 2018/05/10 Y.TOKUZONO	5 0 7 5 2 梱包仕様書 SALES PACKAGING SPEC. FOR 50752	
	THIS DOCUMENT CONTAINS INFORMATION THAT IS PROPRIETARY TO MOLEX ELECTRONIC TECHNOLOGIES, LLC AND SHOULD NOT BE USED WITHOUT WRITTEN PERMISSION		
REV.	DESCRIPTION		
DESIGN CONTROL J	STATUS	WRITTEN BY: YTOKUZONO	CHECKED BY: M.SASAO
		APPROVED BY: M.SASAO	DATE: 2018/05/09
DOCUMENT NUMBER 507529200-SPK		DOC. TYPE PS	DOC. PART 200
		CUSTOMER GENERAL	SHEET 1 OF 2

4. カートン外形参考寸法 / CARTON OUTER DIMENSIONS (REFERENCE PURPOSE ONLY)      単位 / UNIT: mm



カートンラベル  
CARTON LABEL  
(製品型番, 数量, ロットNO. 表示)  
INDICATION OF PART No., QUANTITY, LOT No.

REVISE ON PC ONLY		TITLE:			
<b>A</b>	SEE SHEET 1 OF 2	50752 梱包仕様書 SALES PACKAGING SPEC. FOR 50752			
	REV.	DESCRIPTION	THIS DOCUMENT CONTAINS INFORMATION THAT IS PROPRIETARY TO MOLEX ELECTRONIC TECHNOLOGIES, LLC AND SHOULD NOT BE USED WITHOUT WRITTEN PERMISSION		
DOCUMENT NUMBER 507529200-SPK		DOC. TYPE PS	DOC. PART 200	CUSTOMER GENERAL	SHEET 2 OF 2
EN-127(2015-12)					