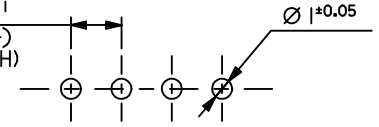


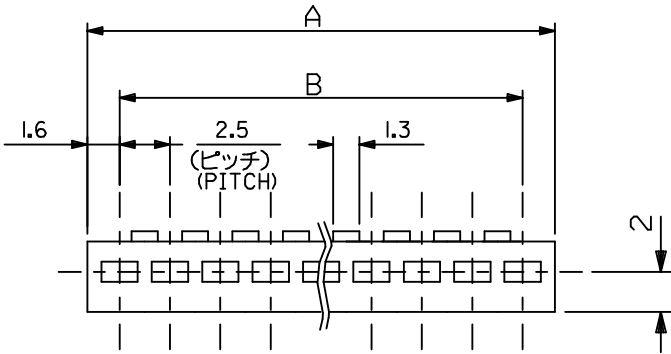
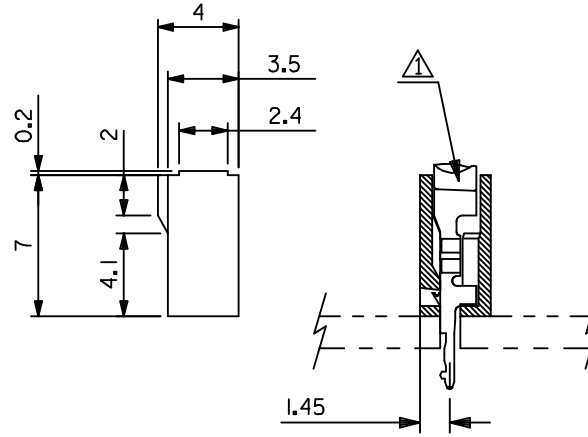
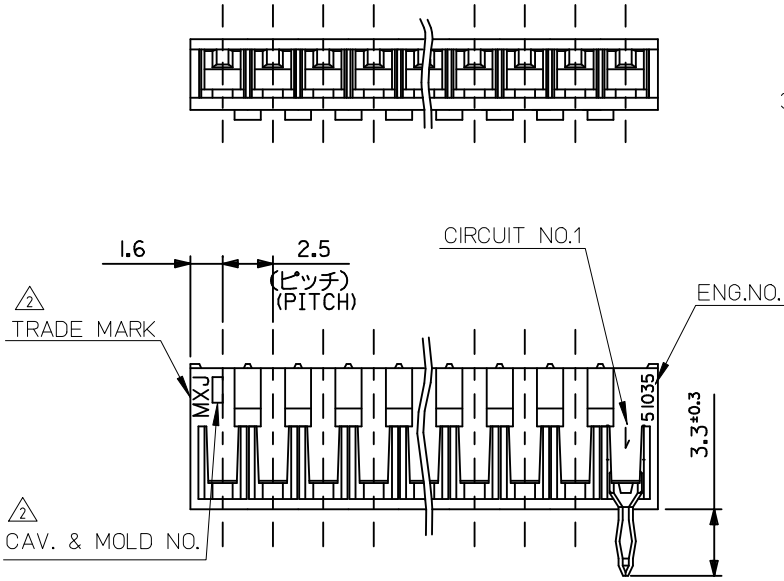
**注記  
NOTE**

- △ 適合ターミナル: 500978\*00  
APPLICABLE: 500978\*00
- △ トレードマーク: MXJにて表示。  
キャビティー番号: 1桁から2桁の数字にて表示。 金型番号: アルファベット1文字にて表示。  
TRADE MARK IS FORMED BY MXJ.  
AND BY 1-2 DIGIT NUMBER (TO CAVITY NO.)  
AND BY 1 LETTER OD ALPHABET (TO MOLD NO.)
- 3. ELV及びRoHS適合品  
ELV AND RoHS COMPLIANT.

(公差非累積)  
(NON-ACCUMULATIVE)  
2.5<sup>+0.1</sup>  
(ピッチ)  
(PITCH)



**基板取付穴推奨寸法 (基板厚: 1.6mm)**  
RECOMMENDED PC BOARD HOLE DIMENSION  
(THICKNESS: 1.6mm)



42.5	45.7	51035	1800	18
37.5	40.7	↑	1600	16
35.0	38.2		1500	15
32.5	35.7		1400	14
30.0	33.2		1300	13
27.5	30.7		1200	12
25.0	28.2		1100	11
22.5	25.7		1000	10
20.0	23.2		0900	9
17.5	20.7		0800	8
15.0	18.2		0700	7
12.5	15.7		0600	6
10.0	13.2		0500	5
7.5	10.7		0400	4
5.0	8.2		0300	3
2.5	5.7	51035	0200	2
B	A	ORDER NO.		機 電 C K T.

材料 MATERIAL	POLYAMIDE, UL94V-0
適用電線範囲 WIRE RANGE	AWGH24~20,KV0.2~0.5 AVS0.3~0.5
被覆外径 INS. RANGE	φ1.3~2.1

REVISIONS EC NO.: J2016-0744 2016/01/18 DRWN: CHEJ1 2016/01/18 CHKD: SAKIYAMA 2016/01/27 APPR: KANEKO	GENERAL TOLERANCES (UNLESS SPECIFIED)		DIMENSION STYLE MM ONLY		SCALE 4:1	DESIGN UNITS METRIC	THIRD ANGLE PROJECTION
	10 UNDER	± 0.2	DRAWN BY KSANO	DATE 1996/06/30	TITLE 2.5 BOARD IN CONN. HOUSING		
	10 OVER 30 UNDER	± 0.25	CHECKED BY MSAKANO	DATE 1996/06/30			
	30 OVER	± 0.3	APPROVED BY MENOMOTO	DATE 1996/06/30			
ANGULAR	± 3 °	MATERIAL NO.		DOCUMENT NO.		SHEET NO.	
DRAFT WHERE APPLICABLE MUST REMAIN WITHIN DIMENSIONS		SEE CHART		SD-51035-001		1 OF 1	
THIS DRAWING CONTAINS INFORMATION THAT IS PROPRIETARY TO MOLEX INCORPORATED AND SHOULD NOT BE USED WITHOUT WRITTEN PERMISSION							