

PLEASE CHECK WWW.MOLEX.COM FOR LATEST PART INFORMATION

Part Number: **51048-0700**
Status: **Active**
Description: 2.00mm Pitch Cable Holder, Vertical, Low Profile, for Ribbon Cable, 7 Circuits

Documents:

[3D Model](#) [RoHS Certificate of Compliance \(PDF\)](#)
[Drawing \(PDF\)](#)

General

| | |
|---------------------|-------------------------------------|
| Product Family | Ribbon Cable / Wire Trap Connectors |
| Series | 51048 |
| Component Type | One Piece |
| Glow-Wire Compliant | No |
| Product Name | Board-In, Cable Holder |
| UPC | 800753574755 |

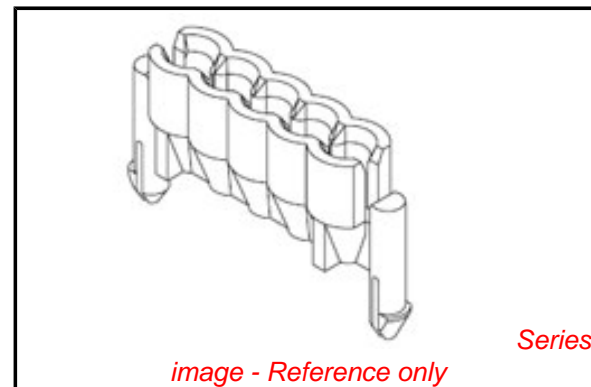
Physical

| | |
|--------------------------------|-----------------|
| Circuits (Loaded) | 7 |
| Color - Resin | Natural |
| Entry Angle | Vertical |
| Lock to Mating Part | None |
| Material - Plating Mating | N/A |
| Material - Resin | Nylon |
| Net Weight | 158.600/mg |
| Number of Rows | 1 |
| PCB Retention | Yes |
| PCB Thickness - Recommended | 1.60mm |
| Packaging Type | Bag |
| Pitch - Mating Interface | 2.00mm |
| Pitch - Termination Interface | 2.00mm |
| Polarized to Mating Part | N/A |
| Polarized to PCB | No |
| Stackable | No |
| Surface Mount Compatible (SMC) | No |
| Temperature Range - Operating | -40°C to +105°C |
| Wire Insulation Diameter | 1.60mm max. |
| Wire Size AWG | 26 |
| Wire/Cable Type | Ribbon Cable |

Electrical

| | |
|-------------------------------|-----|
| Current - Maximum per Contact | N/A |
| Voltage - Maximum | N/A |

Material Info



EU RoHS

ELV and RoHS Compliant
REACH SVHC Contains SVHC: No
Low-Halogen Status Low-Halogen

China RoHS



Need more information on product environmental compliance?

Email productcompliance@molex.com
 For a multiple part number RoHS Certificate of Compliance, [click here](#)

Please visit the [Contact Us](#) section for any non-product compliance questions.

Search Parts in this Series

51048Series

Mates With

N/A

Use With

Topcoated Ribbon Cable