

**PLEASE CHECK WWW.MOLEX.COM FOR LATEST PART INFORMATION**

**Part Number:** **51052-1200**  
**Status:** **Active**  
**Description:** 2.50mm Pitch Cable Holder, Vertical, for Ribbon Cable, 12 Circuits

**Documents:**

[3D Model](#) [Product Specification PS-51052-002 \(PDF\)](#)  
[Drawing \(PDF\)](#) [RoHS Certificate of Compliance \(PDF\)](#)  
[Product Specification PS-51052-001 \(PDF\)](#)

**General**

Product Family Ribbon Cable / Wire Trap Connectors  
 Series [51052](#)  
 Component Type One Piece  
 Glow-Wire Compliant No  
 Product Name Board-In, Cable Holder  
 UPC 800753574557

**Physical**

Circuits (Loaded) 12  
 Color - Resin Natural  
 Entry Angle Vertical  
 Lock to Mating Part None  
 Material - Plating Mating N/A  
 Material - Resin Nylon  
 Net Weight 396.000/mg  
 Number of Rows 1  
 PCB Retention Yes  
 PCB Thickness - Recommended 1.60mm  
 Packaging Type Bag  
 Pitch - Mating Interface 2.50mm  
 Pitch - Termination Interface 2.50mm  
 Polarized to Mating Part N/A  
 Polarized to PCB No  
 Stackable No  
 Surface Mount Compatible (SMC) No  
 Temperature Range - Operating -40°C to +105°C  
 Wire Insulation Diameter 1.70mm max.  
 Wire Size AWG 24, 26  
 Wire/Cable Type Ribbon Cable

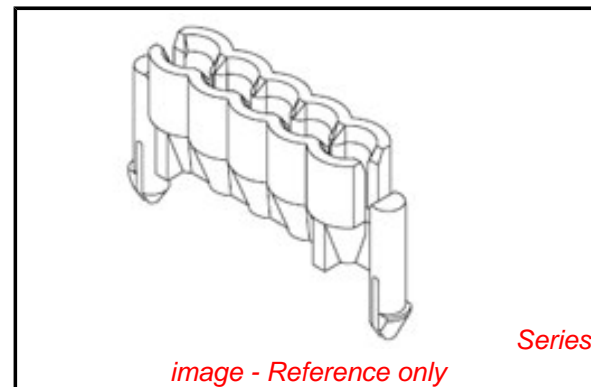
**Electrical**

Current - Maximum per Contact N/A  
 Voltage - Maximum N/A

**Material Info**

**Reference - Drawing Numbers**

Product Specification PS-51052-001, PS-51052-002, RPS-51052-003  
 Sales Drawing SD-51052-001



**EU RoHS**

**ELV and RoHS  
 Compliant**  
**REACH SVHC  
 Contains SVHC: No**  
**Low-Halogen Status  
 Low-Halogen**

**China RoHS**



**Need more information on product  
 environmental compliance?**

Email [productcompliance@molex.com](mailto:productcompliance@molex.com)  
 For a multiple part number RoHS Certificate of  
 Compliance, [click here](#)

Please visit the [Contact Us](#) section for any  
 non-product compliance questions.

**Search Parts in this Series**

[51052Series](#)

**Mates With**

N/A

**Use With**

Topcoated Ribbon Cable