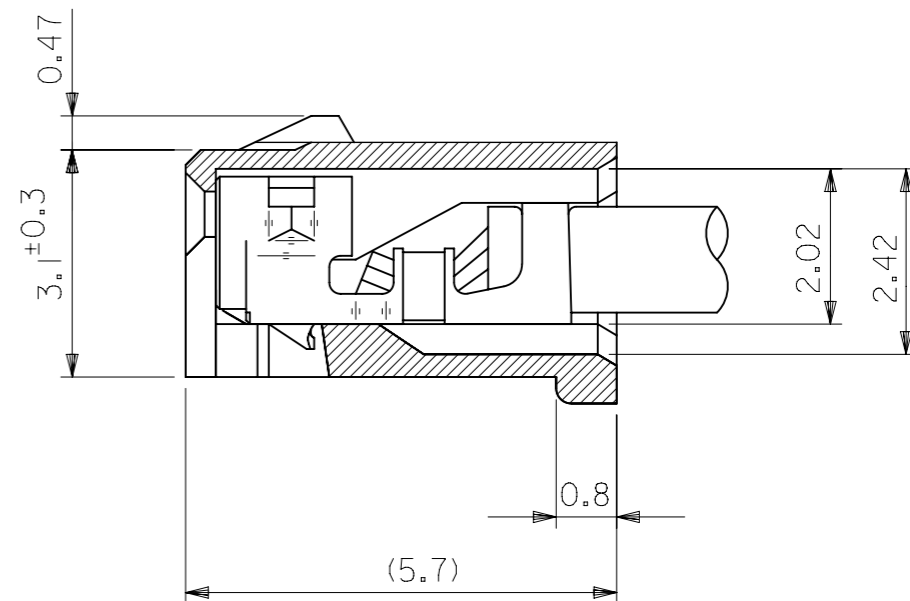
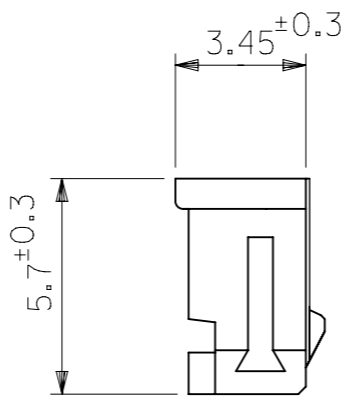
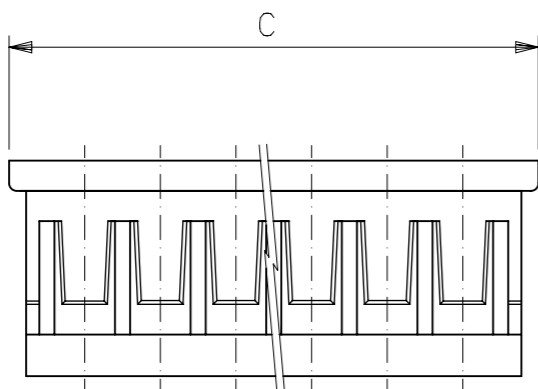
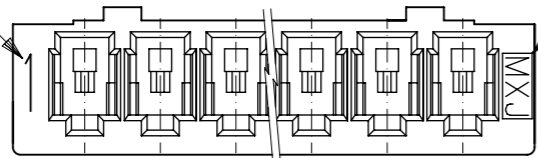
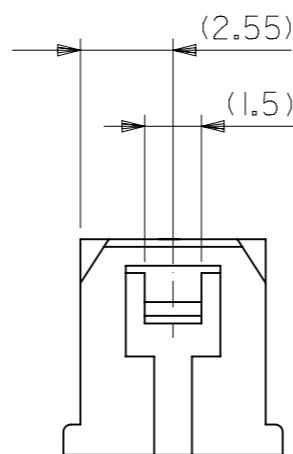
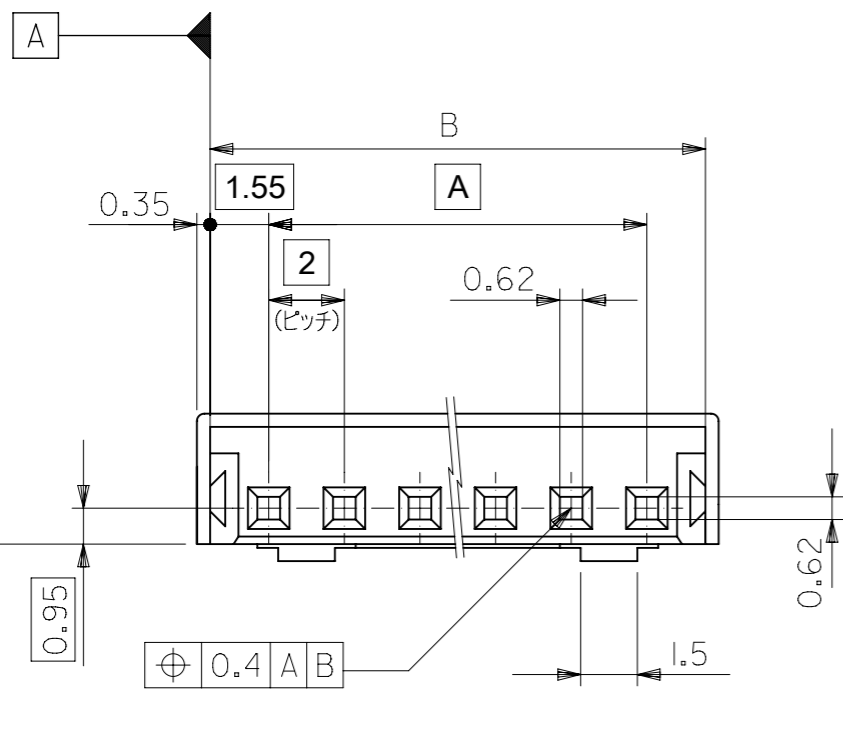


回路番号
CIRCUIT NO.

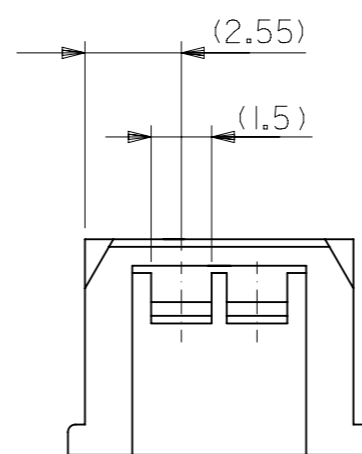
5 トレードマーク
TRADE MARK



ターミナル装着状態図
TERMINAL ASSEMBLY DRAWING
(10:1)



2極の場合
IN CASE OF
2 CIRCUIT HSG.



3極の場合
IN CASE OF
3 CIRCUIT HSG.

31.8	31.1	28	51065-150*	15
29.8	29.1	26	-140*	14
27.8	27.1	24	-130*	13
25.8	25.1	22	-120*	12
23.8	23.1	20	-110*	11
21.8	21.1	18	-100*	10
19.8	19.1	16	-090*	9
17.8	17.1	14	-080*	8
15.8	15.1	12	-070*	7
13.8	13.1	10	-060*	6
11.8	11.1	8	-050*	5
9.8	9.1	6	-040*	4
7.8	7.1	4	-030*	3
5.8	5.1	2	51065-020*	2
C	B	A	PLASTIC BAG	極数
			オーダー番号 ORDER NO.	CIRCUITS

CONNECTOR SERIES NO. 51065-**0*

THIS DRAWING CONTAINS INFORMATION THAT IS PROPRIETARY TO MOLEX ELECTRONIC TECHNOLOGIES, LLC AND SHOULD NOT BE USED WITHOUT WRITTEN PERMISSION

DIMENSION UNITS	SCALE	CURRENT REV DESC: OBSOLETE PART NUMBER	molex		
mm	5:1	EC NO: 618242	NEW 2.0 WIRE TO BOARD CONN RECEPTACLE HOUSING		
GENERAL TOLERANCES (UNLESS SPECIFIED)		DRWN: AKUMAR19 2019/03/11	PRODUCT CUSTOMER DRAWING		
4 PLACES ±		CHK'D: GGA 2020/02/28	DOCUMENT NUMBER		
3 PLACES ±		APPR: GGA 2020/02/28	SD-51065-004		
2 PLACES ±		INITIAL REVISION:	DOC TYPE DOC PART REVISION		
1 PLACE ±		DRWN: S.AIHARA 1989/09/21	PSD 001 F		
0 PLACES ±		APPR: M.ENOMOTO 1990/01/18	MATERIAL NUMBER		
ANGULAR TOL ± 3.0°		THIRD ANGLE PROJECTION		CUSTOMER	
DRAFT WHERE APPLICABLE MUST REMAIN WITHIN DIMENSIONS		DRAWING		SHEET NUMBER	
		A3-SIZE		1 OF 2	

GENERAL TOLERANCES (UNLESS SPECIFIED)	
10 ^{UNDER}	±0.2
10 ^{OVER} 30 ^{UNDER}	±0.25
30 ^{OVER}	±0.3

注記 NOTES

- 適合ターミナル : 50212 , 50372 シリーズ
APPLICABLE TERMINAL : 50212 , 50372 SERIES
- 適合相手 : 53253 , 53254 シリーズ
MATE WITH : 53253 , 53254 SERIES
- 材質 : PBT , UL94V-0
MATERIAL : PBT , UL94V-0

△4 オーダー番号 ORDER NO.

51065-***0*

極数
CIRCUIT SIZE

色番号
COLOR CODE

0	自然色 (白) NATURAL (WHITE)
1	黒 BLACK
2	赤 RED
3	黄 YELLOW
4	青 BLUE
6	緑 GREEN

△5 トレードマーク : M プラス1~2文字の製造工場を示すアルファベットにて構成。但し、"J"は JAPAN を示す。(例 MXJ)

FORMED BY M AND FROM 1 TO 2 MORE LETTER OF ALPHABET WHICH MEAN THE MANUFACTORY. BUT "J" MEANS JAPAN. (TO TRADE MARK) (e.g. MXJ).

31.8	31.1	28					51065-1501	51065-1500	15
29.8	29.1	26					51065-1401	51065-1400	14
27.8	27.1	24					51065-1301	51065-1300	13
25.8	25.1	22						51065-1200	12
23.8	23.1	20						51065-1100	11
21.8	21.1	18						51065-1000	10
19.8	19.1	16						51065-0900	9
17.8	17.1	14						51065-0800	8
15.8	15.1	12						51065-0700	7
13.8	13.1	10				51065-0602		51065-0600	6
11.8	11.1	8						51065-0500	5
9.8	9.1	6						51065-0400	4
7.8	7.1	4						51065-0300	3
5.8	5.1	2			51065-0203		51065-0201	51065-0200	2
C	B	A	GREEN	BLUE	YELLOW	RED	BLACK	NATURAL	極数

△4 オーダー番号 ORDER NO.

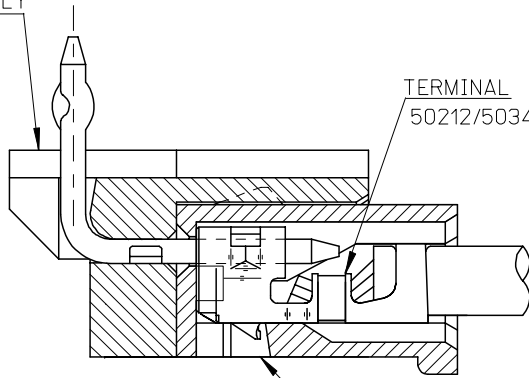
CONNECTOR SERIES NO. 51065-***0*

THIS DRAWING CONTAINS INFORMATION THAT IS PROPRIETARY TO MOLEX ELECTRONIC TECHNOLOGIES, LLC AND SHOULD NOT BE USED WITHOUT WRITTEN PERMISSION																									
DIMENSION UNITS mm		SCALE 1:1		CURRENT REV DESC: OBSOLETE PART NUMBER				molex																	
GENERAL TOLERANCES (UNLESS SPECIFIED)		<table border="1"> <tr> <th></th> <th>MM</th> <th>INCH</th> </tr> <tr> <td>4 PLACES</td> <td>±</td> <td>±</td> </tr> <tr> <td>3 PLACES</td> <td>±</td> <td>±</td> </tr> <tr> <td>2 PLACES</td> <td>±</td> <td>±</td> </tr> <tr> <td>1 PLACE</td> <td>±</td> <td>±</td> </tr> <tr> <td>0 PLACES</td> <td>±</td> <td>±</td> </tr> </table>			MM	INCH	4 PLACES			±	±	3 PLACES	±	±	2 PLACES	±	±	1 PLACE	±	±	0 PLACES	±	±	EC NO: 618242 DRWN: AKUMAR19 2019/03/11 CHK'D: GGA 2020/02/28 APPR: GGA 2020/02/28	
	MM	INCH																							
4 PLACES	±	±																							
3 PLACES	±	±																							
2 PLACES	±	±																							
1 PLACE	±	±																							
0 PLACES	±	±																							
GENERAL TOLERANCES (UNLESS SPECIFIED)		ANGULAR TOL ± 3.0°		INITIAL REVISION:				DOCUMENT NUMBER																	
10 ^{UNDER}	±0.2			DRWN: S.AIHARA 1989/09/21				SD-51065-004																	
10 ^{OVER} 30 ^{UNDER}	±0.25			APPR: M.ENOMOTO 1990/01/18				PSD	001																
30 ^{OVER}	±0.3	DRAFT WHERE APPLICABLE MUST REMAIN WITHIN DIMENSIONS		THIRD ANGLE PROJECTION		DRAWING	SERIES	MATERIAL NUMBER	CUSTOMER																
						A3-SIZE	51065	SEE TABLE	GENERAL MARKET																
DOCUMENT STATUS		P1	RELEASE DATE	2020/02/28	02:32:54	SHEET NUMBER		2 OF 2																	

10 9 8 7 6 5 4 3 2 1

F

HEADER HOUSING ASSEMBLY
53254SERIES



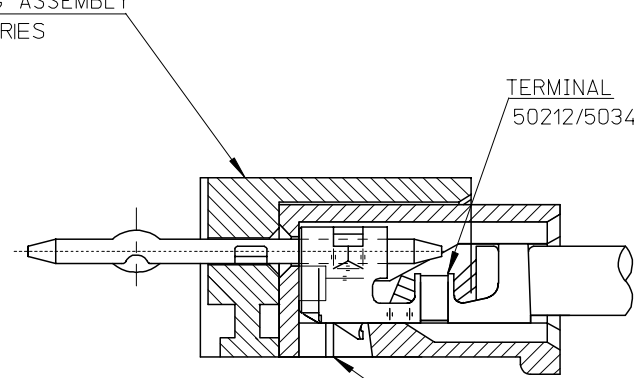
TERMINAL
50212/50346 SERIES

RECEPTACLE HOUSING
51065 SERIES

51065シリーズ/53254シリーズ 嵌合状態図 参考
51065 SERIES/53254 SERIES MATED DRAWING (REF.)

F

HEADER HOUSING ASSEMBLY
53253SERIES



TERMINAL
50212/50346 SERIES

RECEPTACLE HOUSING
51065 SERIES

51065シリーズ/53253シリーズ 嵌合状態図 参考
51065 SERIES/53253 SERIES MATED DRAWING (REF.)

E

E

D

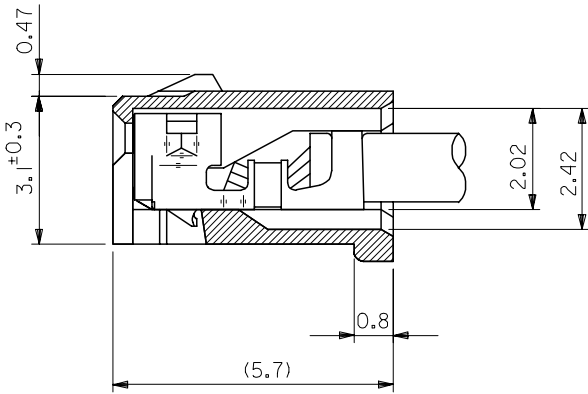
D

C

C

B

B



ターミナル装着状態図
TERMINAL ASS'Y DWG.

RELEASED EC NO: J2008-2041 DRWN: AOYAGI 2007/11/21 CHKD: THARUYAMA 2007/11/22 APPR: NUKITA 2007/11/22	GENERAL TOLERANCES (UNLESS SPECIFIED)		DIMENSION STYLE MM ONLY	SCALE 10:1	DESIGN UNITS METRIC	THIRD ANGLE PROJECTION
	10 UNDER	±0.2	DRAWN BY Y. AOYAGI	DATE 2007/11/13	TITLE NEW 2.0 W/B CONN. 51065/53253OR51065/53254	
	10 OVER 30 UNDER	±0.25	CHECKED BY N. UKITA	DATE 2007/11/13	MOLEX INCORPORATED DOCUMENT NO. SD-51065-006 SHEET NO. 1 OF 1	
	30 OVER	±0.3	APPROVED BY N. UKITA	DATE 2007/11/13		
	ANGULAR	±1 °	MATERIAL NO.		SEE TABLE	
DRAFT WHERE APPLICABLE MUST REMAIN WITHIN DIMENSIONS		SIZE A3	THIS DRAWING CONTAINS INFORMATION THAT IS PROPRIETARY TO MOLEX INCORPORATED AND SHOULD NOT BE USED WITHOUT WRITTEN PERMISSION			