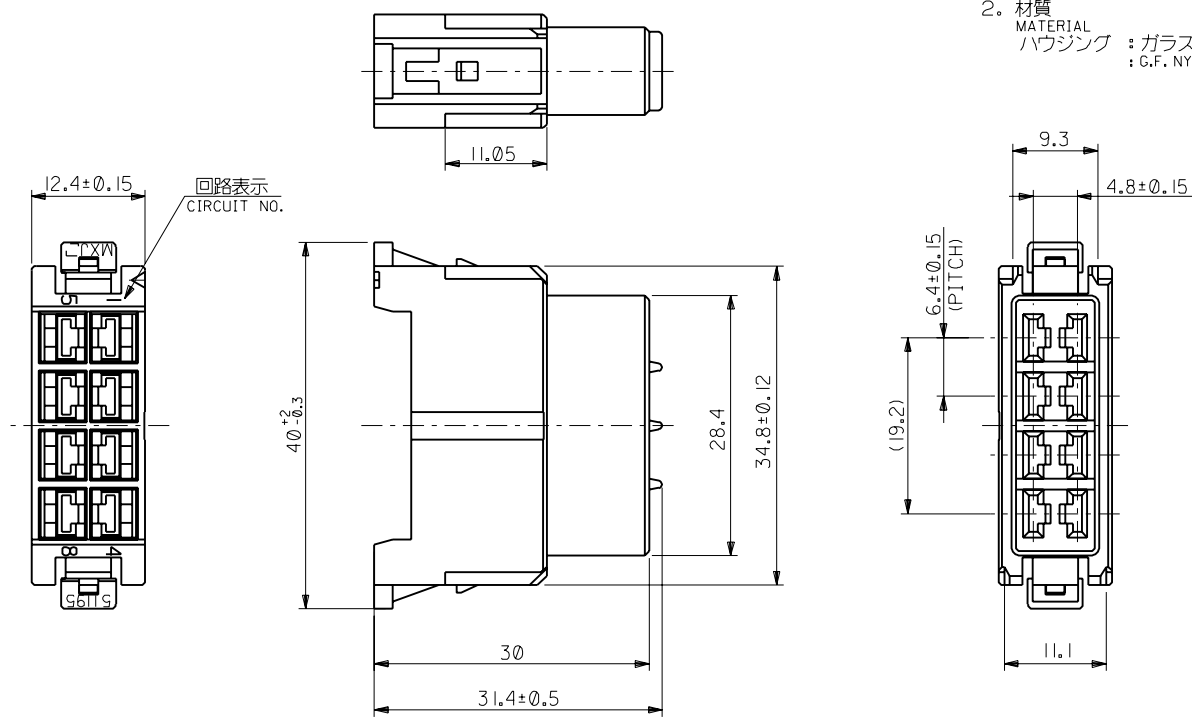


DWG. NO. SD-51195-002

注記
NOTES.

- 適合ターミナル : 50637-0*49 (被覆外径 ϕ 2.8~ ϕ 3.8)
: 59319-0*90 (被覆外径 ϕ 2.2~ ϕ 2.7)
APPLICABLE TERMINAL : 50637-0*49 (INSULATION DIAMETER ϕ 2.8~ ϕ 3.8)
: 59319-0*90 (INSULATION DIAMETER ϕ 2.2~ ϕ 2.7)
- 材質
MATERIAL
ハウジング : ガラス入りナイロン66 UL94V-0 色 : 自然色
: G.F. NYLON UL94V-0 COLOR : NATURAL



DO NOT SCALE DRAWING

EC NO. DRWN: CHK: APPR:	EC NO. DRWN: CHK: APPR:	REVISED '99/03/25 EC NO. JD91284 DRWN: S.SAKIYAMA CHK: YO.ITO APPR: H.IKESUGI	REVISED '98/12/23 EC NO. JD90894 DRWN: Y.TETSUKA CHK: SAKIYAMA/YO.ITO APPR: H.IKESUGI	RELEASED '98/9/9 EC NO. JD90376 DRWN: J.MIYAZAWA CHK: YO.ITO APPR: H.IKESUGI	MATERIAL 材料 #	GENERAL TOLERANCES: (UNLESS SPECIFIED) 一般公差	SCALE 2-1	DESIGN UNITS <input checked="" type="checkbox"/> mm <input type="checkbox"/> INCH	THIRD ANGLE PROJECTION	DIMENSIONS: <input type="checkbox"/> mm <input type="checkbox"/> INCH <input checked="" type="checkbox"/> mm ONLY	SHT	REV			
					FINISH 仕上げ		10 UNDER 未満	+0.2		DRAWN BY & DATE Y. Ito '98/9/9	TITLE: POWER CONN. 8P SOCKET HOUSING	REVISIONS REVISE ON CAD ONLY			
WIRE RANGE 適用線径範囲	INS. RANGE 被覆外径	REV	DESCRIPTION	REV	MATERIAL	GENERAL TOLERANCES: (UNLESS SPECIFIED) 一般公差	10 OVER 以上	30 UNDER 未満	+0.25	CHECKED BY & DATE Y. Ito	APPROVED BY & DATE H. Ito		MATERIAL NO. SEE CHART	DRAWING NO. SD-51195-002	SHEET NO. 1 OF 1
							30 OVER 以上	+0.3	MATERIAL NO. SEE CHART	DRAWING NO. SD-51195-002	SHEET NO. 1 OF 1				
							ANGLE 角度	+3°		THIS DRAWING CONTAINS INFORMATION THAT IS PROPRIETARY TO MOLEX INCORPORATED AND SHOULD NOT BE USED WITHOUT WRITTEN PERMISSION.			SIZE B		

51195-0800	51195-0800
MATERIAL NO	MODEL NO

DIMENSIONS:	SHT	REV
<input type="checkbox"/> mm <input type="checkbox"/> INCH <input checked="" type="checkbox"/> mm ONLY		REVISE ON CAD ONLY

MOLEX INCORPORATED