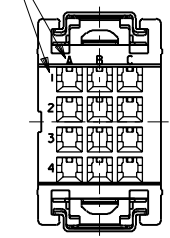
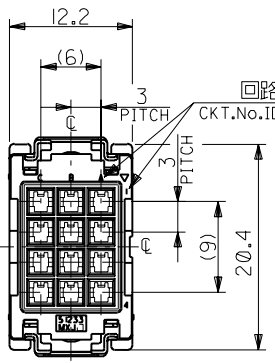
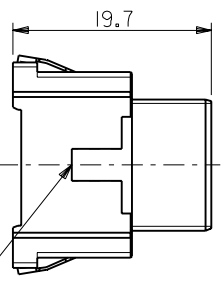


回路番号表示
CKT.No. IDENTIFICATION



電線挿入側
WIRE SIDE

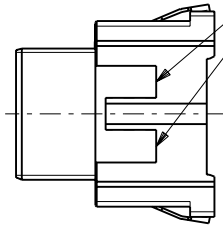
シエル挿入方向キー
POLARIZATIONS KEY FOR SHELL



嵌合側
MATING SIDE

回路番号表示
CKT.No. IDENTIFICATION

シエル挿入方向キー
POLARIZATIONS KEY FOR SHELL



注記
NOTES

- 材質
MATERIAL
①ハウジング：ガラス入りPBT樹脂
HOUSING : PBT G.F.
UL94V-0 色：黒
UL94V-0 COLOR : BLACK
②スプリング：ステンレス鋼 t0.3
SPRING : STAINLESS STEEL t0.3
- 適用端子：56116-8*90 , 56117-8*90
56118-8*90 , 56119-8*90
APPLICABLE CRIMP PIN : 56116-8*90 , 56117-8*90
56118-8*90 , 56119-8*90
- 適用リセプタクル シエル：56377-12**
APPLICABLE RECEPTACLE SHELL : 56377-12**
- 嵌合相手：51239-120*
MEET WITH : 51239-120*

<誤嵌合防止キー（極性）タイプ> <POLARITY KEY TYPE>

51233-1211	51233-1212	51233-1213	51233-1214	51233-1215
STANDARD TYPE	A TYPE	B TYPE	C TYPE	D TYPE

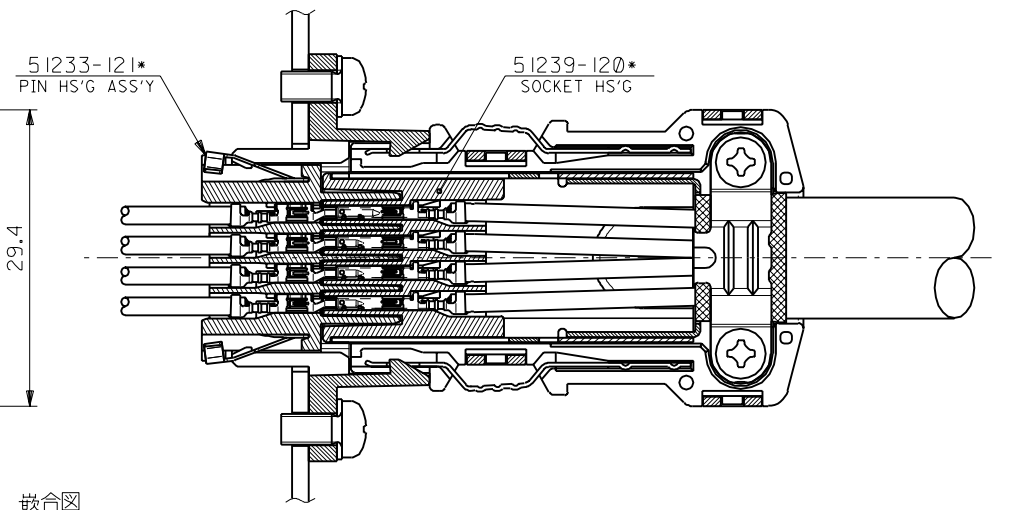
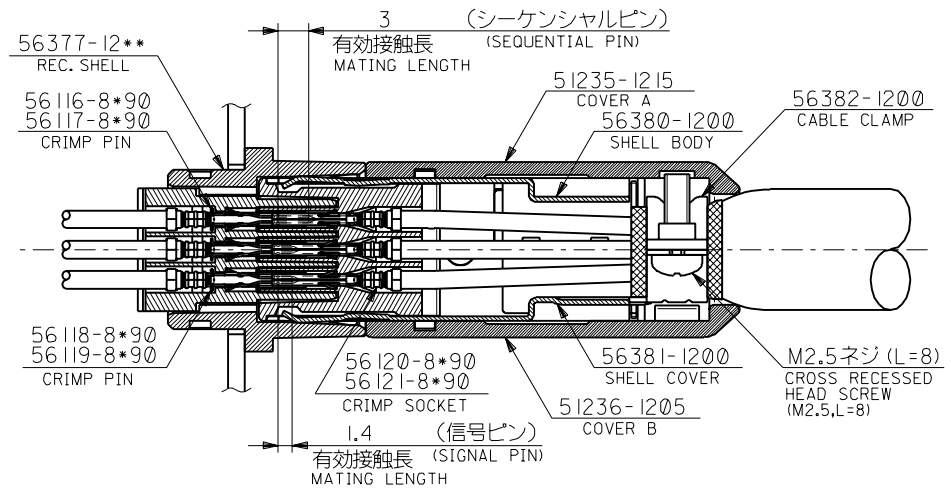
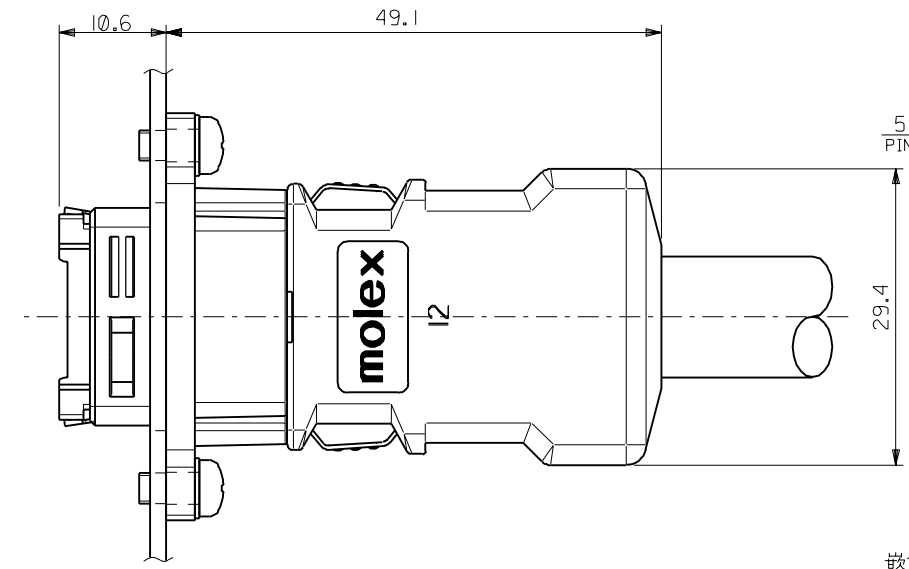
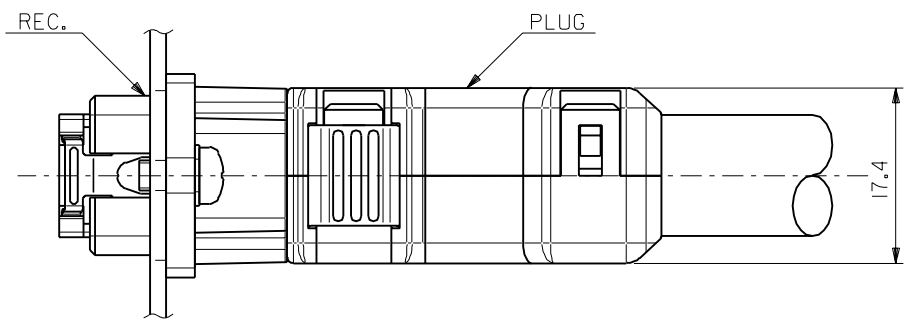
A-2	D	51233-1215	51233-**1*	12
C-3	C	51233-1214		
B-3	B	51233-1213		
B-2	A	51233-1212		
—#—	STANDARD	51233-1211		
POLARITY POSITION (CIRCUIT No.)	POLARITY TYPE	MATERIAL No.	MODEL No.	CIRCUIT

DO NOT SCALE DRAWING

EC NO. DRWN: CHK: APPR:	EC NO. DRWN: CHK: APPR:	EC NO. DRWN: CHK: APPR:	REVISED 01/10/04 EC NO. J2002-0786 DRWN: S.AKIYAMA CHK: J.MIYAZAWA APPR: YO.ITO	RELEASED 01/02/16 EC NO. JD2001-1040 DRWN: S.AKIYAMA CHK: J.MIYAZAWA APPR: H.IKESUGI	MATERIAL 材料 注記参照 SEE NOTES	GENERAL TOLERANCES: (UNLESS SPECIFIED) 一般公差	SCALE 2-1	DESIGN UNITS mm INCH	THIRD ANGLE PROJECTION	DIMENSIONS: mm INCH	SHT	REV
			A	0		10 UNDER 未満 ±0.2		mm INCH	mm ONLY	mm ONLY		
						10 OVER 30 UNDER 未満 ±0.25	DRAWN BY & DATE S. Akiyama 01/01/25			TITLE: COMPACT ROBOT CONN. (CRC) REC. PIN HS'G ASS'Y		
						30 OVER 以上 ±0.3	CHECKED BY & DATE J. Miyazawa / Y. Ito					
						ANGLE 角度 ±3°	APPROVED BY & DATE Yo. Ito			MOLEX INCORPORATED		
							CAD FILE NAME 51233007.S01			MATERIAL NO. SEE CHART	DRAWING NO. SD-51233-007	SHEET NO. 1 OF 4
												SIZE B

THIS DRAWING CONTAINS INFORMATION THAT IS PROPRIETARY TO MOLEX INCORPORATED AND SHOULD NOT BE USED WITHOUT WRITTEN PERMISSION.

DWG. NO. SD-51233-007

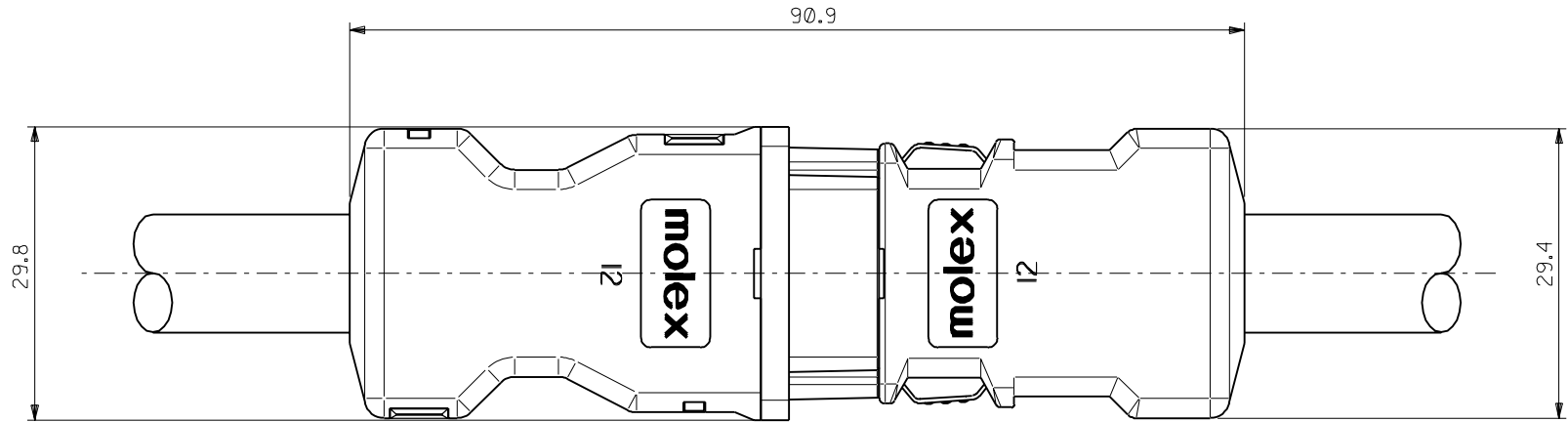
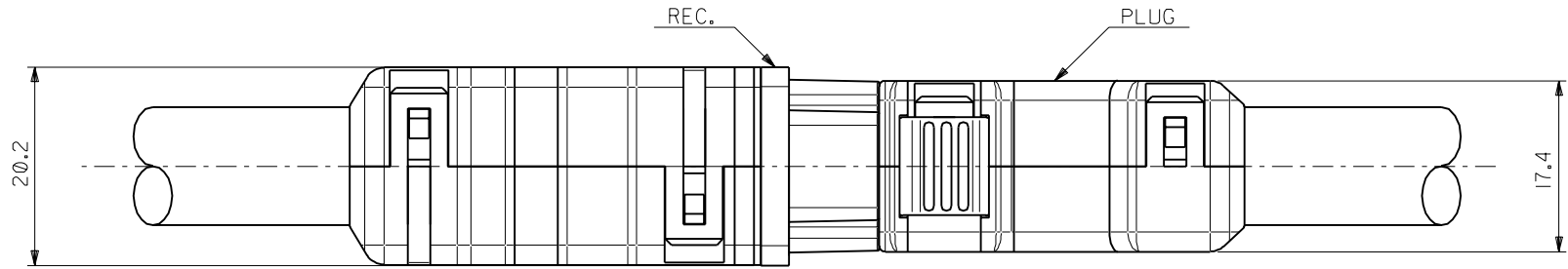


嵌合図
CROSS-SECTION VIEW OF MATED CONNECTOR

DO NOT SCALE DRAWING

EC NO. DRWN: CHK: APPR:	EC NO. DRWN: CHK: APPR:	EC NO. DRWN: CHK: APPR:	REVISED 01/10/04	MATERIAL 材料	GENERAL TOLERANCES: (UNLESS SPECIFIED) 一般公差	SCALE 2-1	DESIGN UNITS mm □ mm □ INCH	THIRD ANGLE PROJECTION	DIMENSIONS: mm □ mm □ INCH □ mm ONLY	SHT REVISE ON CAD ONLY	REV
			EC NO. J2002-0786 DRWN: S.AKIYAMA CHK: J.MIYAZAWA APPR: YO.IITO								
A	Ø	Ø	RELEASED 01/02/16	WIRE RANGE 適用線径範囲	10 OVER 以上	30 UNDER 未満	±0.25	CHECKED BY & DATE <i>J. Mizuno</i> / 3.06	MATERIAL NO. SEE CHART	DRAWING NO. SD-51233-007	SHEET NO. 2 OF 4
			EC NO. JD2001-1040 DRWN: S.AKIYAMA CHK: J.MIYAZAWA APPR: H.IKESUGI								
					ANGLE 角度		±3°	CAD FILE NAME 51233007.S02	MATERIAL NO. SEE CHART	DRAWING NO. SD-51233-007	SHEET NO. 2 OF 4

THIS DRAWING CONTAINS INFORMATION THAT IS PROPRIETARY TO MOLEX INCORPORATED AND SHOULD NOT BE USED WITHOUT WRITTEN PERMISSION.



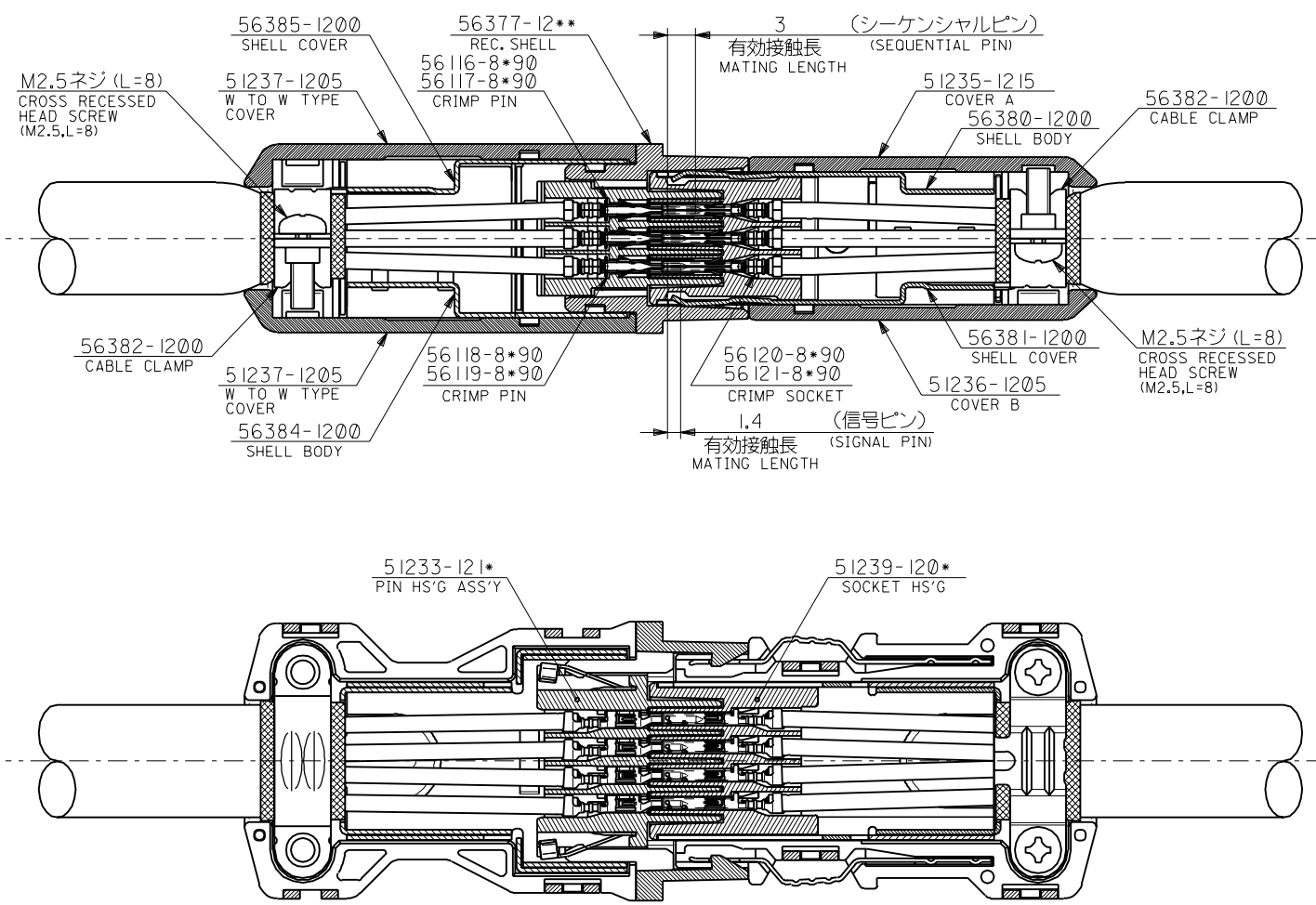
嵌合図 (中継タイプ)
CROSS-SECTION VIEW OF MATED CONNECTOR
(WIRE TO WIRE TYPE)

DO NOT SCALE DRAWING

EC NO. DRWN: CHK: APPR:	EC NO. DRWN: CHK: APPR:	EC NO. DRWN: CHK: APPR:	REVISED 01/10/04	MATERIAL 材料	GENERAL TOLERANCES: (UNLESS SPECIFIED) 一般公差	SCALE	DESIGN UNITS	THIRD ANGLE PROJECTION	DIMENSIONS:		SHT	REV
			EC NO. J2002-0786 DRWN: S.AKIYAMA CHK: J.MIYAZAWA APPR: YO.ITO			10 UNDER 未滿	2-1		<input type="checkbox"/> mm <input type="checkbox"/> INCH	<input type="checkbox"/> mm <input type="checkbox"/> mm	<input checked="" type="checkbox"/> mm ONLY	
A	0	0	RELEASED 01/02/16	注記参照 SEE NOTES	10 OVER 30 UNDER 以上 未滿	±0.2	<input checked="" type="checkbox"/> mm <input type="checkbox"/> INCH	TITLE:	COMPACT ROBOT CONN. (CRC) REC. PIN HS'G ASS'Y			
			EC NO. JD2001-1040 DRWN: S.AKIYAMA CHK: J.MIYAZAWA APPR: H.IKESUGI	FINISH 仕上げ	30 OVER 以上	±0.25	DRAWN BY & DATE <i>S. Akizawa</i> / 01/25	CHECKED BY & DATE <i>J. Miyazawa</i> / 2/10	MOLEX INCORPORATED			
				WIRE RANGE 適用電線範囲	ANGLE 角度	±0.3	APPROVED BY & DATE <i>Yo.Ito</i>	CAD FILE NAME 51233007.S03	MATERIAL NO. SEE CHART	DRAWING NO. SD-51233-007	SHEET NO. 3 OF 4	SIZE B
				INS. RANGE 被覆外径		±3°	THIS DRAWING CONTAINS INFORMATION THAT IS PROPRIETARY TO MOLEX INCORPORATED AND SHOULD NOT BE USED WITHOUT WRITTEN PERMISSION.					EN-02J(097) MXJ-54

51233007.S03

DWG. NO.
SD-51233-007



嵌合図 (中継タイプ)
CROSS-SECTION VIEW OF MATED CONNECTOR
(WIRE TO WIRE TYPE)

DO NOT SCALE DRAWING

EC NO. DRWN: CHK: APPR:	EC NO. DRWN: CHK: APPR:	EC NO. DRWN: CHK: APPR:	REVISED 01/10/04	MATERIAL 材料	GENERAL TOLERANCES: (UNLESS SPECIFIED) 一般公差	SCALE 2-1	DESIGN UNITS <input checked="" type="checkbox"/> mm <input type="checkbox"/> INCH	THIRD ANGLE PROJECTION <input type="checkbox"/> mm <input checked="" type="checkbox"/> INCH	DIMENSIONS: <input type="checkbox"/> mm <input type="checkbox"/> INCH <input checked="" type="checkbox"/> mm ONLY	SHT REVISE ON CAD ONLY	REV
			EC NO. J2002-0786 DRWN: S.AKIYAMA CHK: J.MIYAZAWA APPR: Y.O.IITO								
A	0		RELEASED 01/02/16	FINISH 仕上げ	10 OVER 以上	30 UNDER 未満	±0.25	APPROVED BY & DATE <i>J. Mizawa</i> / 3.06	MATERIAL NO. SEE CHART	DRAWING NO. SD-51233-007	SHEET NO. 4 OF 4
			EC NO. JD2001-1040 DRWN: S.AKIYAMA CHK: J.MIYAZAWA APPR: H.IKESUGI								
				WIRE RANGE 適用線径範囲	—	30 OVER 以上	±0.3	CAD FILE NAME 51233007.S04			
				INS. RANGE 被覆外径	—	ANGLE 角度	±3°	THIS DRAWING CONTAINS INFORMATION THAT IS PROPRIETARY TO MOLEX INCORPORATED AND SHOULD NOT BE USED WITHOUT WRITTEN PERMISSION.			SIZE B